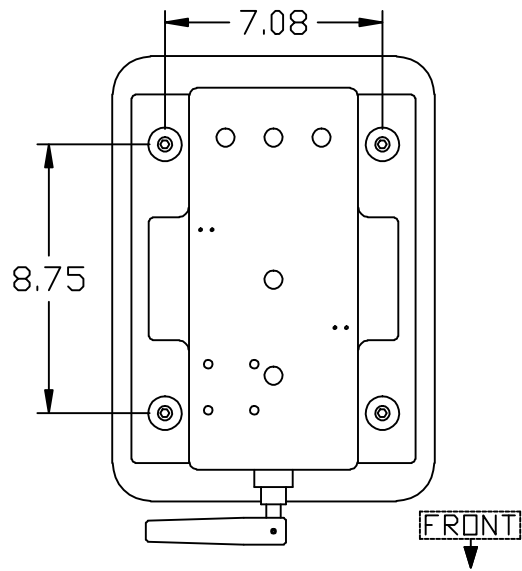
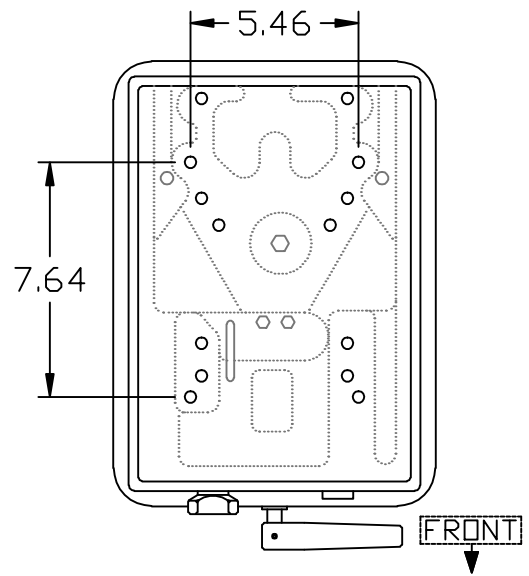


# Compact Mechanical Suspension

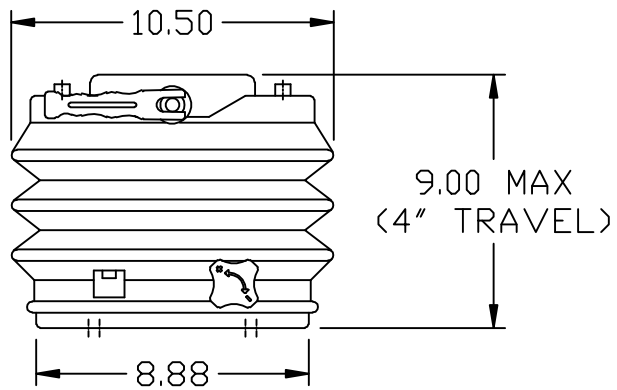
## Top View



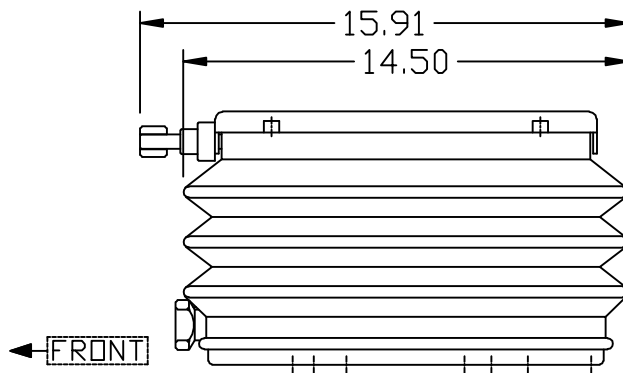
## Bottom View

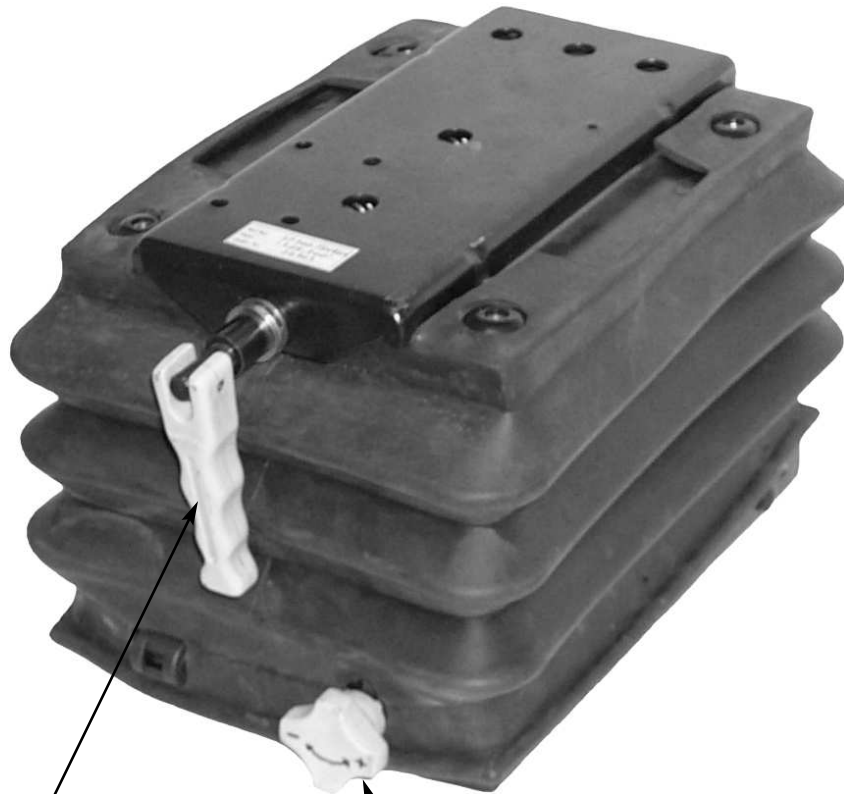


## Front View



## Side View





**Weight Control**

Turn knob to obtain desired firmness of suspension.

*Note: Weight must be applied to the suspension to turn mechanical knobs*

**Height Adjustment**

Turn knob to raise or lower the height of the suspension.