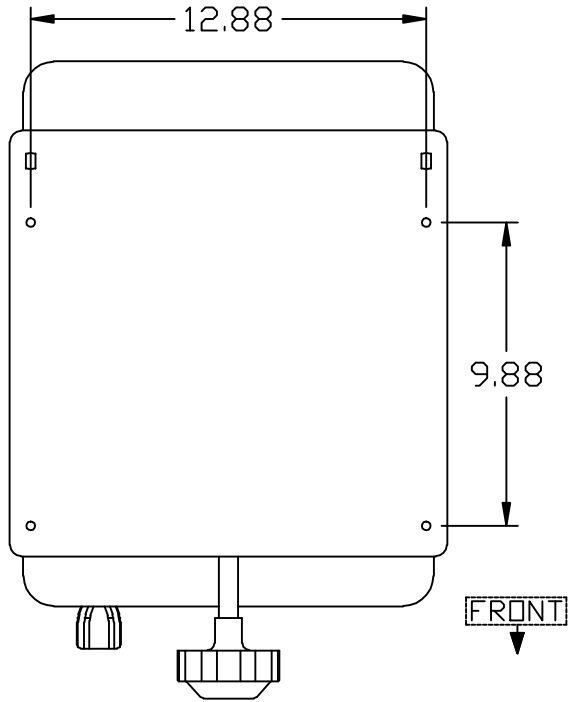
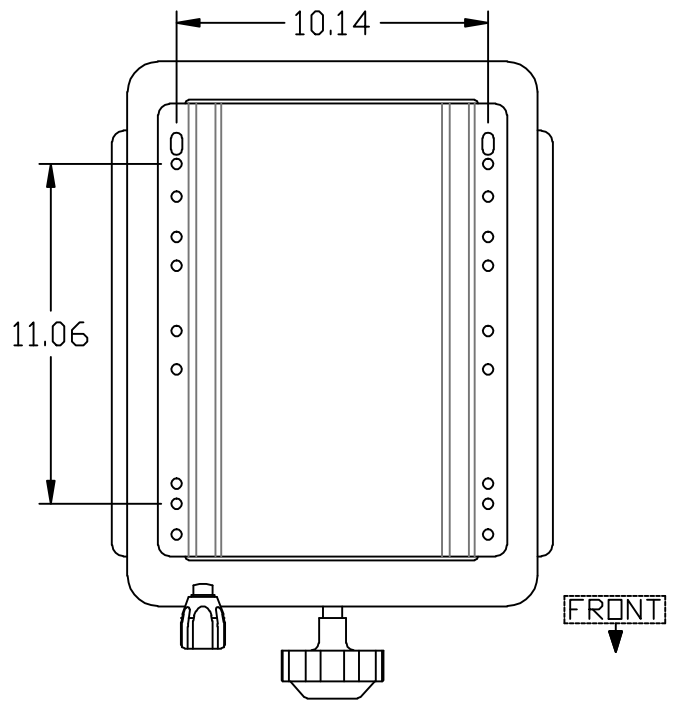


Deluxe Mechanical Suspension

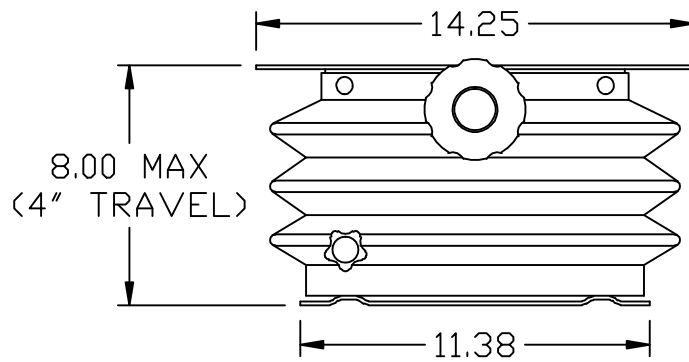
Top View



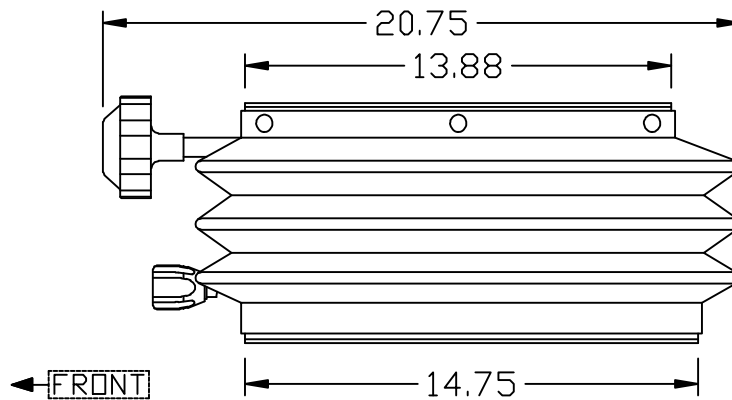
Bottom View



Front View



Side View



Operation Guide

Deluxe Mechanical Suspension

Weight Control
Turn knob to obtain desired firmness of suspension.
Note: Weight must be applied to the suspension to turn mechanical knobs



Height Adjustment
Turn knob to raise or lower the height of the suspension.