

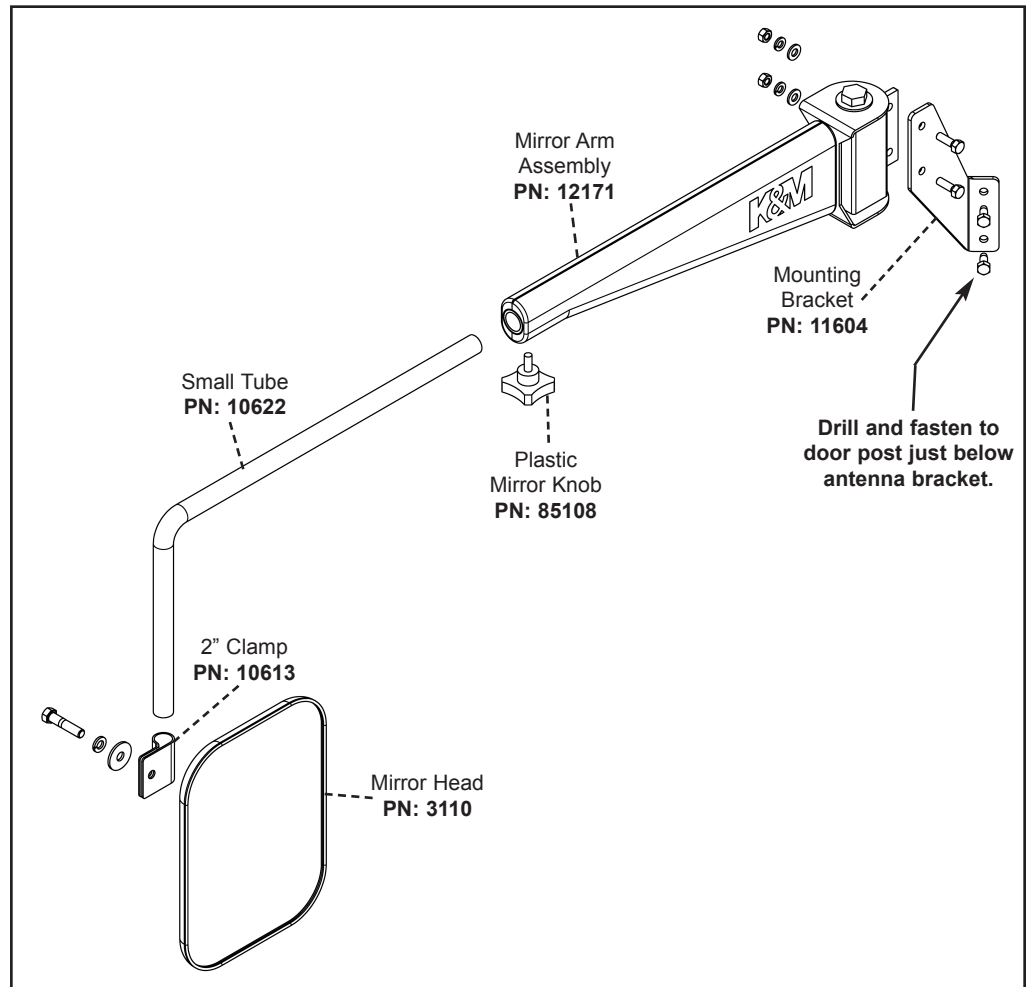
Installation Guide

John Deere 60/70 4WD Series Mirror - Left Side (PN: 3136)

Fits:

8560, 8760, 8950, 8570, 8770, 8870 & 8970 Series

1. Use the **mounting bracket** as a template and mark the two holes on the door post below the antenna bracket.
2. Drill two 17/64" holes and fasten the **mounting bracket** with two 5/16" x 3/4" self-threaded bolts.
3. Fasten the **mirror arm assembly** to the **mounting bracket** with two 5/16" x 1" full thread bolts, flat washers, lock washers and nuts.
4. Insert the **small tube** into the **mirror arm assembly** and secure with the **plastic mirror knob**.
5. Fasten the **mirror head** to the **small pipe** with the **2" clamp** and included hardware.



Note!

Do not overtighten the plastic mirror knob in step 4.

Installation Guide

John Deere 60/70 4WD Series Mirror - Right Side (PN: 3137)

Fits:

8560, 8760, 8960, 8570, 8770, 8870 & 8970 Series

1. Remove two screws from the rubber molding above the right-side window.

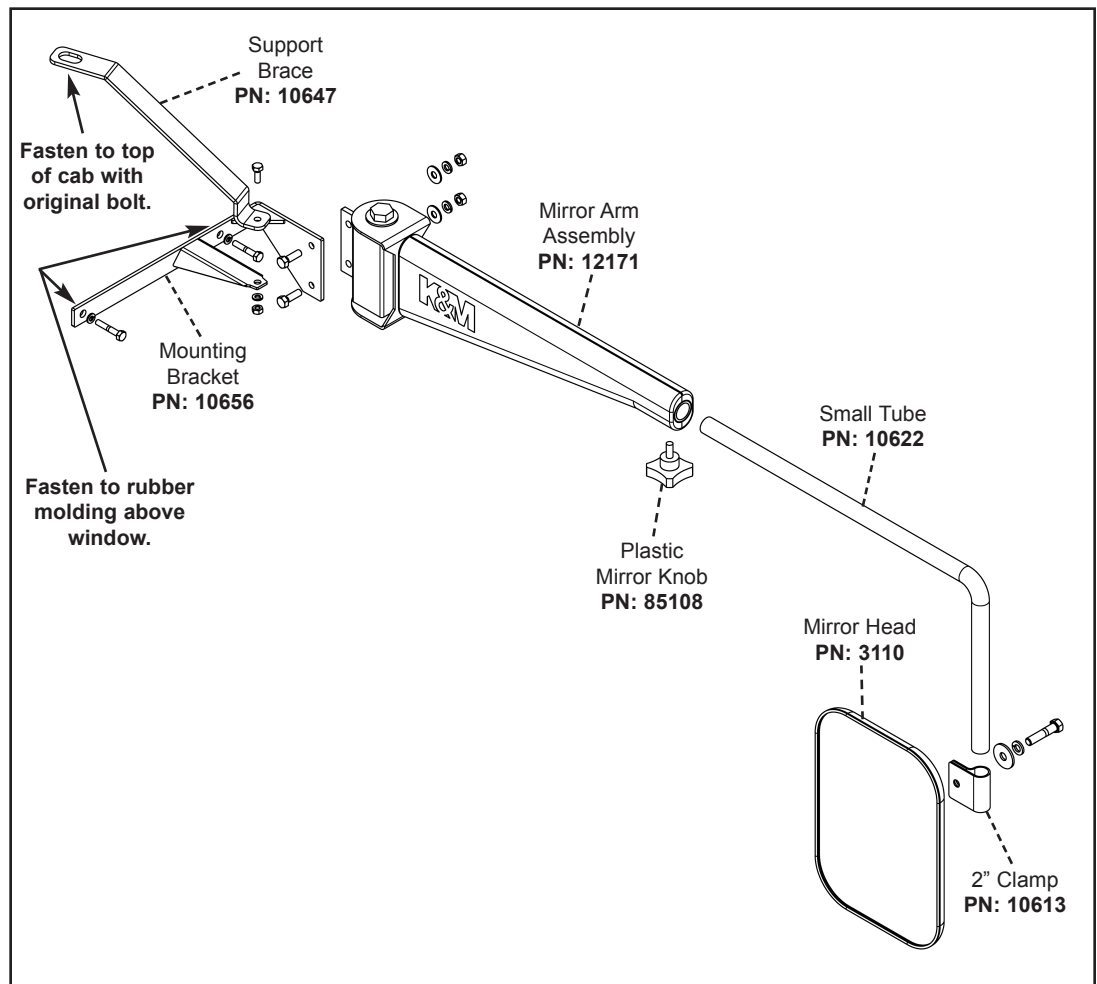
2. Attach the mounting bracket using two 1/4" x 1 1/2" bolts and lock washers.

3. Remove the 5/8" bolt from the top of the cab and attach the large end of the support brace using the original bolt.

4. Fasten the opposite end of the support brace to the support tab of the mounting bracket using a 1/4" x 3/4" bolt, lock washer and nut.

5. Fasten the **mirror arm assembly** to the **mounting bracket** with two 5/16" x 1" full thread bolts, flat washers, lock washers and nuts.

6. Insert the **small tube** into the **mirror arm assembly** and secure with the **plastic mirror knob**.



Note!

Do not overtighten the plastic knob.

7. Fasten the **mirror head** to the **small pipe** with the **2" clamp** and included hardware.