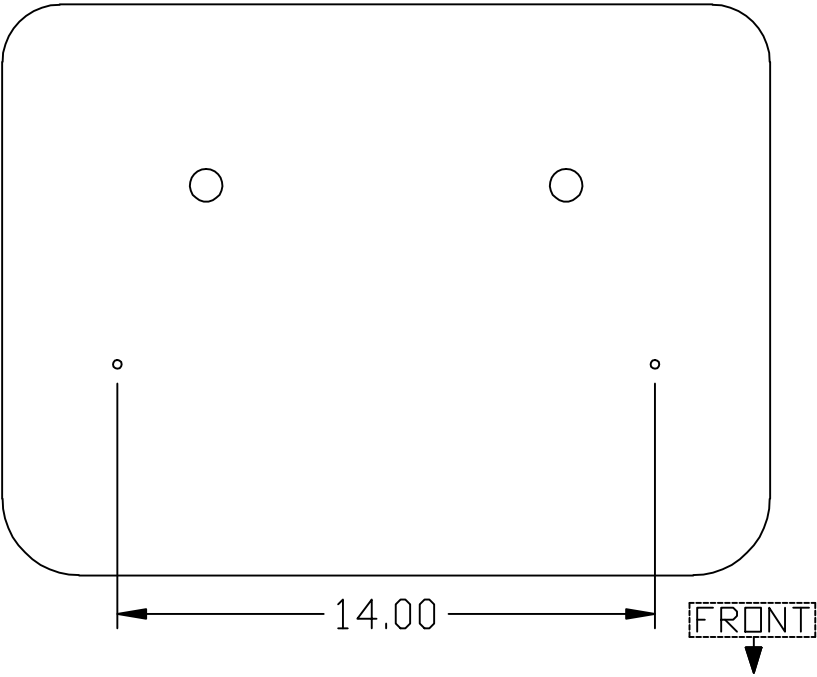
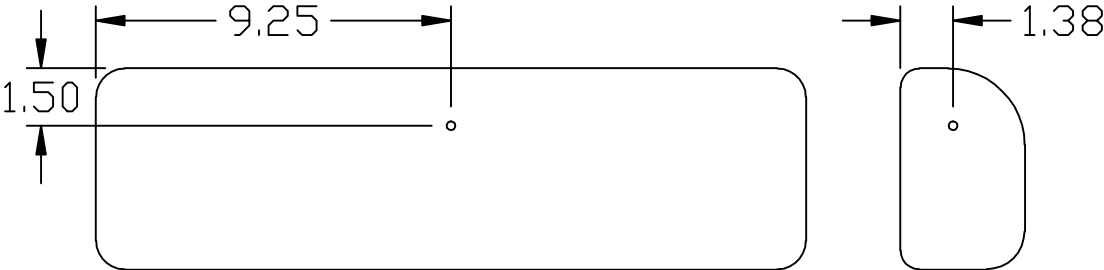


# Case 520

## Seat Bolt Pattern



## Backrest Bolt Pattern



# Case 520

## Original Assembly Diagram

