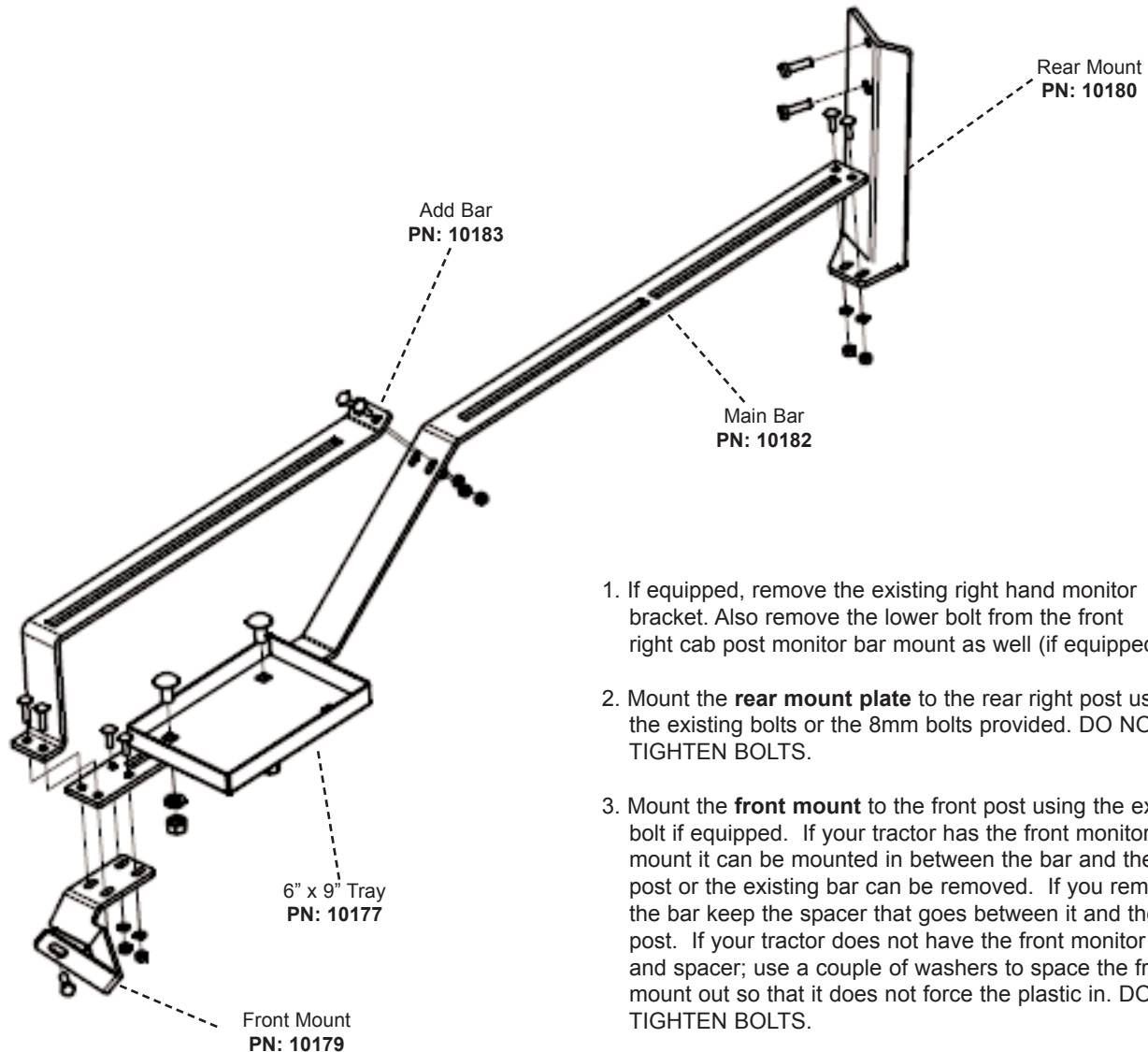


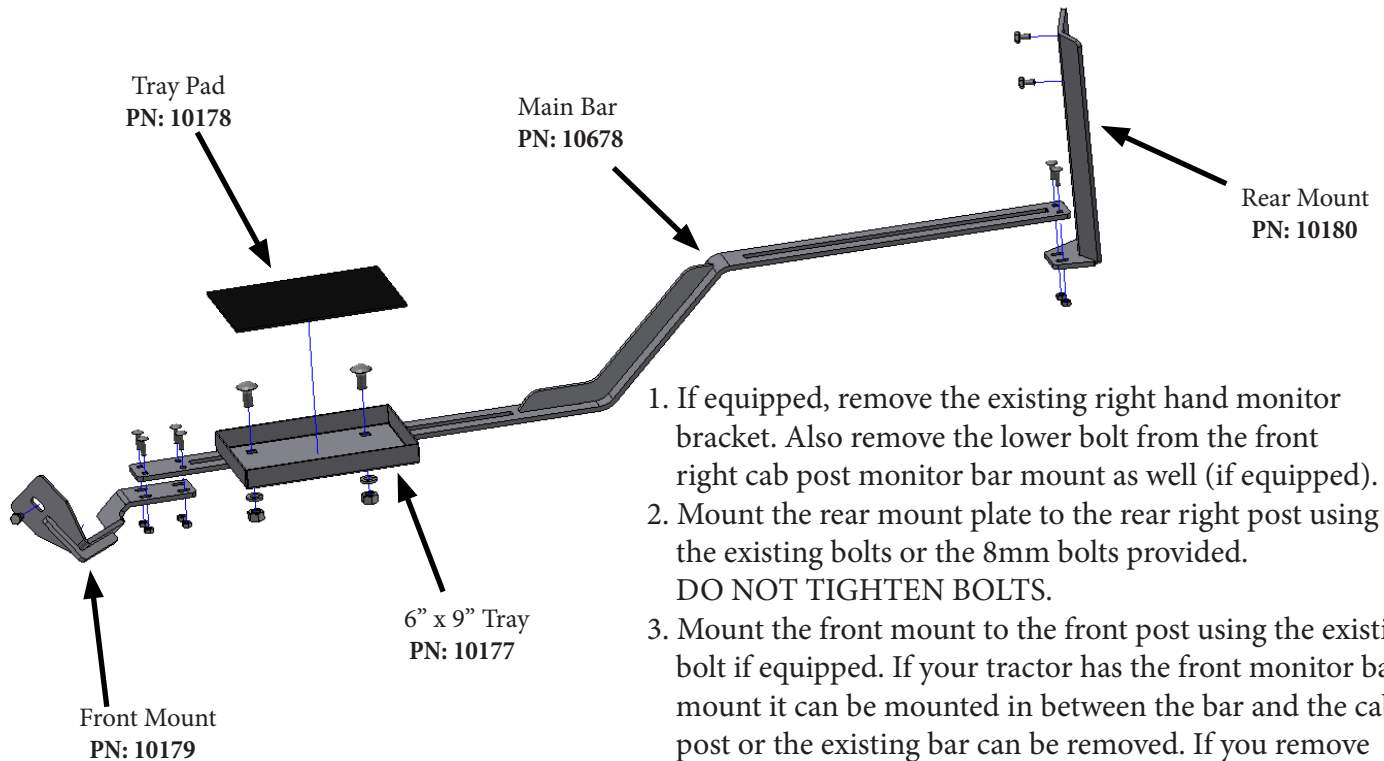
Installation Guide 3178

CIH MX/Magnum/Tier 4 Monitor Bracket



1. If equipped, remove the existing right hand monitor bracket. Also remove the lower bolt from the front right cab post monitor bar mount as well (if equipped).
2. Mount the **rear mount plate** to the rear right post using the existing bolts or the 8mm bolts provided. **DO NOT TIGHTEN BOLTS.**
3. Mount the **front mount** to the front post using the existing bolt if equipped. If your tractor has the front monitor bar, mount it can be mounted in between the bar and the cab post or the existing bar can be removed. If you remove the bar keep the spacer that goes between it and the cab post. If your tractor does not have the front monitor bar, and spacer; use a couple of washers to space the front mount out so that it does not force the plastic in. **DO NOT TIGHTEN BOLTS.**
4. Mount the **main bar** to the **front and rear mounts** using two 1/4" x 3/4" carriage bolts and lock nuts on the **rear mount** and two 1/4" x 3/4" bolts and lock nuts on the back two holes of the **front mount**. **DO NOT TIGHTEN.**
5. Mount the **add bar** to the **main bar** using 1/4" x 1" carriage bolts and lock nuts on the front holes and 1/4" x 3/4" bolts and lock nuts on the rear holes.
6. Place the tray in desired location and fasten using the 1/2" x 1-1/4" bolts, lock washers, and nuts.
7. Tighten all hardware.

Installation instructions for CIH/Magnum/Tier 4 Monitor Bracket 2014



1. If equipped, remove the existing right hand monitor bracket. Also remove the lower bolt from the front right cab post monitor bar mount as well (if equipped).
2. Mount the rear mount plate to the rear right post using the existing bolts or the 8mm bolts provided.
DO NOT TIGHTEN BOLTS.
3. Mount the front mount to the front post using the existing bolt if equipped. If your tractor has the front monitor bar, mount it can be mounted in between the bar and the cab post or the existing bar can be removed. If you remove the bar keep the spacer that goes between it and the cab post. If your tractor does not have the front monitor bar, and spacer; use a couple of washers to space the front mount out so that it does not force the plastic in.
DO NOT TIGHTEN BOLTS.
4. Mount the main bar using two 1/4" x 3/4" carriage bolts and lock nuts on the rear mount and four 1/4" x 3/4" bolts and lock nuts on front mount.
DO NOT TIGHTEN.
5. Place the tray in desired location and fasten using the 1/2" x 1-1/4" bolts, lock washers, and nuts.
6. Tighten all hardware.