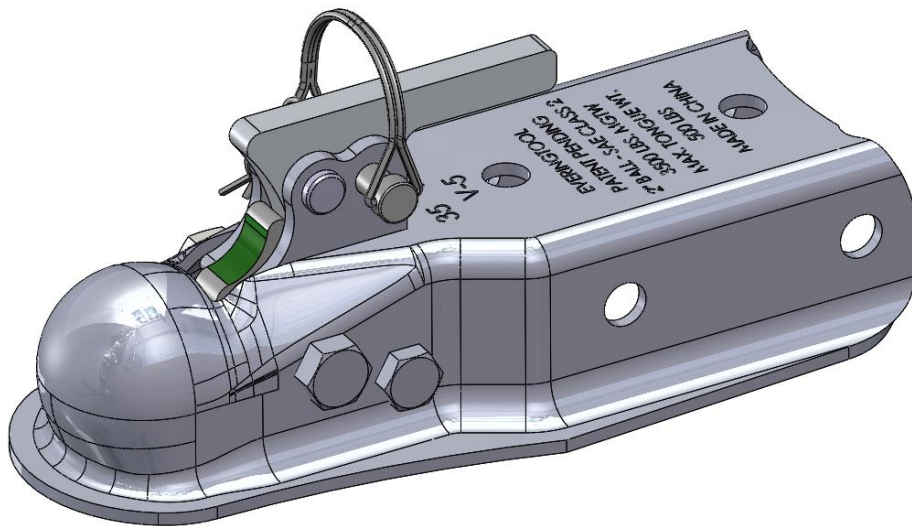




Auto Locking Trailer Coupler

3500 Lb. Capacity

Owner's Manual



⚠ WARNING: Read carefully and understand all ASSEMBLY AND OPERATION INSTRUCTIONS before operating. Failure to follow the safety rules and other basic safety precautions may result in serious personal injury.

Item #54605

SAVE THESE INSTRUCTIONS

Thank you very much for choosing an Ultra-Tow™ product!

For future reference, please complete the owner's record below:

Serial Number/Lot Date Code: _____

Purchase Date: _____

Save the receipt, warranty, and this manual. It is important that you read the entire manual to become familiar with this product before you begin using it.

This coupler is designed for certain applications only. Northern Tool and Equipment is not responsible for issues arising from modification or improper use of this product such as an application for which it was not designed. We strongly recommend that this product not be modified and/or used for any application other than that for which it was designed.

For technical questions, please call **1-800-222-5381**.

Table of Contents

Intended Use.....	4
Technical Specifications	4
Important Safety Information	4
Specific Operation Warnings	5
Towing.....	6
Installation Instruction.....	6
Before Each Use.....	6
Operating Instructions.....	6
After Each Use.....	9
Maintenance	10
Troubleshooting.....	10
Parts Diagram.....	11
Parts List.....	12
Replacement Parts	12
Limited Warranty.....	13

Intended Use

This Ultra-Tow XTP Series Auto Locking Trailer Coupler features an auto-locking system with a steel lock assembly. The secondary lock has a safety clip designed to fit an off-the-shelf padlock without an adaptor. This coupler can be used with any 2" ball having a capacity rating equal to or higher than the coupler.

Technical Specifications

Property	Specification
Max. Gross Trailer Weight	1.75 ton (3,500 lb.)
Max. Vertical Load	0.25 ton (500 lb.)
Product Weight	5.0 lb.
Total Length	10.25"
Material	Steel
Coupler Width	3"
Hole Mount Spacing	1/2" Diameter – 3" Apart
Hitch Ball Diameter	2"
Max. Gross Trailer Weight	Stamped on Hitch Ball

Important Safety Information

⚠WARNING

- Read and understand all instructions. Failure to follow all instructions may result in serious injury or property damage.
- The warnings, cautions, and instructions in this manual cannot cover all possible conditions or situations that could occur. Exercise common sense and caution when using this tool. Always be aware of the environment and ensure that the tool is used in a safe and responsible manner.
- Do not allow persons to operate or assemble the product until they have read this manual and have developed a thorough understanding of how it works.
- Do not modify this product in any way. Unauthorized modification may impair the function and/or safety and could affect the life of the product. There are specific applications for which the product was designed.
- Use the right tool for the job. DO NOT attempt to force small equipment to do the work of larger industrial equipment. There are certain applications for which this equipment was designed. This product will be safer and do a better job at the capacity for which it was intended. DO NOT use this equipment for a purpose for which it was not intended.
- Industrial or commercial applications must follow OSHA requirements.

⚠WARNING

WORK AREA SAFETY

- Inspect the work area before each use. Keep work area clean, dry, free of clutter, and well lit. Cluttered, wet, or dark work areas can result in injury. Using the product in confined work areas may put you dangerously close to other cutting tools and rotating parts.

- Do not use the product where there is a risk of causing a fire or an explosion; e.g., in the presence of flammable liquids, gases, or dust. The product can create sparks, which may ignite the flammable liquids, gases, or dust.
- Do not allow the product to come into contact with an electrical source. The tool is not insulated and contact will cause electrical shock.
- Keep children and bystanders away from the work area while operating the tool. Do not allow children to handle the product.

⚠WARNING

PERSONAL SAFETY

- Stay alert, watch what you are doing, and use common sense when operating the tool. Do not use the tool while you are tired or under the influence of drugs, alcohol, or medication. A moment of inattention while operating the tool may result in serious personal injury.
- Dress properly. Do not wear loose clothing, dangling objects, or jewelry. Keep your hair, clothing and gloves away from moving parts. Loose clothes, jewelry, or long hair can be caught in moving parts. Air vents on the tool often cover moving parts and should be avoided.
- Wear the proper personal protective equipment when necessary. Use ANSI Z87.1 compliant safety goggles (not safety glasses) with side shields, or when needed, a face shield. Use a dust mask in dusty work conditions. Also use non-skid safety shoes, hardhat, gloves, dust collection systems, and hearing protection when appropriate. This applies to all persons in the work area.
- Do not overreach. Keep proper footing and balance at all times.

⚠CAUTION

COUPLER USE AND CARE

- Do not force the coupler. Products are safer and do a better job when used in the manner for which they are designed. Plan your work, and use the correct product for the job.
- Check for damaged parts before each use. Carefully check that the product will operate properly and perform its intended function. Replace damaged or worn parts immediately. Never operate the product with a damaged part.
- Store the product when it is not in use. Store it in a dry, secure place out of the reach of children. Inspect the tool for good working condition prior to storage and before re-use.
- Use only accessories that are recommended by the manufacturer for use with your product. Accessories that may be suitable for one product may create a risk of injury when used with another tool. Never use an accessory that has a lower operating speed or operating pressure than the tool itself.

Specific Operation Warnings

⚠WARNING

- Maintain adequate a vertical down (tongue) load to maintain control of the trailer (generally 10%) without exceeding the specified rated capacities.
- Other steps and inspections are also required Consult OSHA, D.O.T. regulations, and the American Trucking Association for complete coupling and uncoupling procedures.
- Check that the ball's load rating is the same as or greater than the coupler's load rating.
- ALWAYS use the safety chains.
- DO NOT use the top holes for mounting.

Towing

⚠WARNING

- For use with trailers and equipment designed for on-road towing within the stated capacities.

Installation Instruction

⚠WARNING

- Use a secure mounting structure of sufficient strength to support the rated capacity of the coupler in accordance with SAE J684.
- Bolt the coupler to the front of the trailer tongue, bolting through the coupler's side holes. Use 3/8" diameter grade fasteners (8), properly tightened (not included).
- Additional bolts may be used in top holes for extra strength, if desired.
- The recommended minimum torque is 37 ft-lbs (per SAE J429).

Before Each Use

⚠WARNING

- Inspect for proper operation.
- Inspect, in particular, the coupling area. Replace when the wear exceeds 1/8" (.125") from the original surface profile.
- Inspect for worn, damaged, and missing parts. Replace as required.

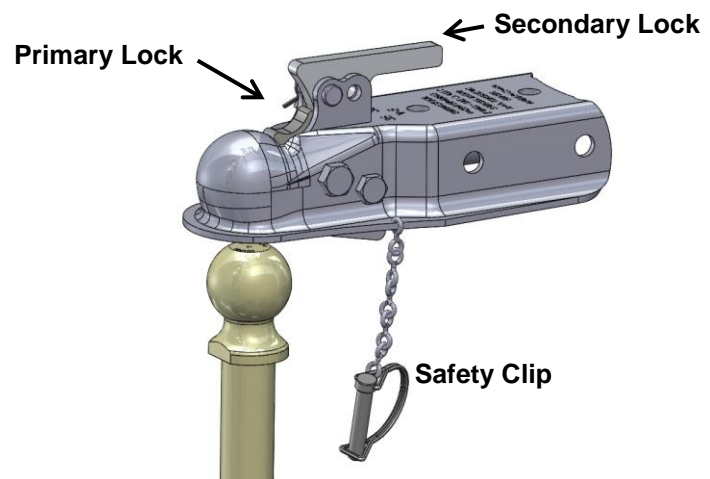
Operating Instructions

⚠WARNING

It is the user's responsibility to be sure the hitch tongue is capable of a 500 lb. vertical load and a 3,500 lb. gross trailer weight.

- Every time the coupler is used, make sure the ball is completely engaged in the socket and the coupler is securely locked. Failure to do so could result in a serious or fatal injury.
- Safety chains must be used in a criss-cross manner under the coupling allowing only enough slack for turns.
- Make sure all parked units are on a hard, level surface and all safety devices are engaged.
- Double check that all lights are installed and working properly.

Auto Lock Function



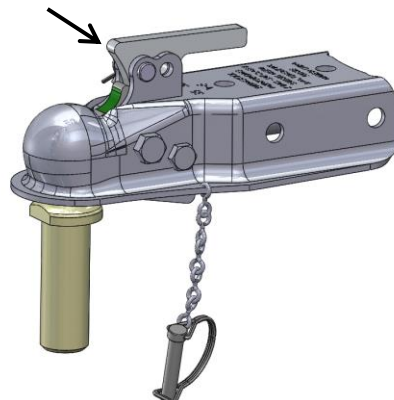
Unlocked Position

The illustration shown above is in the unlocked position. When the Primary Lock does not show green, the coupler is open.

Hitching Up

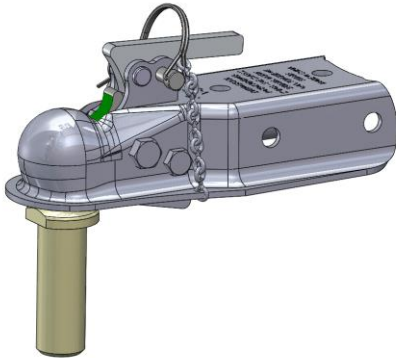
1. Before operating, inspect the unit for proper operation and for worn, damaged, or missing parts.
2. Unlock the coupler by removing the safety pin and insuring that the Primary Lock does not show the color green, indicating the coupler is still open (greens means it's locked).
3. Back the vehicle up to the trailer until the 2" ball is located under the trailer hitch (as shown above).
4. As you lower the trailer hitch onto the ball, the Primary Lock and the Secondary Lock will shift to the locked position, as shown below.

Green means LOCKED



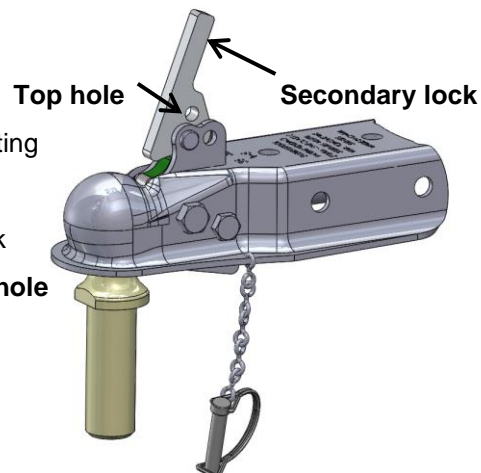
Locked Position

The illustration shown below is in the locked position with the safety clip installed. Insure that the lock assembly is in the unlock position before the hook-up.



Un-Hitching

1. Unlock the coupler by removing safety pin.
2. Flip the Secondary Lock forward until it's pointing up. Hold while raising the jack.
3. If both hands are needed, the Secondary Lock can be held by inserting the safety clip into the **top hole** while raising the jack.



4. Jack up the trailer hitch until it clears the hitch ball and pull out the safety clip. The unit is now back to the unlocked position, as shown in the first illustration.

After Each Use

⚠WARNING

- Inspect for proper operation.
- Inspect, in particular, the coupling area. Replace when the wear exceeds 1/8" (.125") from the original surface profile.
- Inspect for worn, damaged, and missing parts. Replace as required.

Maintenance

⚠️WARNING

For proper performance, the following should be performed every 10,000 miles or 6 months, whichever comes first:

- Inspect for proper operation.
- Inspect, in particular, the coupling area. Replace when the wear exceeds 1/8" (.125") from the original surface profile.
- Inspect for worn, damaged, and missing parts. Replace as required.
- Check the torque specification of the ball after the first 200 miles of towing, and every 400 miles after that.

Maintain the coupler hitch by adopting a program of conscientious repair and maintenance in accordance with the following recommended procedures. It is recommended that the general condition of any tool be examined before it is used. Keep your tool in good repair. Keep handles dry, clean, and free from oil and grease. The following chart is based on a normal operation schedule.

Maintenance Interval	Maintenance Point
After the first 200 miles of towing.	Check the torque specification of the hitch ball and re-torque if necessary.
After every 400 miles of towing.	Check the torque specification of the hitch ball and re-torque if necessary.
The following should be performed every 10,000 miles or 6 months.	<ul style="list-style-type: none"> • Inspect for proper operation. • Inspect, in particular, the coupling area. Replace when the wear exceeds 1/8" (.125") from the original surface profile. • Inspect for worn, damaged, and missing parts. Replace as required. • Always use the safety clip.

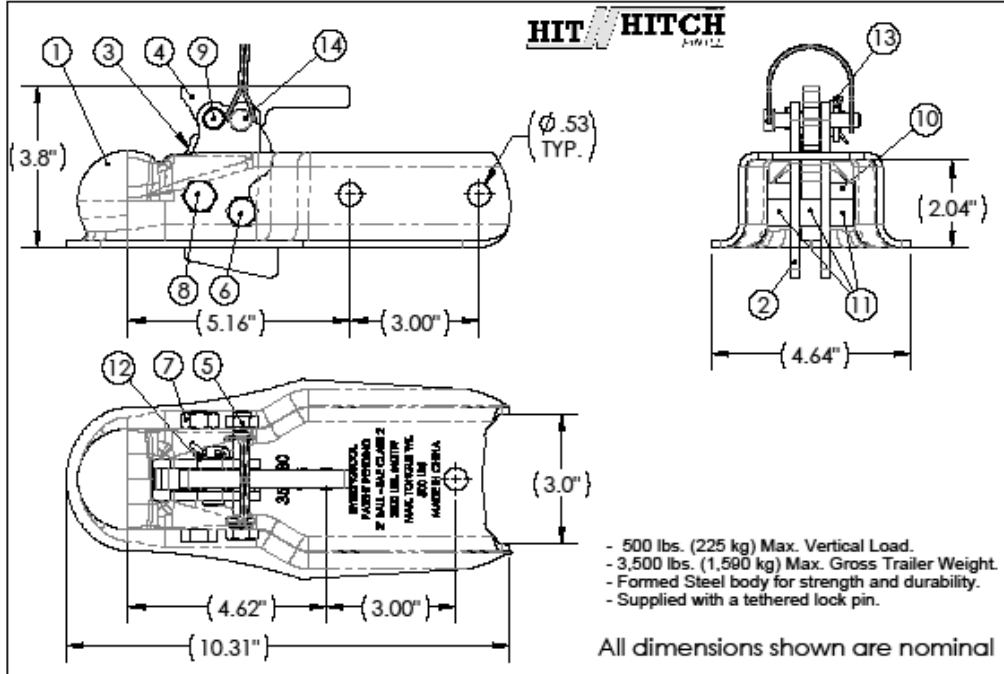
Troubleshooting

Use the table below to troubleshoot problems before contacting service personnel or your local dealer. If the problem continues after troubleshooting, call your local dealer for assistance.

Failure	Possible Cause	Corrective Action
The coupler does not fit down over the hitch ball.	Debris is packed into the coupler.	Remove all debris from the coupler.
	The Primary Lock is not in the correct position.	Before connecting, make sure the primary lock does not show green; green means it's locked.

The coupler does not release from the hitch ball.	The Secondary Lock is the locked position.	Flip up the Secondary Lock and jack up the trailer.
---	--	---

Parts Diagram



- Steel
- Zinc Clear Plating

ITEM NO.	PART OR IDENTIFYING NO.	QUANTITY	DESCRIPTION	MATERIAL SPECIFICATION	QTY REQD.
14	HM121	1	Ø3/8" SAFETY CLIP with Chain/Cable	STEEL	1
13	MI-29	1	Ø 1/8" x 1" LG COTTER PIN	STEEL	1
12	WA60	1	Ø3/8" STANDARD FLAT WASHER	STEEL	1
11	SP3500-1	3	SHORT SPACER	STEEL	3
10	SP3500	1	LONG SPACER	STEEL	1
9	HM22	1	Ø3/8" x 1.25" LG. CLEVIS PIN	STEEL	1
8		1	M12 - 1.75 x 75mm Lg Cap Screw	Gr. 8.8	1
7		1	M12 - 1.75 STEEL LOCKNUT	Gr. 8.8	1
6		1	M10 - 1.5 x 75mm Lg Cap Screw	Gr. 8.8	1
5		1	M10 - 1.5 STEEL LOCKNUT	Gr. 8.8	1
4	SL3500J	1	Secondary Lock	STEEL	1
3	PL3500J	1	Primary Lock	STEEL	1
2	TGB3500J	1	Trailer Guide Bracket	STEEL	1
1	F20030	1	2" Ball, straight CLASS 2 coupler	STEEL	1

DRAWN	NAME	DATE	POWER PIN INC.
LW		Sept 27/16	
DESCRIPTION:			TRAILER BALL HITCH ASSEMBLY 2" BALL x 3" STRAIGHT COUPLER 3,500 LBS. MGTW
PART NO. TB20030			
PROPRIETARY AND CONFIDENTIAL <small>THE INFORMATION CONTAINED IN THIS DRAWING IS THE SOLE PROPERTY OF POWER PIN INC. ANY REPRODUCTION IN PART OR AS A WHOLE WITHOUT THE WRITTEN PERMISSION OF POWER PIN INC. IS PROHIBITED.</small>			REV 0
www.powerpin.ca			

Parts List

Reference	Part Number	Item Description	Quantity
1	F20030	2" Ball, Straight Class 2 Coupler	1
2	TGB3500J	Trailer Guide Bracket	1
3	PL3500J	Primary Lock	1
4	SL3500J	Secondary Lock	1
5		M10 – 1.5 Steel Locknut	1
6		M10 -1.5 x 75mm Cap Screw	1
7		M12 – 1.75 Steel Locknut	1
8		M12 -1.75 x 75mm Cap Screw	1
9	HM22	3/8" x 1.25" Large Clevis Pin	1
10	SP3500	Long Spacer	1
11	SP3500-1	Short Spacer	3
12	WA60	3/8" Standard Flat Washer	1
13	MI-29	1/8" x 1.0" Large Cotter Pin	1
14	HM121	3/8" Safety Clip with Chain/Cable	1

Replacement Parts

- For replacement parts and technical questions, please call Customer Service at **1-800-222-5381**.
- Not all product components are available for replacement. The illustrations provided are a convenient reference to the location and position of parts in the assembly sequence.
- When ordering parts, the following information will be required: item description, item model number, item serial number/item lot date code, and the replacement part reference number.
- The distributor reserves the rights to make design changes and improvements to product lines and manuals without notice.

Limited Warranty

Northern Tool and Equipment Company, Inc. ("We" or "Us") warrants to the original purchaser only ("You" or "Your") that the Ultra-Tow product purchased will be free from material defects in both materials and workmanship, normal wear and tear excepted, for a period of **three years** from date of purchase. The foregoing warranty is valid only if the installation and use of the product is strictly in accordance with product instructions. There are no other warranties, express or implied, including the warranty of merchantability or fitness for a particular purpose. If the product does not comply with this limited warranty, Your sole and exclusive remedy is that We will, at our sole option and within a commercially reasonable time, either replace the product or product component without charge to You or refund the purchase price (less shipping). This limited warranty is not transferable.

Limitations on the Warranty

This limited warranty does not cover: (a) normal wear and tear; (b) damage through abuse, neglect, misuse, or as a result of any accident or in any other manner; (c) damage from misapplication, overloading, or improper installation; (d) improper maintenance and repair; and (e) product alteration in any manner by anyone other than Us, with the sole exception of alterations made pursuant to product instructions and in a workmanlike manner.

Obligations of Purchaser

You must retain Your product purchase receipt to verify date of purchase and that You are the original purchaser. To make a warranty claim, contact Us at 1-800-222-5381, identify the product by make and model number, and follow the claim instructions that will be provided. The product and the purchase receipt must be provided to Us in order to process Your warranty claim. Any returned product that is replaced or refunded by Us becomes our property. You will be responsible for return shipping costs or costs related to Your return visit to a retail store.

Remedy Limits

Product replacement or a refund of the purchase price is Your sole remedy under this limited warranty or any other warranty related to the product. We shall not be liable for: service or labor charges or damage to Your property incurred in removing or replacing the product; any damages, including, without limitation, damages to tangible personal property or personal injury, related to Your improper use, installation, or maintenance of the product or product component; or any indirect, incidental or consequential damages of any kind for any reason.

Assumption of Risk

You acknowledge and agree that any use of the product for any purpose other than the specified use(s) stated in the product instructions is at Your own risk.

Governing Law

This limited warranty gives You specific legal rights, and You also may have other rights which vary from state to state. Some states do not allow limitations or exclusions on implied warranties or incidental or consequential damages, so the above limitations may not apply to You. This limited warranty is governed by the laws of the State of Minnesota, without regard to rules pertaining to conflicts of law. The state courts located in Dakota County, Minnesota shall have exclusive jurisdiction for any disputes relating to this warranty.

ULTRA-TOW™ **XTP SERIES**

Distributed by:

Northern Tool & Equipment Company, Inc.

Burnsville, Minnesota 55306

www.northerntool.com

Made in China