




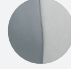


KM 136

Uni Pro Seat & Suspension



CHOOSE FROM

- 
 OR
 - 
 OR
 - 
 OR
 - 
 OR
 - 
 OR
 - 
- Black Vinyl w/ Mech. Susp. **PN: 7882**
Black Vinyl w/ Air Susp. **PN: 7916**
Black Fabric w/ Air Susp. **PN: 7776**
Brown Vinyl w/ Air Susp. **PN: 8189**
Gray Vinyl w/ Mech. Susp. **PN: 8188**
2-Tone Gray Vinyl w/ Mech. Susp. **PN: 8462**



PN: 8189

**Armrests standard on KM 136 in brown vinyl*



Mechanical lumbar support provides extra back support

Adjustable backrest adds comfort and versatility

100-375 lb weight adjustments with visual indicator

Slide rails provide 8.3" fore/aft adjustment ensuring operator comfort

PN: 7882

See **REVERSE** for applications, drawings and options.

- **Grammer Air MSG75/531 Seat or Grammer Mechanical MSG65/531 Seat**
- Retractable seat belt standard on PNs: 7882, 7916 & 8189 (optional on PNs: 7776, 8188 & 8462)
- Operator presence switch (standard on PNs: 7776, 7882, 7916 & 8189) (optional on PNs: 8188 & 8462)
- 2.38" suspension travel
- Set slides at 11.25" W or 12.91" W



APPLICATIONS



Forklifts



Lawn Mowers



Skid Steers

OPTIONS

- 7885 LH Armrest
- 7884 RH Armrest
- 8015 Headrest (Black Vinyl)
- 7887 Retractable Seat Belt
(standard on PNs: 7882, 7916 & 8189;
optional on 7776, 8188 & 8462)
- 8450 Document Pouch
- 86266 Operator Presence Switch
(standard on PNs: 7779, 7882, 7916 &
8189; optional on 8188 & 8462)
- 8065 Seat/Backrest Cover Kit
(Alcantara Two-Tone Gray Fabric)
- 8066 Backrest Extension Cover Kit
(Alcantara Two-Tone Gray Fabric)

MAINTENANCE ITEMS

Only fit the
K&M seat assembly.

- 8151 Replacement Backrest Cushion
(Black Vinyl)
- 8152 Replacement Seat Cushion
(Black Vinyl)
- 8172 Replacement Backrest Cushion
(Black Fabric)
- 8173 Replacement Seat Cushion
(Black Fabric)
- 8466 Replacement Backrest Kit
- 7918 Replacement Isolator Kit
- 8370 Replacement MSG65/75
Seat Belt Cover Kit
- 8399 Replacement Backrest Adjustment
Handle Kit
- 8088 Replacement Weight Adjust Handle Kit
- 8516 Replacement Weight Indicator Kit
- 8278* Replacement MSG75 12-Volt
Compressor Kit
- 8514* Replacement MSG75 Shock Absorber
- 8315* Replacement Airbag Kit
- 8471* Replacement Air Hose
- 8318* Replacement Switch Kit

*Replacement for air suspension seats only

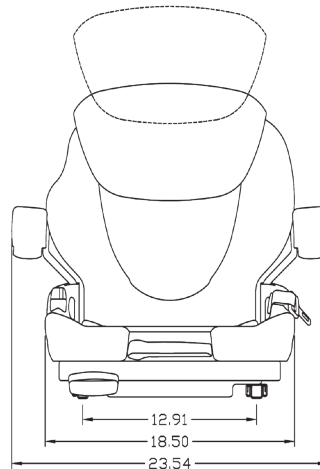
Air Suspension Seats



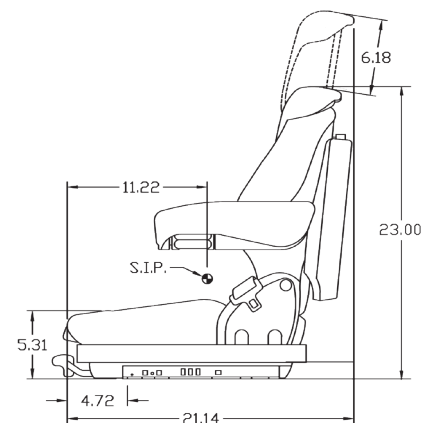
Mechanical Suspension Seats



FRONT VIEW



SIDE VIEW



*Drawings show optional headrest, armrests and seat belt.
Armrests standard on PN: 8189. Seat belt standard on PNs: 7882, 7916 & 8189.