



## 14.4 Volt Li-ion Grease Gun

Owner's Manual



**⚠ WARNING:** Read carefully and understand all ASSEMBLY AND OPERATION INSTRUCTIONS before operating. Failure to follow the safety rules and other basic safety precautions may result in serious personal injury.

Item #75417

**READ & SAVE THESE INSTRUCTIONS**

Thank you very much for choosing an Ironton™ product!

For future reference, please complete the owner's record below:

Serial Number/Lot Date Code: \_\_\_\_\_

Purchase Date: \_\_\_\_\_

Save the receipt, warranty, and this manual. It is important that you read the entire manual to become familiar with this product before you begin using it.

This grease gun is designed for certain applications only. Northern Tool and Equipment is not responsible for issues arising from modification or improper use of this product such as an application for which it was not designed. We strongly recommend that this product not be modified and/or used for any application other than that for which it was designed.

For technical questions, please call **1-800-222-5381**.

## Table of Contents

Intended Use.....	4
Packaging Contents.....	4
Technical Specifications .....	4
Important Safety Information .....	4
Specific Operation Warnings .....	6
Grounding .....	6
Extension Cords.....	7
Main Parts of Grease Gun .....	8
Assembly Instructions.....	8
Before Each Use.....	9
Operating Instructions.....	9
After Each Use.....	14
Maintenance .....	14
Troubleshooting.....	15
Parts Diagram .....	16
Parts List.....	16
Replacement Parts .....	17
Limited Warranty .....	18

## Intended Use

The Ironton 14.4 Volt Li-ion Grease Gun is designed to pump and dispense lubricant using battery power. A battery pack, charger, and 30" flexible hose are included.

## Packaging Contents

- Cordless Grease Gun
- 14.4 Volt Battery Pack
- Charger
- High-pressure Hose
- Owner's Manual

## Technical Specifications

Property	Specification
3-way Loading	Bulk, filler pump, or 14 oz. grease cartridge
Max Working Pressure	7000 PSI
Hose	30 in. flexible hose
Battery Type	14.4 Volt Li-ion
Charge Time	1 hour
mAh	1,300 mAh
Flow Rate	2 oz. per minute

## Important Safety Information

### **⚠WARNING**

- Read and understand all instructions. Failure to follow all instructions may result in serious injury or property damage.
- The warnings, cautions, and instructions in this manual cannot cover all possible conditions or situations that could occur. Exercise common sense and caution when using this tool. Always be aware of the environment and ensure that the tool is used in a safe and responsible manner.
- Do not allow persons to operate or assemble the product until they have read this manual and have developed a thorough understanding of how it works.
- Do not modify this product in any way. Unauthorized modification may impair the function and/or safety and could affect the life of the product. There are specific applications for which the product was designed.
- Use the right tool for the job. DO NOT attempt to force small equipment to do the work of larger industrial equipment. There are certain applications for which this equipment was designed. This product will be safer and do a better job at the capacity for which it was intended. DO NOT use this equipment for a purpose for which it was not intended.
- Industrial or commercial applications must follow OSHA requirements.

## **⚠WARNING**

### **WORK AREA SAFETY**

- Inspect the work area before each use. Keep work area clean, dry, free of clutter, and well-lit. Cluttered, wet, or dark work areas can result in injury. Using the product in confined work areas may put you dangerously close to cutting tools and rotating parts.
- Do not use the product where there is a risk of causing a fire or an explosion; e.g., in the presence of flammable liquids, gases, or dust. The product can create sparks, which may ignite the flammable liquids, gases, or dust.
- Do not allow the product to come into contact with an electrical source. The tool is not insulated and contact will cause electrical shock.
- Keep children and bystanders away from the work area while operating the tool. Do not allow children to handle the product.
- Keep anyone not wearing the appropriate safety equipment away from the work area.

## **⚠WARNING**

### **PERSONAL SAFETY**

- Stay alert, watch what you are doing, and use common sense when operating the tool. Do not use the tool while you are tired or under the influence of drugs, alcohol, or medication. A moment of inattention while operating the tool may result in serious personal injury.
- Dress properly. Do not wear loose clothing, dangling objects, or jewelry. Keep your hair, clothing and gloves away from moving parts. Loose clothes, jewelry, or long hair can be caught in moving parts. Air vents on the tool often cover moving parts and should be avoided.
- Wear the proper personal protective equipment when necessary. Use ANSI Z87.1 compliant safety goggles (not safety glasses) with side shields, or when needed, a face shield. Use a dust mask in dusty work conditions. Also use non-skid safety shoes, hardhat, gloves, dust collection systems, and hearing protection when appropriate. This applies to all persons in the work area.
- Do not overreach. Keep proper footing and balance at all times.

## **⚠CAUTION**

### **GREASE GUN USE AND CARE**

- Do not force the grease gun kit. Products are safer and do a better job when used in the manner for which they are designed. Plan your work, and use the correct product for the job.
- Check for damaged parts before each use. Carefully check that the product will operate properly and perform its intended function. Replace damaged or worn parts immediately. Never operate the product with a damaged part.
- Disconnect the power/air supply from the product and place the switch in the locked or off position before making any adjustments, changing accessories, or storing the tool. Such preventive safety measures reduce the risk of starting the tool accidentally.
- Store the product when it is not in use. Store it in a dry, secure place out of the reach of children.

Inspect the tool for good working condition prior to storage and before re-use.

- Use only accessories that are recommended by the manufacturer for use with your product. Accessories that may be suitable for one product may create a risk of injury when used with another tool. Never use an accessory that has a lower operating speed or operating pressure than the tool itself.
- Keep guards in place and in working order. Never operate the product without the guards in place.
- Do not leave the tool running unattended.

## Specific Operation Warnings

### ⚠️ WARNING

- To prevent serious injury or property damage, read and understand owner's manual before operating.
- Always wear the proper protective equipment, including ANSI Z87.1 compliant eye protection.
- High Pressure Fluid Hazard. Do not use a hose pressure rating that is less than the grease gun.
- Do not exceed the max pressure of 7000 PSI.
- DO NOT carry the gun by the air hose or yank the hose from the air supply.
- Grease is delivered at high pressure. DO NOT point the grease outlet at yourself or others.
- When not in use, disconnect from air supply and store in a safe, dry, and childproof location.

## Grounding

### ⚠️ WARNING

- DO NOT MODIFY THE PROVIDED PLUG. If it will not fit the receptacle, have the proper receptacle installed by a qualified electrician.
- CHECK with a qualified electrician or service person if you do not completely understand the grounding instructions, or if you are not sure the tool is properly grounded.

## Double Insulated Tools: Tools with Two-Prong Plugs

Tools marked **Double Insulated** do not require grounding. They have a special double insulation system which satisfies OSHA requirements and complies with the applicable standards of Underwriters Laboratories, Inc., the Canadian Standard Association, and the National Electrical Code. (See Figure B.)

Double insulated tools may be used in either of the 120 volt outlets shown in the following illustration.

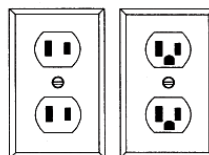


FIGURE B

## Extension Cords

### ⚠WARNING

- USE A PROPER EXTENSION CORD. Make sure your extension cord is in good condition. When using an extension cord, be sure to use one heavy enough to carry the current your product will draw. An undersized cord will cause a drop in line voltage, resulting in loss of power and cause overheating.
- Be sure your extension cord is properly wired and in good condition. Always replace a damaged extension cord or have it repaired by a qualified person before using it. Protect your extension cords from sharp objects, excessive heat and damp or wet areas.

Double Insulated tools can use either a 2- or 3-wire extension cord.

As the distance from the supply outlet increases, you must use a heavier gauge extension cord. Using extension cords with inadequately sized wire causes a serious drop in voltage, resulting in loss of power and possible tool damage.

The smaller the wire's gauge number, the greater the capacity of the cord. For example, a 14-gauge cord can carry a higher current than a 16-gauge cord. Minimum extension cord wire size is shown in the following table:

Minimum Wire Size of Extension Cords				
Nameplate AMPS	Cord Length			
	25'	50'	100'	150'
0-6	18 AWG	16 AWG	16 AWG	14 AWG
6-10	18 AWG	16 AWG	14 AWG	12 AWG
10-12	16 AWG	16 AWG	14 AWG	12 AWG
12-16	14 AWG	12 AWG	NOT RECOMMENDED	

When using more than one extension cord to make up the total length, make sure each cord contains at least the minimum wire size required.

If you are using one extension cord for more than one tool, add the nameplate amperes and use the sum to determine the required minimum cord size.

If you are using an extension cord outdoors, make sure it is marked with the suffix **W-A** (**W** in Canada) to indicate it is acceptable for outdoor use.

Make sure your extension cord is properly wired and in good electrical condition. Always replace a damaged extension cord or have it repaired by a qualified electrician before using it.

Protect your extension cords from sharp objects, excessive heat, and damp or wet areas.

## Main Parts of Grease Gun

If any parts are missing, do not operate the tool until the missing parts are replaced.



### Subassembly

Grease Gun Body

Grease Tube Assembly

High-pressure Hose

14.4 V Battery Pack

## Assembly Instructions

### ⚠WARNING

- Recharge only with the charger specified for the battery. For specific charging instructions, read the operator's manual supplied with your charger and battery.

### Inserting and Removing the Battery

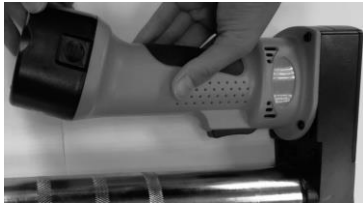




To remove the battery, push the release buttons and pull the battery pack away from the tool.



To insert the battery, slide the pack into the body of the tool. Make sure it latches securely into place.



## Before Each Use

### **⚠️ WARNING**

- To avoid contamination in the grease gun, always make sure the barrel (inside and outside) and surfaces contacting the barrel are clean of dirt, dust and debris. This debris can be pulled into the grease gun and clog the valve.

Inspect the overall condition of the grease gun and do not use if the following conditions exist:

- a damaged hose,
- loose hardware,
- misalignment or binding of moving parts,
- cracked or broken parts,
- damaged electrical wiring, or
- any other condition that may affect its safe operation.

## Operating Instructions

### **⚠️ WARNING**

- Always wear the proper protective equipment, including ANSI Z87.1 compliant eye protection.
- High Pressure Fluid Hazard. Do not use a hose pressure rating that is less than the grease gun.
- Do not exceed the max pressure of 7000 PSI.
- Ensure that the trigger is in the OFF position when connecting to the air supply. The pressure relief valve is factory preset at 7,000 PSI (+/- 500 PSI). Do not adjust the pressure relief valve. If backpressure in the high-pressure hose exceeds the factory's preset pressure rating, grease will be discharged through the pressure relief valve (see Figure 7) to prevent motor overload and to limit grease pressure within the hose.

## Charger Operation

- If the battery pack is installed in the gun, remove it by depressing the two battery release buttons (one button on each side of the battery pack) and pulling the battery pack out of the gun.
- Insert the charger power plug into the 120V/ 60hz power socket.
- Do not force the battery into the charger. The red light indicates charging and the green light indicates completion of charging.
- Press the “SET” button on the charger to begin charging. The green light will go off and a red light will illuminate to indicate that the tool is in charge mode. The battery is fully charged when the red light goes out and the green light is once again displayed. After the charging process is complete (approximately 1 to 2 hours), remove the charger from the wall outlet and disconnect the battery pack.

## Important

- Make sure the power circuit voltage is the same as that shown on the charger specifications plate.
- As a battery pack approaches the discharged state, you will notice a sharp drop in tool performance. When the tool is unable to perform the task at hand, it is time to recharge the battery pack. Recharging the battery pack before this condition is reached will reduce the total work life of the pack. Discharging the pack beyond this point can damage the pack.
- Battery temperatures will increase during and shortly after use. Batteries may not accept a full charge if they are charged immediately after use. For best results, allow battery packs to cool to room temperature before charging.

## Installing a Grease Cartridge

- Depress the follower key and pull back on the follower handle. When the follower rod is fully extended (approximately 8 inches), release the follower key. See Figure 1.



Figure 1

NOTE: It may be necessary to loosen the grease tube assembly to break the vacuum seal.

- Remove the plastic cap from the grease cartridge and insert the cartridge into the grease tube assembly. See Figure 2.



Figure 2

- Remove the pull-tab from the grease cartridge and screw the grease tube assembly clockwise into the gun.
- To release the follower rod, depress the follower key and push the follower rod forward into the grease tube assembly. Purge the air from the pump. See the Purging Air Pockets section.

### Filling the Gun from a Bulk Container



- Rotate the grease tube assembly counter-clockwise to unscrew the grease tube assembly from the gun.
- Insert the open end of the grease tube assembly into the bulk container. Depress the follower key and slowly pull back on the follower handle while pushing the grease tube assembly deeper into the lubricant to prevent air pockets from being pulled into the grease tube assembly.
- When the follower rod is fully extended (approximately 8 inches), the grease tube assembly is full. Release the follower key to hold the follower rod in its extended position.
- Screw the grease tube assembly clockwise into the gun. To release the follower rod, depress the follower key and push the follower rod forward into the grease tube assembly. Purge the air from the pump. See the Purging Air Pockets section.
- Clean any excess grease from the gun body.

### Operating the Grease Gun

- Fully insert the charged battery pack into the grease gun. See Figure 3.
- Connect the high-pressure hose coupler to the grease fitting, and ensure that the coupler is squarely seated on the fitting. See Figure 4.
- Squeeze the trigger switch to activate the grease gun. Grease should now be dispensed through the high-pressure hose coupler and into the grease fitting. See Figure 5.

- When you have finished applying grease, remove the high-pressure hose coupler from the grease fitting by pulling it sideways. See Figure 6.



Figure 3

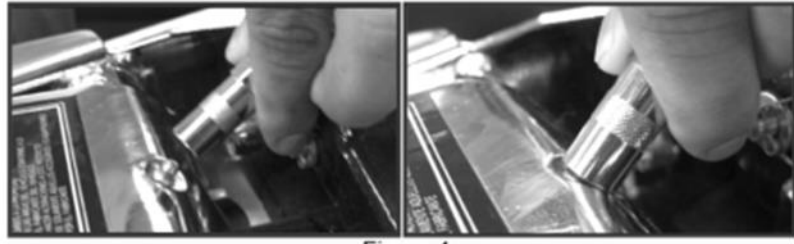


Figure 4



Figure 5



Figure 6



Figure 7

### ⚠WARNING

- The pressure relief valve is factory preset at 7,000 PSI (+/- 500 PSI). Do not adjust the pressure relief valve. If backpressure in the high-pressure hose exceeds the factory's preset pressure rating, grease will be discharged through the pressure relief valve (see Figure 7) to prevent motor overload and to limit grease pressure within the hose.

### Removing Empty Grease Cartridges

- Depress the follower key and pull back on the follower handle. When the follower rod is fully extended (approximately 8 inches), release the follower key. See Figure 8.



Figure 8

NOTE: It may be necessary to loosen the grease tube assembly to break the vacuum seal.

- Rotate the grease tube assembly counter-clockwise to unscrew the grease tube assembly from the gun. See Figure 9.



Figure 9

- Carefully release the follower handle to eject the empty cartridge from the grease tube assembly.

### Re-Priming

NOTE: The gun may lose its prime due to air pockets in the lubricant.

1. Withdraw the follower rod from the grease tube assembly and firmly push the follower rod back into the grease tube assembly.
2. Squeeze the trigger switch in short bursts until all air pockets are expelled. If this step fails to re-prime the gun, unscrew the grease tube assembly 1-1/2 turns.
3. Push the follower handle into the grease tube assembly until lubricant is released from the grease tube assembly at the point where it screws into the pump housing.
4. Tighten the grease tube assembly and remove excess grease from the exterior of the gun.

### Purging Air Pockets

- Turn the air pocket valve, located on the top of the gun, in a counter-clockwise direction until grease is released from the side hole of the air pocket valve. See Figure 10.
- Tighten the air pocket valve when you have finished bleeding the trapped air.
- If necessary, repeat the air-bleeding process until all trapped air is purged from the grease tube assembly.



Figure 10

## After Each Use

### **⚠WARNING**

- If the supply cord of the charger is damaged, it must be replaced only by a qualified service technician.
- When storing, always remove the battery pack from the grease gun. Keep the grease gun and its accessories in a clean, dry location and out of the reach of children.
- When battery pack is not in use, keep it away from other metal objects like paper clips, coins, keys, nails, screws, or other small metal objects that can make a connection from one terminal to another. Shorting the battery terminals together may cause burns or a fire.
- Do not use solvents to clean the grease gun.
- Do not immerse the grease gun in any liquids.

After use, wipe external surfaces of the grease gun with a clean cloth to remove all dirt, grease, and debris.

## Maintenance

### **⚠WARNING**

- Make sure the trigger switch is in the OFF position, the battery is removed from the grease gun, and the charger is unplugged from the electrical outlet before performing any inspection, maintenance, or cleaning.
- Check the general condition of the grease gun before each use. Check for misaligned or binding moving parts, cracked or broken parts, leaking battery packs, damaged hoses, and any other conditions that may affect the safe operation of the grease gun. If abnormal noise or vibration occurs, have the problem corrected before further use. Do not use damaged equipment.
- Daily maintenance: Use a soft, dry cloth to remove all dirt, grease, and debris from the exterior of the grease gun. Do not use solvents to clean the grease gun.
- Use only identical replacement parts when servicing. Only use accessories that are intended for use with this tool.

Maintain the grease gun by adopting a program of conscientious repair and maintenance in accordance with the following recommended procedures. It is recommended that the general condition of any tool be examined before it is used. Keep your tool in good repair. Keep handles dry, clean, and free from oil and grease. The following chart is based on a normal operation schedule.

Maintenance Interval	Maintenance Point	Action
Daily before operating	Check for: <ul style="list-style-type: none"> <li>leaking, swollen, or cracked battery pack</li> <li>damaged hose</li> <li>loose hardware</li> <li>misalignment or binding of moving parts</li> <li>cracked or broken parts</li> <li>damaged electrical wiring</li> <li>any other condition that may affect its safe operation</li> </ul>	Have damaged parts replaced.
After the first 20 operating hours	<ul style="list-style-type: none"> <li>leaking, swollen, or cracked battery pack</li> </ul>	Replace the batter pack.
After the first 50 operating hours or every week	<ul style="list-style-type: none"> <li>leaking, swollen, or cracked battery pack</li> <li>misalignment or binding of moving parts</li> </ul>	<ul style="list-style-type: none"> <li>Replace the battery pack.</li> <li>Tighten the parts and replace with new parts as necessary.</li> </ul>

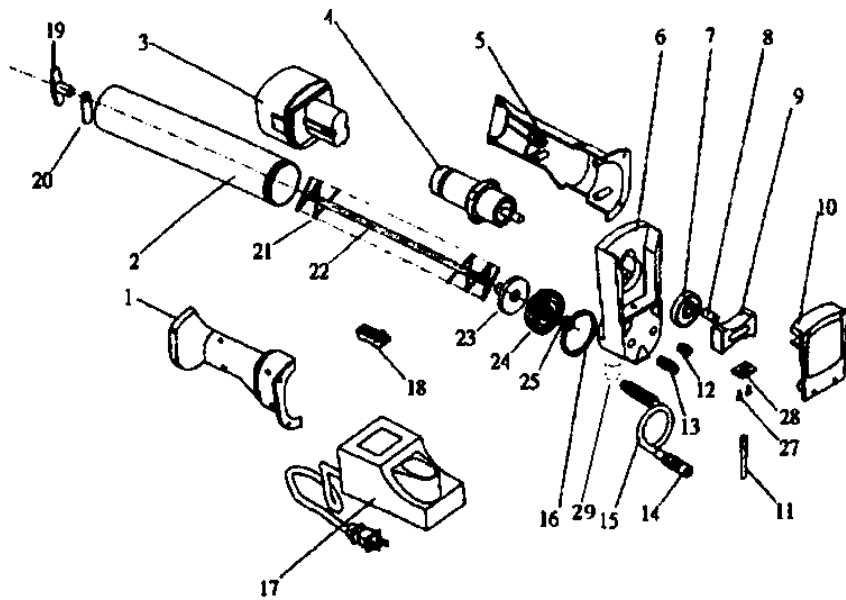
## Troubleshooting

Use the table below to troubleshoot problems before contacting service personnel or your local dealer. If the problem continues after troubleshooting, call your local dealer for assistance.

Failure	Possible Cause	Corrective Action
Gun will not start, operates slowly, or is overheating.	Battery discharged.	Recharge the battery.
	Faulty wiring.	Take the unit to a qualified technician.
	Battery pack has burned out.	Dispose of old battery pack properly or recycle. Replace battery pack.
	Internal damage or wear (carbon brushes or trigger, for example).	Have technician service tool.
	Battery pack's power is low.	Recharge battery pack.
	Battery pack is wearing out.	Dispose of old battery pack properly or recycle. Replace battery pack.

Failure	Possible Cause	Corrective Action
Pressure relief valve remains open.	Blocked motor housing vents.	Wear ANSI-approved safety goggles and NIOSH-approved dust mask/respirator while blowing dust out of motor using compressed air.
	Blockage in the line or the grease fitting.	Check the hose and the grease fitting.
Continuous loss of prime.	Air pockets have developed.	Empty the grease tube assembly, refill, and re-prime.
	Plunger is binding in the grease tube assembly.	Take the unit to a qualified technician.
Performance decreases over time.	Carbon brushes are worn or damaged.	Have qualified technician replace brushes.

### Parts Diagram



### Parts List

Number	Part Description	Quantity
1	Right Cover	1
2	Grease Tube Assembly	1
3	Battery Pack	1
4	Motor Assembly	1
5	Left Cover	1
6	Pump Housing	1
7	Gear	1
8	Sleeve	1



<b>Number</b>	<b>Part Description</b>	<b>Quantity</b>
9	Push Block	1
10	Pump Assembly Cover	1
11	Stopcock	1
12	Hex Nut	1
13	Air Pocket Valve	1
14	Coupler	1
15	Hose	1
16	Seal Ring	1
17	Charger	1
18	Trigger Switch	1
19	Follower Handle	1
20	Follower Key	1
21	Spring	1
22	Follower Rod	1
23	Follower	1
24	Follower Seal	1
25	Screw	1
27	Bolt	2
28	Push Plate	1
29	Pressure Relief Valve	1

## Replacement Parts

For replacement parts and technical questions, please call Customer Service at **1-800-222-5381**.

Not all product components are available for replacement. The illustrations provided are a convenient reference to the location and position of parts in the assembly sequence.

When ordering parts, the following information will be required: item description, item model number, item serial number/item lot date code, and the replacement part reference number.

The distributor reserves the rights to make design changes and improvements to product lines and manuals without notice.

## Limited Warranty

Northern Tool and Equipment Company, Inc. ("We" or "Us") warrants to the original purchaser only ("You" or "Your") that the Ironton product purchased will be free from material defects in both materials and workmanship, normal wear and tear excepted, for a period of **one year** from date of purchase. The foregoing warranty is valid only if the installation and use of the product is strictly in accordance with product instructions. There are no other warranties, express or implied, including the warranty of merchantability or fitness for a particular purpose. If the product does not comply with this limited warranty, Your sole and exclusive remedy is that We will, at our sole option and within a commercially reasonable time, either replace the product or product component without charge to You or refund the purchase price (less shipping). This limited warranty is not transferable.

### Limitations on the Warranty

This limited warranty does not cover: (a) normal wear and tear; (b) damage through abuse, neglect, misuse, or as a result of any accident or in any other manner; (c) damage from misapplication, overloading, or improper installation; (d) improper maintenance and repair; and (e) product alteration in any manner by anyone other than Us, with the sole exception of alterations made pursuant to product instructions and in a workmanlike manner.

### Obligations of Purchaser

You must retain Your product purchase receipt to verify date of purchase and that You are the original purchaser. To make a warranty claim, contact Us at 1-800-222-5381, identify the product by make and model number, and follow the claim instructions that will be provided. The product and the purchase receipt must be provided to Us in order to process Your warranty claim. Any returned product that is replaced or refunded by Us becomes our property. You will be responsible for return shipping costs or costs related to Your return visit to a retail store.

### Remedy Limits

Product replacement or a refund of the purchase price is Your sole remedy under this limited warranty or any other warranty related to the product. We shall not be liable for: service or labor charges or damage to Your property incurred in removing or replacing the product; any damages, including, without limitation, damages to tangible personal property or personal injury, related to Your improper use, installation, or maintenance of the product or product component; or any indirect, incidental or consequential damages of any kind for any reason.

### Assumption of Risk

You acknowledge and agree that any use of the product for any purpose other than the specified use(s) stated in the product instructions is at Your own risk.

### Governing Law

This limited warranty gives You specific legal rights, and You also may have other rights which vary from state to state. Some states do not allow limitations or exclusions on implied warranties or incidental or consequential damages, so the above limitations may not apply to You. This limited warranty is governed by the laws of the State of Minnesota, without regard to rules pertaining to conflicts of law. The state courts located in Dakota County, Minnesota shall have exclusive jurisdiction for any disputes relating to this warranty.



Distributed by:  
Northern Tool & Equipment Company, Inc.  
Burnsville, Minnesota 55306  
[www.northerntool.com](http://www.northerntool.com)

Made in China