

Installation Guide 6972

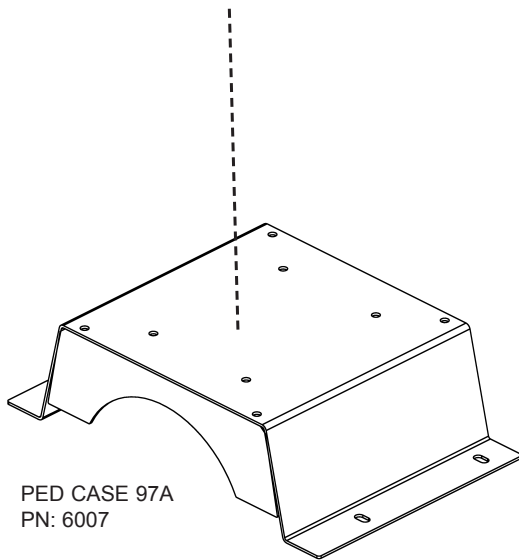
Installation Instructions for KM 1057 Uni Pro Seat & Suspension in Case 870-1370 Tractors with a Comfort or Agri-King Seat

731 Seat Top
PN: 8374



Optional
Swivel Kit
Available
PN: 5007

MSG95
Suspension
PN: 8078



PED CASE 97A
PN: 6007

1. Remove the original seat and suspension assembly from the tractor. Keep the original bolts.
2. Bolt the PED Case 97A to the tractor deck with the original bolts.
3. Bolt the suspension assembly to the pedestal with four 5/16" x 3/4" bolts and flange nuts.
4. Bolt the seat and slide rail assembly to the suspension assembly. (Slide seat forward to access rear two holes and all the way back to access front two holes in slides.)
5. Locate the power cable coming from the lower part of suspension and connect it to 12v power source from tractor.