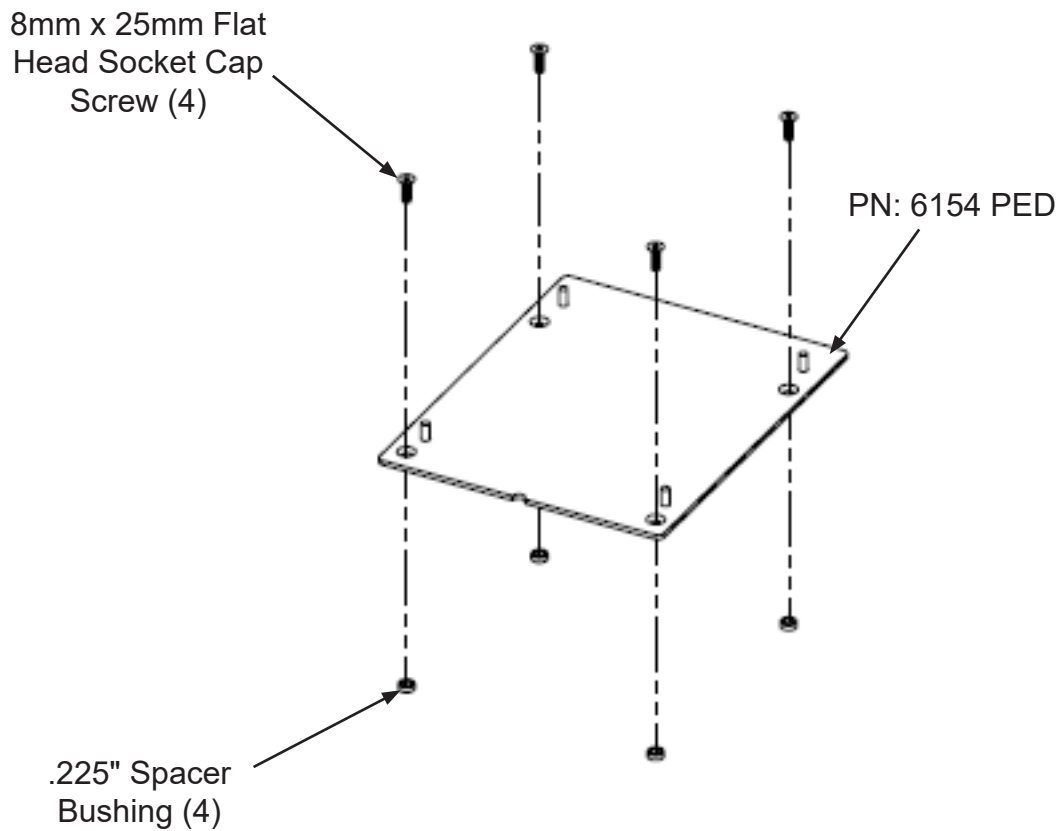
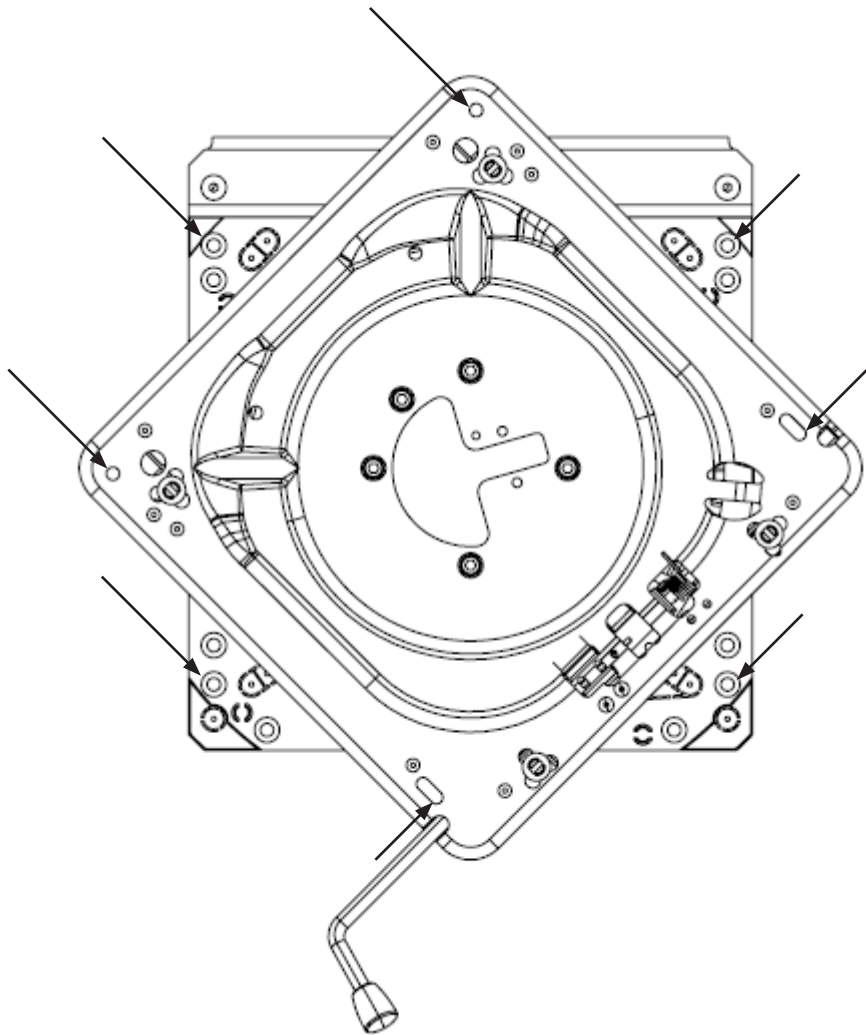


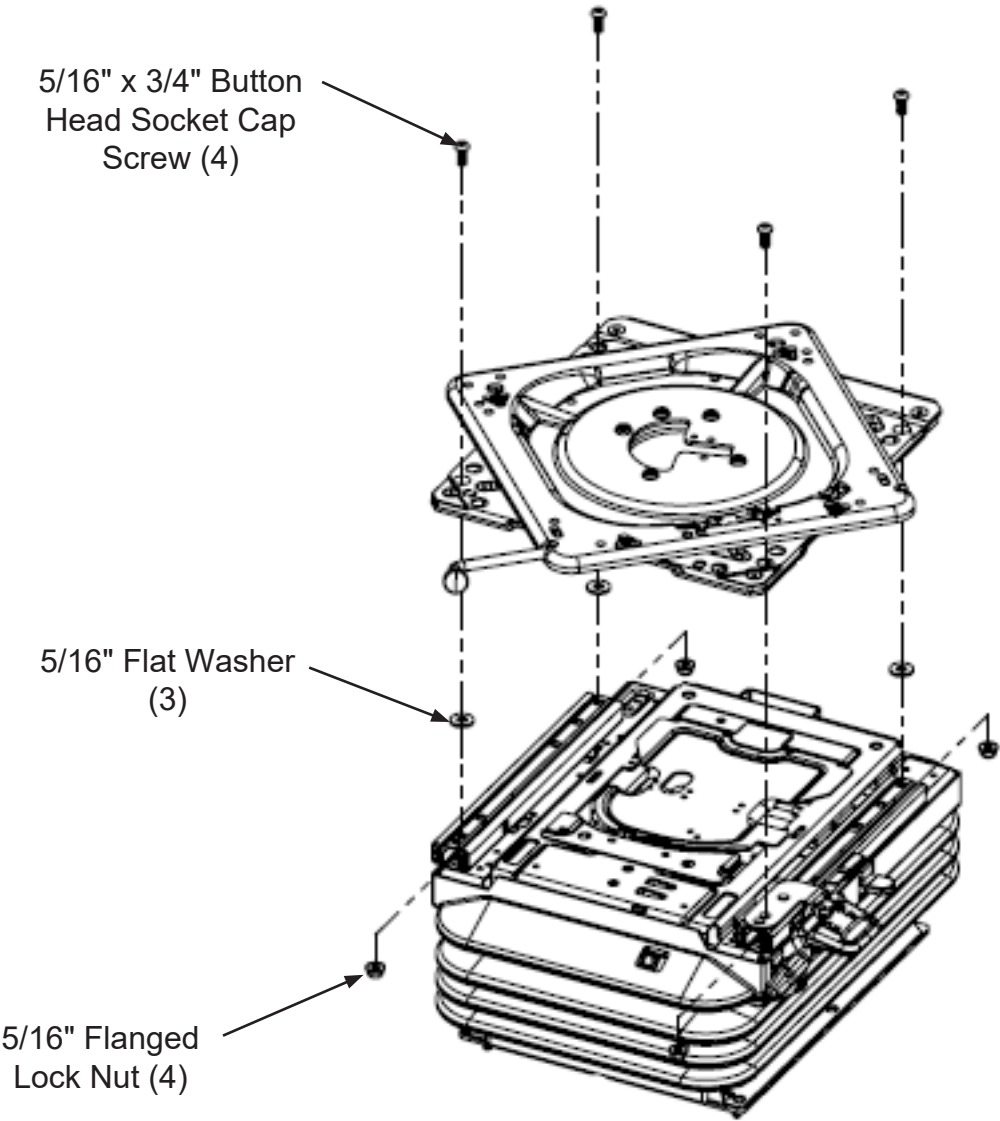
1. Remove the original seat and suspension from the tractor.
2. Fasten the 6154 PED to the floor of the cab where the original seat was using four 8 mm x 25 mm flat head socket cap screws and four .225" spacers. The spacers go between the PED and the floor of the cab.



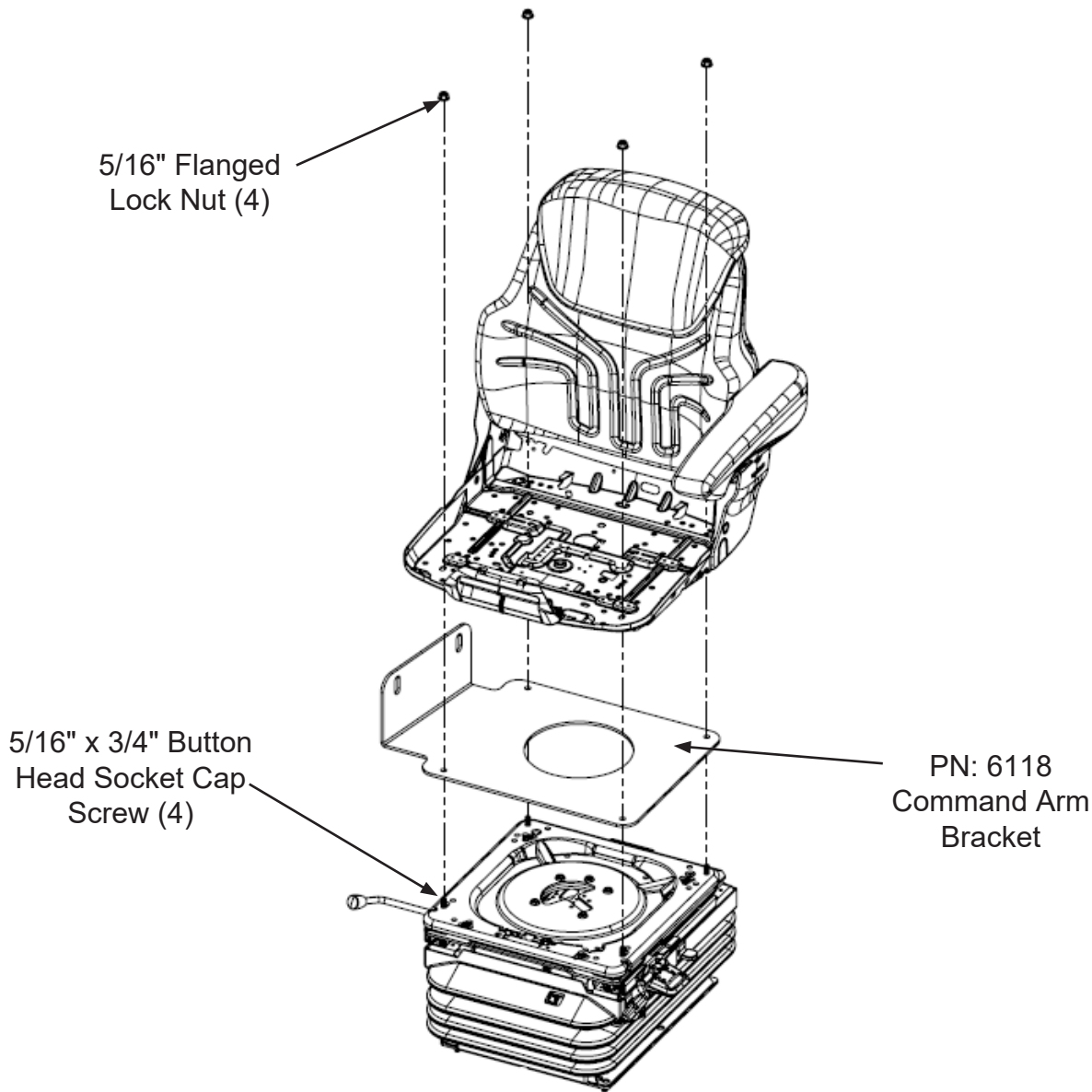
3. Remove the right arm rest from the new seat.
4. Remove the new seat top from the new suspension. Use the additional instruction guide or go to this link (<https://bit.ly/2AJfthi>) for a video on how to remove it.
5. If a swivel was purchased proceed to step 6. If no swivel was purchased proceed to step 9 on page 4.
6. Rotate the swivel 45 degrees as shown and remove the plastic knock outs as shown be-low. There are eight total knockouts to remove.



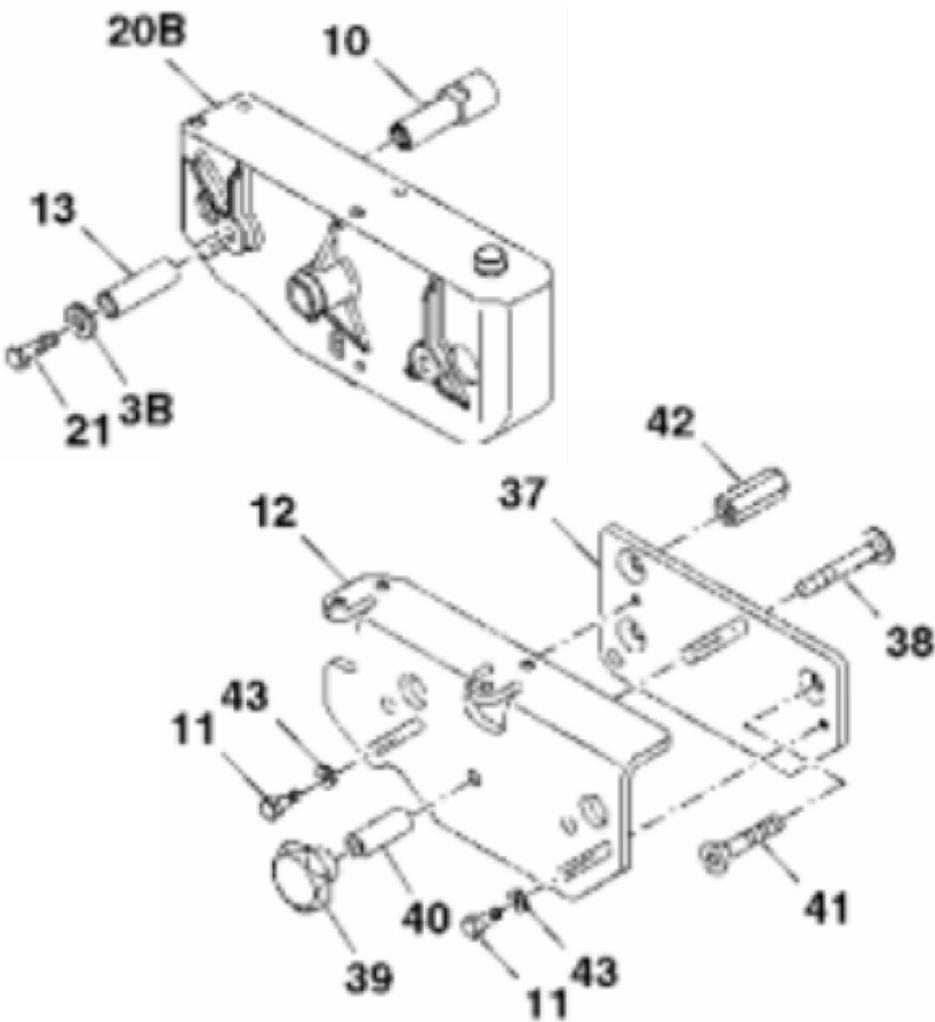
- 7. Use three 5/16" washers as spacers to level the swivel on the slide rails. Install one on the second from the front hole on the right slide rail and one each on the rear holes of each slide rail. See diagram below.
- 8. Place the swivel on top of the slide rails and fasten down with four 5/16" x 3/4" button head socket cap screws and four 5/16" flanged lock nuts. NOTE: You will have to adjust the slide rails forward and backwards to get the nuts on.



9. Install the suspension assembly into the cab. Place the suspension assembly onto the studs of PED 6154 and fasten in place using four 5/16" serrated flange nuts.
10. Attach the seat top and the command arm bracket 6118 to the swivel using four 5/16" x 3/4" button head socket cap screws and flanged lock nuts. You will have to rotate the swivel to get the bolts in. If no swivel was ordered, mount the command arm bracket 6118 and seat top directly to the slide rails. Use three 5/16" washers as spacers on top of the slide rails to level the 6118 command arm and seat top. Two on the right slide rail and one on the rear left slide rail.



- 11. Reinstall the seat cushion and components in the reverse order they were removed.
- 12. When mounting your command arm to the 6118 bracket, check to see what style OEM mount you have. You may have to remove the plastic command arm housing for easier installation.
- 13. If your OEM mount is like 20B below, use the two 2" spacers and 10mm x 65mm hex bolts to mount the OEM part 20B to the 6118 bracket.
- 14. If your OEM mount has items 12 and 37, remove the OEM part 42 spacers from the OEM seat and attach them to the 6118 bracket using two 10mm x 25mm bolts and flat washers. Mount the OEM command arm and brackets to the part number 42 spacers as they were originally installed.





## Installation Guide

**John Deere 6000-7030 Series w/ IVT KM 1310 Kit Installation (PN: 6965)**

15. Connect the seat operator presence wires and the suspension power wires to the harness included in the kit.
16. Connect the harness to the tractor.