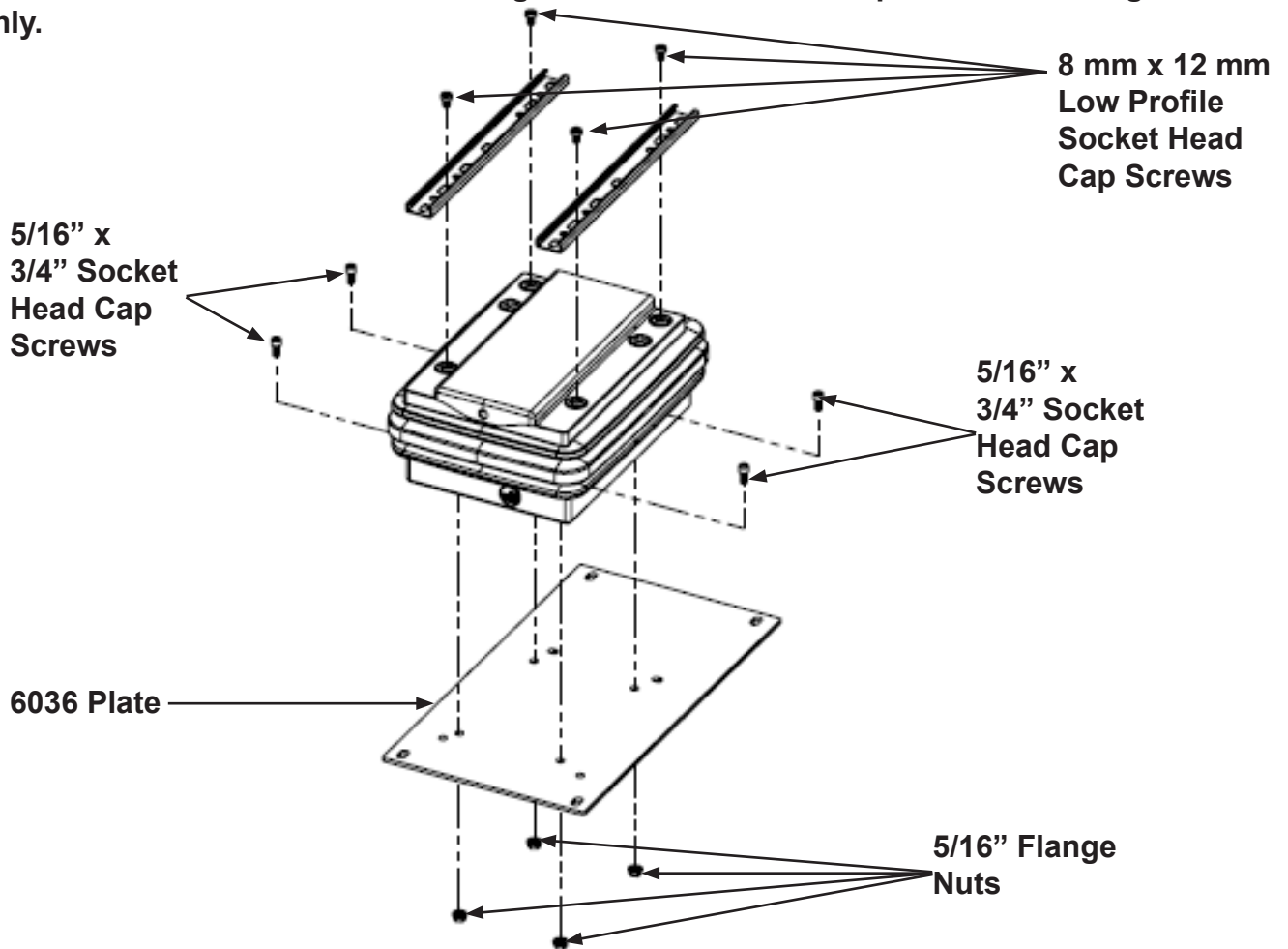


Installation Guide

John Deere Soundgard KM 403 Kit (PN: 6950 & 6951)

Installation Instructions for the KM 403 kit being installed in a John Deere 30-55 series tractor with a Soundgard Cab and original hydraulic suspension.

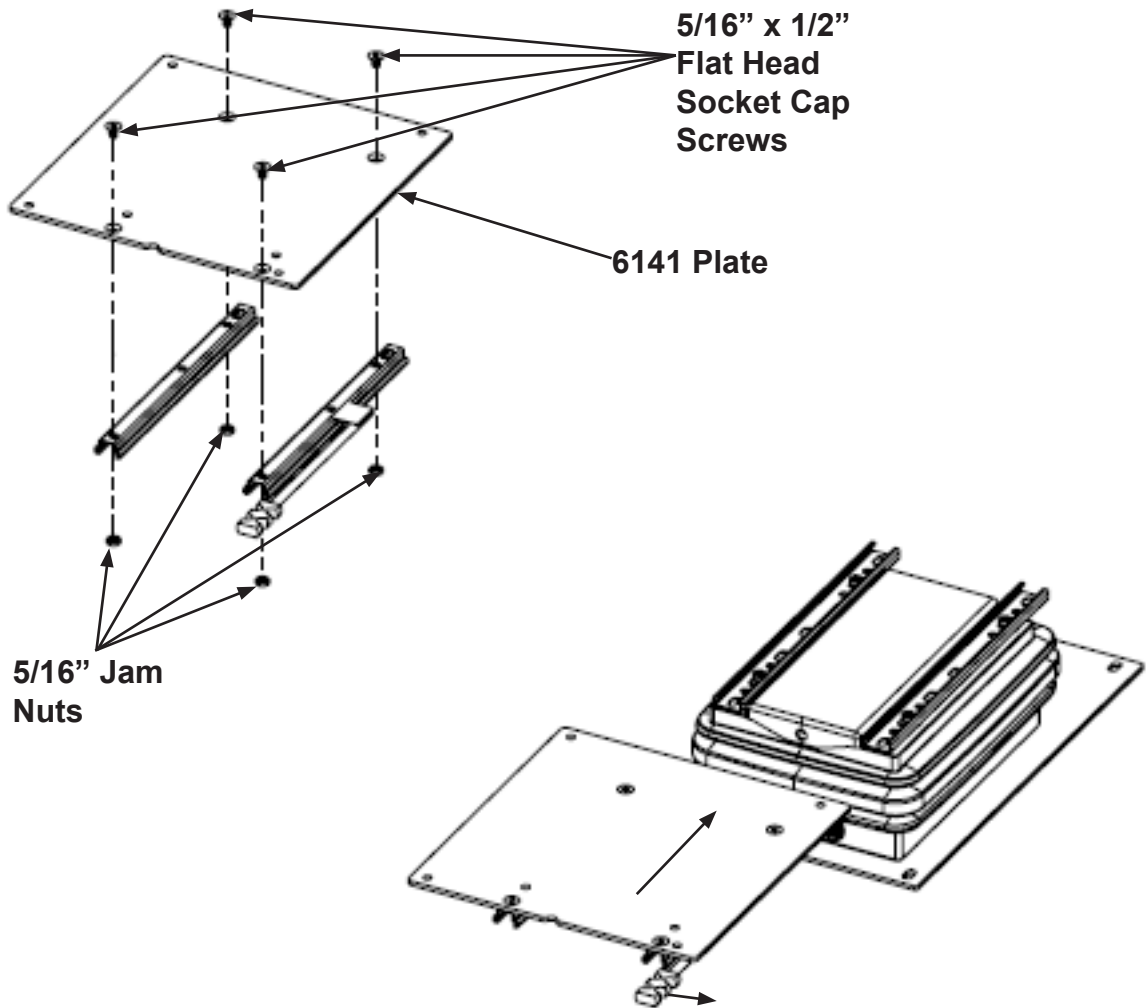
1. Remove the original seat and suspension. Keep the bolts that held the suspension plate to the tractor.
2. Cap the hydraulic lines with the nuts and plugs provided. Cut and plug the breather line by turning a 5/16" x 1" bolt into the tube.
3. Mount the suspension to the 6036 plate using four 5/16" x 3/4" socket head bolts and flange nuts. You will have to loosen the rubber boot around the bottom of the suspension to get the bolts in.
4. Mark the front of the slide rails for later reference. Remove the slide rails from the bottom of the seat. Keep the hardware.
5. Separate the upper and lower halves of the slide rails. Mount the lower halves of the slide rails to the suspension using four 8 mm x 12 mm low head socket cap screws. Make sure the front of the slide rails go to the front of the suspension. Hand tighten only.



Installation Guide

John Deere Soundgard KM 403 Kit (PN: 6950 & 6951)

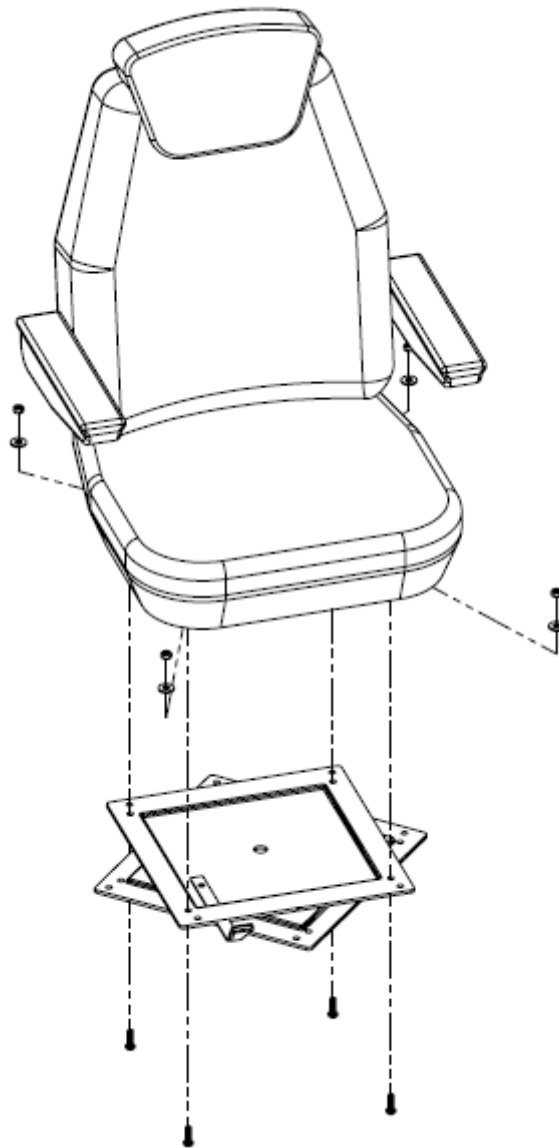
1. Fasten the upper halves of the slide rails to the 6141 plate using four 5/16" x 1/2" flat head socket cap screws and jam nuts.
2. Apply a small amount of grease to the bottom and sides of the upper slide rail halves.
3. Slide the 6141 and upper slide rails from the front onto the suspension. Be sure to pull the slide rail adjustment handle out to allow the assembly to go on.
4. Move the 6141 back and forth to make sure it slides freely.
5. Tighten the four 8 mm bolts holding the lower slide rails to the suspension. **NOTE:** Leave the 6141 plate and upper slide rails attached to the lower slide rails. Adjust the assembly as necessary to tighten the bolts. There are holes at the front of the 6141 plate to allow access to the front 8 mm bolts.



Installation Guide

John Deere Soundgard KM 403 Kit (PN: 6950 & 6951)

1. Place the suspension assembly into the tractor and mount to the floor using the original bolts.
2. Rotate the swivel 45 degrees to allow easier access to the holes. Mount the swivel to the bottom of the seat using the hardware that held the slide rails to the bottom of the seat. Be sure to center the seat from side to side on the swivel before tightening the hardware.



Installation Guide

John Deere Soundgard KM 403 Kit (PN: 6950 & 6951)

1. Place the seat and swivel assembly in the cab and fasten to the suspension assembly using four 5/16" x 3/4" button head socket cap screws and flange nuts.
2. If the suspension is an air suspension, connect the wires to a power and ground source. Keyed power is recommended.

