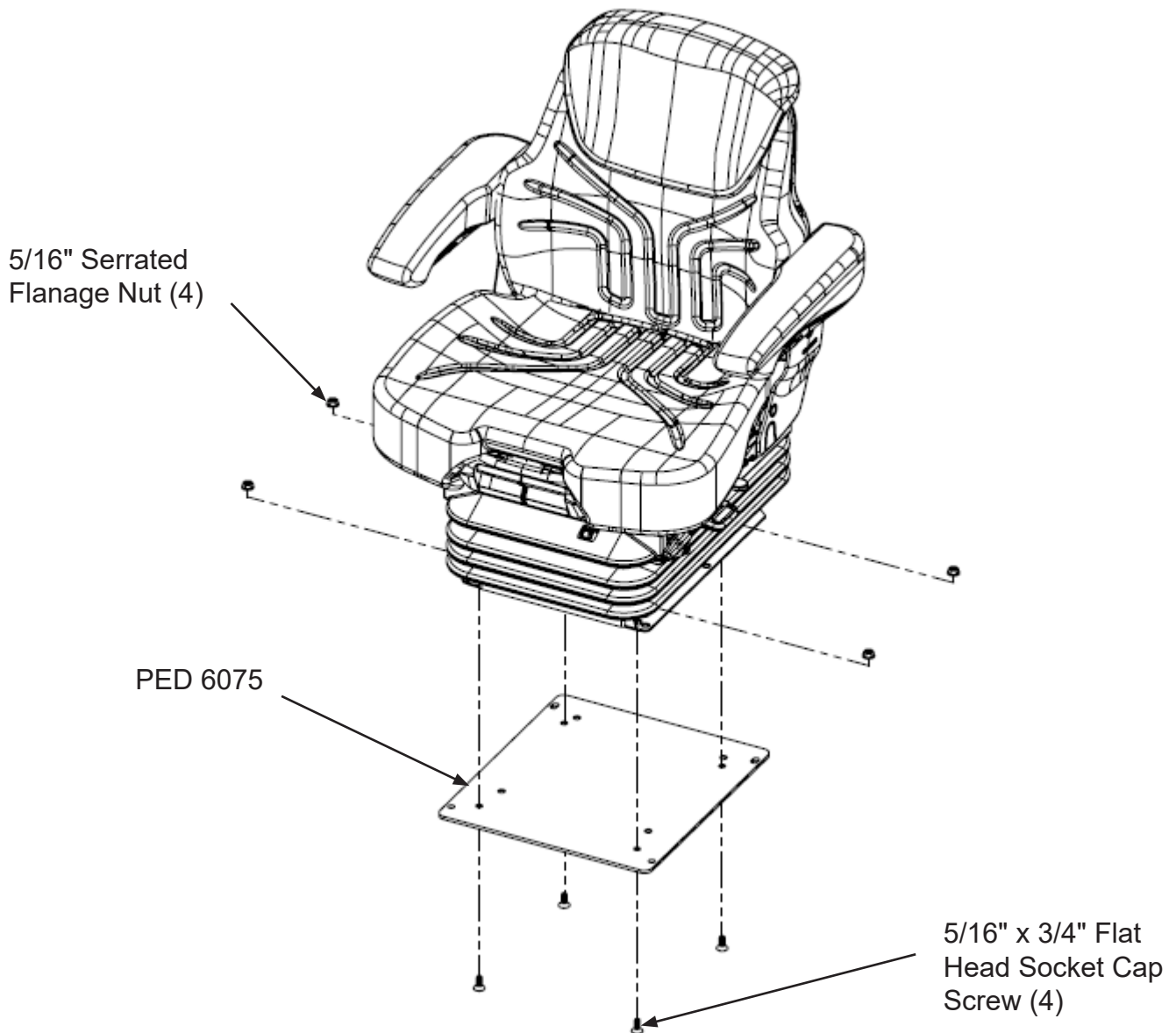


Installation Guide

JD 7000-7010 Series KM 1310 Kit (PN: 6719)

1. Remove original seat and suspension from cab.
2. Mount the new seat and suspension to the PED 6075 using four 5/16" x 3/4" flat head socket cap screws and four 5/16" serrated flange nuts.



Installation Guide

JD 7000-7010 Series KM 1310 Kit (PN: 6719)

3. Place the new seat and PED assembly into the cab and fasten in place using four 8mm x 40mm flange bolts.
4. Connect the operator presence switch and suspension power to the tractor wiring harness using the included wiring adapter.

