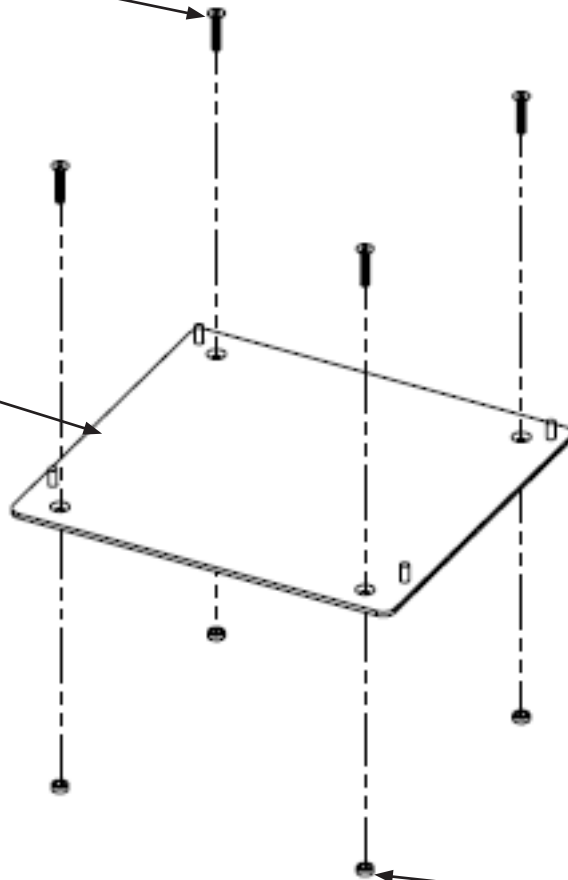


1. Remove original seat and suspension from cab.
2. Mount the PED 6157 to the cab floor using four 8mm x 40mm flat head socket cap screws and four .225" spacer bushings. The spacer bushings go in between the PED 6157 and the cab floor.

8mm x 40mm Flat
Head Socket Cap
Screw (4)

PED 6157



.225" Spacer Bushing

3. Place the new seat and suspension onto the studs of the PED 6157 and fasten in place using four 5/16" serrated flange nuts.
4. Connect the operator presence switch and suspension power to the tractor wiring harness using the included wiring adapter.

