

# KLUTCH

## Adjustable Steel Welding Table

Owner's Manual



**⚠ WARNING:** Read carefully and understand all ASSEMBLY AND OPERATION INSTRUCTIONS before operating. Failure to follow the safety rules and other basic safety precautions may result in serious personal injury.

Item #61118

**READ & SAVE THESE INSTRUCTIONS**

Thank you very much for choosing a Klutch® product!

For future reference, please complete the owner's record below:

Serial Number/Lot Date Code: \_\_\_\_\_

Purchase Date: \_\_\_\_\_

Save the receipt, warranty, and this manual. It is important that you read the entire manual to become familiar with this product before you begin using it.

This welding table is designed for certain applications only. Northern Tool & Equipment is not responsible for issues arising from modification or improper use of this product such as an application for which it was not designed. We strongly recommend that this product not be modified and/or used for any application other than that for which it was designed.

For technical questions, please call **1-800-222-5381**.

## Table of Contents

Intended Use.....	4
Packaging Contents.....	4
Technical Specifications .....	4
Important Safety Information .....	4
Specific Operation Warnings .....	6
Main Parts of Table .....	6
Assembly Instructions.....	6
Before Each Use.....	8
Operating Instructions.....	8
Maintaining the Table .....	10
Troubleshooting.....	10
Parts Diagram .....	11
Parts List .....	11
Replacement Parts .....	12
Limited Warranty .....	13

## Intended Use

The Klutch Adjustable Steel Welding Table gives you a steady, flame-proof steel surface for welding parts and components. It's designed for conductivity so you can connect your welding clamp directly to the welding table, safely out of the way of slag and spatter. The adjustable angle and fence give you a variety of welding options.

## Packaging Contents

- Welding Table
- Hardware Bag
- Owner's Manual

## Technical Specifications

Property	Specification
Table Dimensions	30 L x 20 W x 32 5/8 H in.
Maximum Weight Capacity	400 lb.

## Important Safety Information

### **⚠️WARNING**

- Read and understand all instructions. Failure to follow all instructions may result in serious injury or property damage.
- The warnings, cautions, and instructions in this manual cannot cover all possible conditions or situations that could occur. Exercise common sense and caution when using this tool. Always be aware of the environment and ensure that the tool is used in a safe and responsible manner.
- Do not allow persons to operate or assemble the product until they have read this manual and have developed a thorough understanding of how it works.
- Do not modify this product in any way. Unauthorized modification may impair the function and/or safety and could affect the life of the product. There are specific applications for which the product was designed.
- Use the right tool for the job. DO NOT attempt to force small equipment to do the work of larger industrial equipment. There are certain applications for which this equipment was designed. It will be a safer experience and do the job better at the capacity for which it was intended. DO NOT use this equipment for a purpose for which it was not intended.
- Industrial or commercial applications must follow OSHA requirements.

### **⚠️WARNING**

#### **WORK AREA SAFETY**

- Inspect the work area before each use. Keep work area clean, dry, free of clutter, and well-lit. Cluttered, wet, or dark work areas can result in injury. Using the product in confined work areas may put you dangerously close to cutting tools and rotating parts.
- Do not use the product where there is a risk of causing a fire or an explosion; e.g., in the presence

of flammable liquids, gases, or dust. The product can create sparks, which may ignite the flammable liquids, gases, or dust.

- Do not allow the product to come into contact with an electrical source. The tool is not insulated and contact will cause electrical shock.
- Keep children and bystanders away from the work area while operating the tool. Do not allow children to handle the product.
- Be aware of all power lines, electrical circuits, water pipes, and other mechanical hazards in your work area. Some of these hazards may be hidden from your view and may cause personal injury and/or property damage if contacted.

## **⚠WARNING**

### **PERSONAL SAFETY**

- Stay alert, watch what you are doing, and use common sense when operating the tool. Do not use the tool while you are tired or under the influence of drugs, alcohol, or medication. A moment of inattention while operating the tool may result in serious personal injury.
- Dress properly. Do not wear loose clothing, dangling objects, or jewelry. Keep your hair, clothing and gloves away from moving parts. Loose clothes, jewelry, or long hair can be caught in moving parts. Air vents on the tool often cover moving parts and should be avoided.
- Wear the proper personal protective equipment when necessary. Use ANSI Z87.1 compliant safety goggles (not safety glasses) with side shields, or when needed, a face shield. Use a dust mask in dusty work conditions. Also use non-skid safety shoes, hardhat, gloves, dust collection systems, and hearing protection when appropriate. This applies to all persons in the work area.
- Do not overreach. Keep proper footing and balance at all times.

## **⚠CAUTION**

### **TABLE USE AND CARE**

- Do not force the table. Products are safer and do a better job when used in the manner for which they are designed. Plan your work, and use the correct product for the job.
- Check for damaged parts before each use. Carefully check that the product will operate properly and perform its intended function. Replace damaged or worn parts immediately. Never operate the product with a damaged part.
- Store the product when it is not in use. Store it in a dry, secure place out of the reach of children. Inspect the tool for good working condition prior to storage and before re-use.
- Use only accessories that are recommended by the manufacturer for use with your product. Accessories that may be suitable for one product may create a risk of injury when used with another tool. Never use an accessory that has a lower operating speed or operating pressure than the tool itself.
- Keep guards in place and in working order. Never operate the product without the guards in place.

## Specific Operation Warnings

### ⚠WARNING

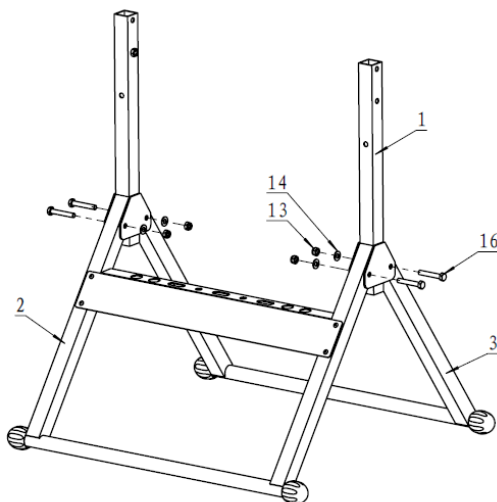
- Always wear the proper protective equipment including ANSI Z87.1 compliant eye protection, a welding helmet, and welding gloves.
- Do not exceed the rated load capacity of 400 lb.
- Never sit or stand on the welding table.
- Use only on a level, hard surface.
- Inspect before each use. Do not use if parts are damaged.
- Keep the table clean for optimal performance. Wipe away dust and debris from the table top and legs.
- Not for use by or around children.

## Main Parts of Table

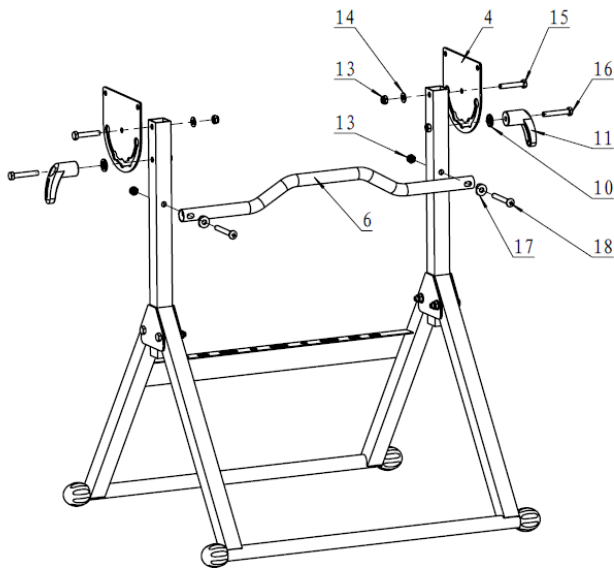
Subassembly
Table Top
Support Leg
Angle Bracket
Support Brace
Rail
Hardware

## Assembly Instructions

1. Attach two Vertical Post-Angle Brackets to two Support Legs (2, 3) using four Washers (14), four M8 Nuts (13), and four M8 x 50 Bolts (16).



- Attach the two Angle Brackets (4) to the Vertical Posts (1) using one Washer (14), M8 Nut (13), and Bolt M8x45 (15) per Post-Bracket assembly. Then attach the Support Brace (6) to the Vertical Posts using two Arc Washers (17), M8 Nuts (13), and M8 x 65 Bolts (18).

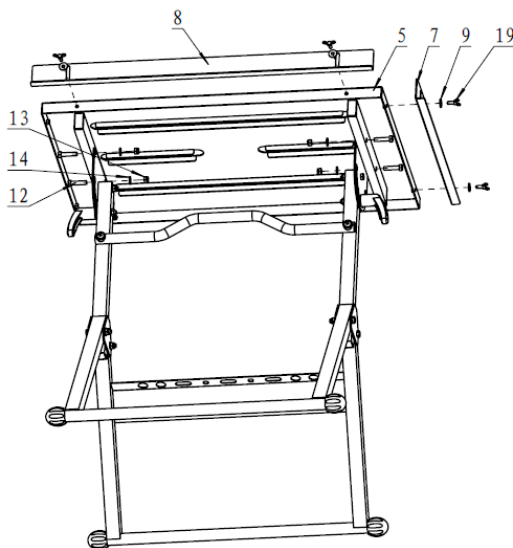


- The two Angle Brackets each have five positive stop positions which allow the Table Top, once attached, to be positioned at five different angles. Prior to attaching the Table Top, ensure that the Brackets are set in the middle position and that the Angle Adjustment Handles are tightened securely.

With assistance, lift the Table Top and place it in position over the upright table stand.

Insert four M8 x35 Bolts (10) through the Angle Brackets and Table Top Support Bar and secure in place using four Washers (14) and M8 Nuts (13). Tighten all hardware.

Place four Washers (9) on the shafts of the four Wing Bolts (19). Attach the Short Guide Rail (7) and the Long Guide Rail (8) in the desired position on the Table Top using the four Wing Bolts and Washers.



## Before Each Use

### **⚠WARNING**

- Inspect the general condition of the welding table. Check for loose hardware misalignment or binding of parts, cracked or broken parts.

## Operating Instructions

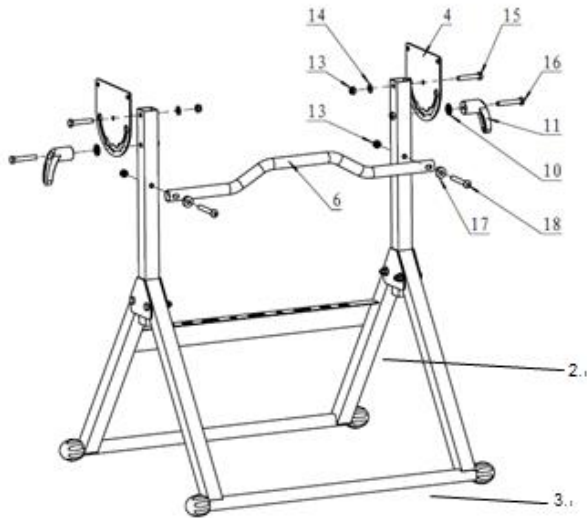
### **⚠WARNING**

- Always wear the proper protective equipment including ANSI Z87.1 compliant eye protection, a welding helmet, and welding gloves.
- Do not exceed the rated load capacity of 400 lb.
- Be aware of dynamic loading! Sudden load movement may briefly create excess load causing product failure.
- Never sit or stand on the welding table.
- Use only on a level, hard surface.
- Inspect before each use. Do not use if parts are damaged.
- Keep the table clean for optimal performance. Wipe away dust and debris from the table top and legs.
- Use only for the intended purpose. Do not sit or stand on the table.
- Use ONLY on a flat, level, and hard surface.
- Not for use by or around children.



## Folding the Table

1. Adjust the two Angle Adjustment Handles (11), and then rotate the Table Top (5).
2. Fold up the two Support Legs (2 and 3).



## Locking the Table

When the Table Top is horizontal, rotate the two angle adjustment handles (11) to lock the table to ensure it's steady.

## Maintaining the Table

Maintain the table by adopting a program of conscientious repair and maintenance in accordance with the following recommended procedures. It is recommended that the general condition of any tool be examined before it is used. Keep your tool in good repair. Keep handles dry, clean, and free from oil and grease. The following chart is based on a normal operation schedule.

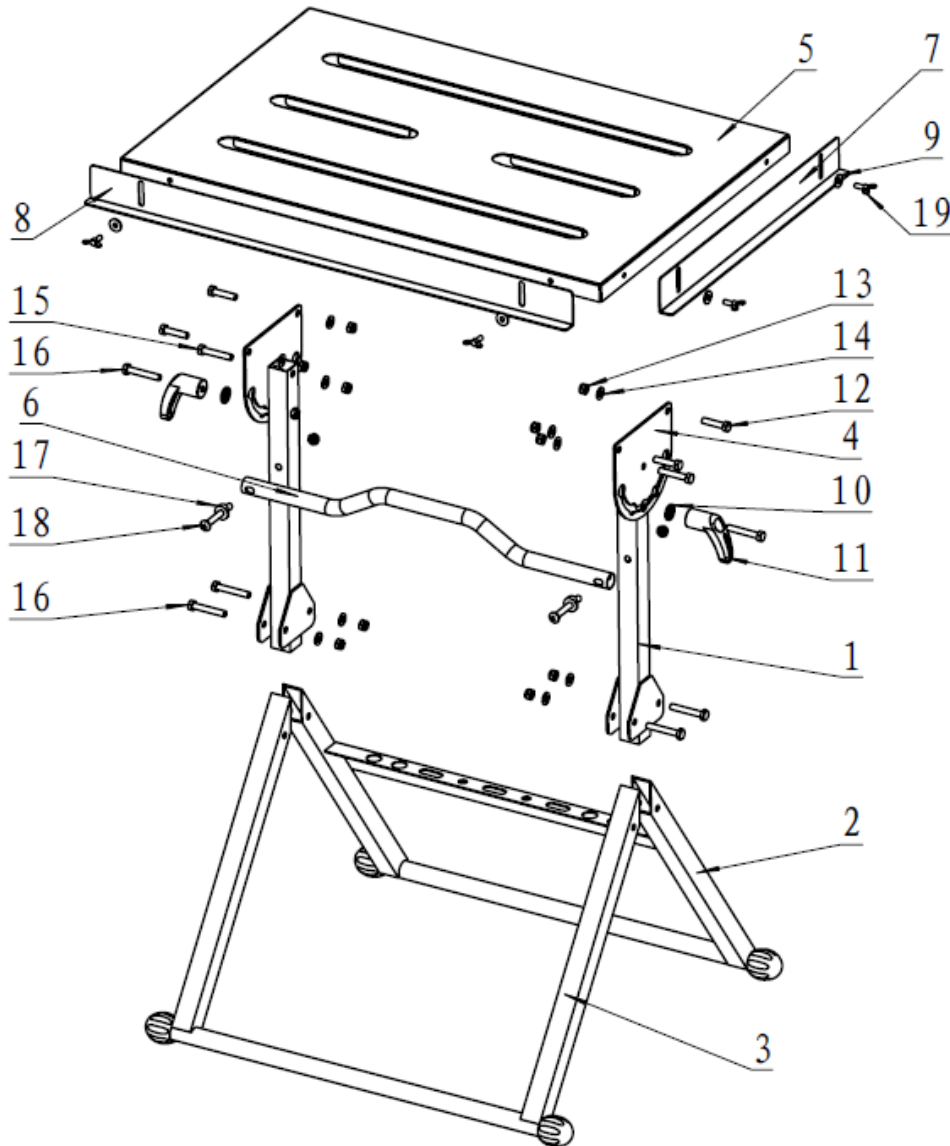
Maintenance Interval	Maintenance Point
After Daily Use	Wipe the external surfaces of the table with a clean cloth.
Periodically	Check if the hardware is loose and tighten it.

## Troubleshooting

Use the table below to troubleshoot problems before contacting service personnel or your local dealer. If the problem continues after troubleshooting, call your local dealer for assistance.

Failure	Possible Cause	Corrective Action
The welding table sits unevenly.	The screws are loose.	Check and tighten all hardware.
	The feet are uneven.	Adjust the feet until the table is steady.

## Parts Diagram



## Parts List

Part Number	Part Description	Quantity
1	Vertical Post	2
2	Support Leg (with name plate)	1
3	Support Leg (without name plate)	1
4	Angle Bracket	2
5	Table Top	1
6	Support Brace	1
7	Short Guide Rail	1
8	Long Guide Rail	1

Part Number	Part Description	Quantity
9	Washer Ø 6.0 mm	4
10	Handle Washer	2
11	Angle Adjustment Handle	2
12	Bolt M8x35	4
13	Nut M8	12
14	Washer Ø 8.0 mm	10
15	Bolt M8x45	2
16	Bolt M8x50	6
17	Arc Washer	2
18	Bolt M8x65	2
19	Wing Bolt M6x15	4

## Replacement Parts

- For replacement parts and technical questions, please call Customer Service at **1-800-222-5381**.
- Not all product components are available for replacement. The illustrations provided are a convenient reference to the location and position of parts in the assembly sequence.
- When ordering parts, the following information will be required: item description, item model number, item serial number/item lot date code, and the replacement part reference number.
- The distributor reserves the rights to make design changes and improvements to product lines and manuals without notice.

## Limited Warranty

Northern Tool and Equipment Company, Inc. ("We" or "Us") warrants to the original purchaser only ("You" or "Your") that the Klutch product purchased will be free from material defects in both materials and workmanship, normal wear and tear excepted, for a period of **one year** from date of purchase. The foregoing warranty is valid only if the installation and use of the product is strictly in accordance with product instructions. There are no other warranties, express or implied, including the warranty of merchantability or fitness for a particular purpose. If the product does not comply with this limited warranty, Your sole and exclusive remedy is that We will, at our sole option and within a commercially reasonable time, either replace the product or product component without charge to You or refund the purchase price (less shipping). This limited warranty is not transferable.

### Limitations on the Warranty

This limited warranty does not cover: (a) normal wear and tear; (b) damage through abuse, neglect, misuse, or as a result of any accident or in any other manner; (c) damage from misapplication, overloading, or improper installation; (d) improper maintenance and repair; and (e) product alteration in any manner by anyone other than Us, with the sole exception of alterations made pursuant to product instructions and in a workmanlike manner.

### Obligations of Purchaser

You must retain Your product purchase receipt to verify date of purchase and that You are the original purchaser. To make a warranty claim, contact Us at 1-800-222-5381, identify the product by make and model number, and follow the claim instructions that will be provided. The product and the purchase receipt must be provided to Us in order to process Your warranty claim. Any returned product that is replaced or refunded by Us becomes our property. You will be responsible for return shipping costs or costs related to Your return visit to a retail store.

### Remedy Limits

Product replacement or a refund of the purchase price is Your sole remedy under this limited warranty or any other warranty related to the product. We shall not be liable for: service or labor charges or damage to Your property incurred in removing or replacing the product; any damages, including, without limitation, damages to tangible personal property or personal injury, related to Your improper use, installation, or maintenance of the product or product component; or any indirect, incidental or consequential damages of any kind for any reason.

### Assumption of Risk

You acknowledge and agree that any use of the product for any purpose other than the specified use(s) stated in the product instructions is at Your own risk.

### Governing Law

This limited warranty gives You specific legal rights, and You also may have other rights which vary from state to state. Some states do not allow limitations or exclusions on implied warranties or incidental or consequential damages, so the above limitations may not apply to You. This limited warranty is governed by the laws of the State of Minnesota, without regard to rules pertaining to conflicts of law. The state courts located in Dakota County, Minnesota shall have exclusive jurisdiction for any disputes relating to this warranty.

# **KLUTCH**

Distributed by:

Northern Tool & Equipment Company, Inc.

Burnsville, Minnesota 55306

[www.northerntool.com](http://www.northerntool.com)

Made in China