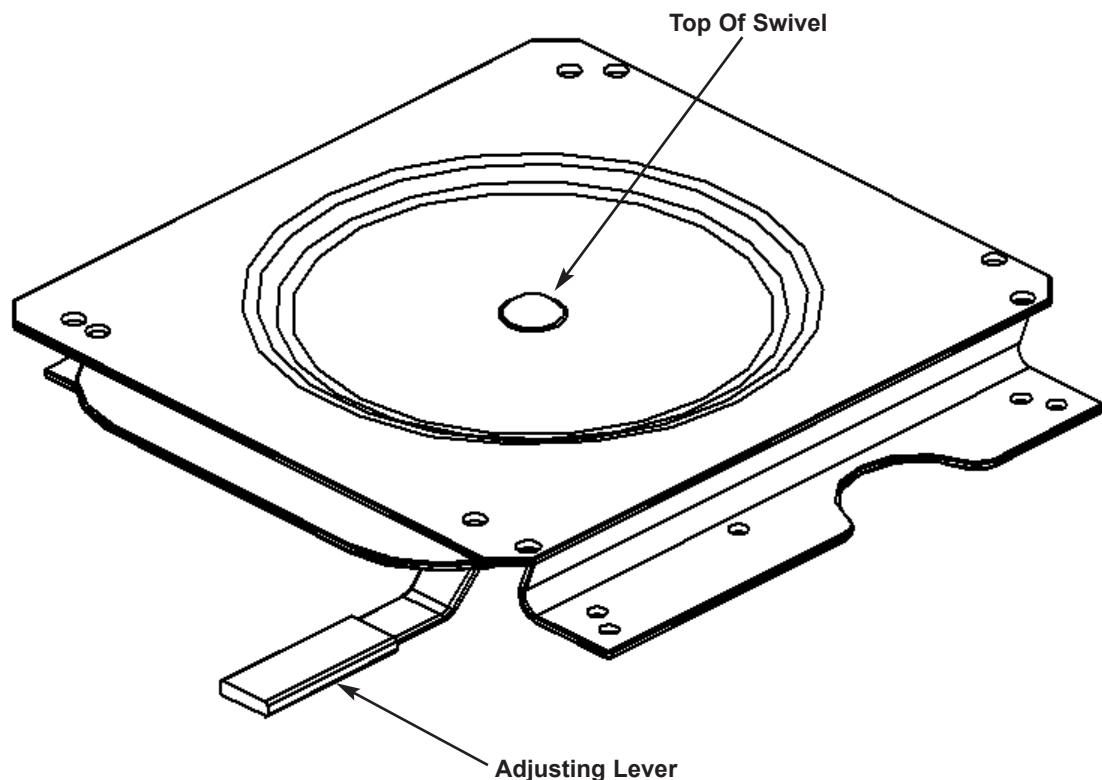


1. Bolt swivel top to seat with four 5/16" x 3/4" hex screws.
2. Bolt swivel bottom to suspension with four 5/16" x 3/4" hex screws.



For Installation with Original hydro-cushion suspension & Personal Posture Seat

1. Remove the seat from the suspension.
2. Remove the attenuator/fore-aft adjustment assembly from the bottom of the seat.
3. Fasten the top of the Swivel 40 directly to the bottom of the seat.
4. Fasten the attenuator/fore-aft adjustment assembly to the bottom of the swivel.
5. Re-install the seat assembly into the tractor.