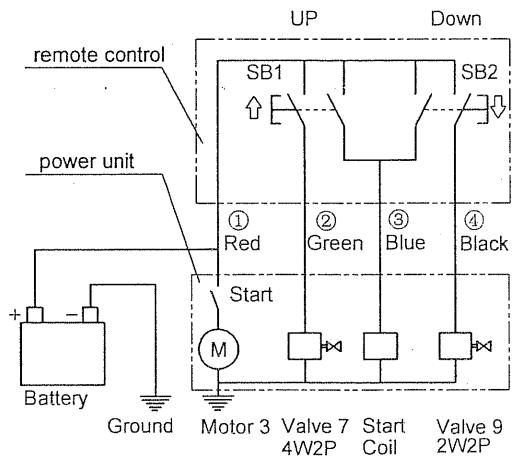


HYDRAULIC SCHEMATIC



ELECTRICAL SCHEMATIC

No.	Description	P/N	Technical data
11	Central Manifold	LBZ-T61KK-1	Aluminium
10	Remote Control	RCA-2B4L6M-H	6 Meters long
9	Solenoid Valve	LSV-08-2NCP-5B	2-Way, 2-Position, 10VDC
8	Low Relief valve	RV-3/4-B	1500PSI
7	Solenoid Valve	LSV2-08-4CO-5B	4-Way, 2-Position, 10VDC
6	Check valve	ICV2000-G14	
5	System Relief valve	RV-3/4-A	Preset at 3200 PSI
4	Gear pump	CBK-F2.1F	2.1cc/r
3	Motor	DM11-1AWU-3BC1R-B	12VDC, 2KW, S3 duty
2	Suction Filter	YBZ-GLQ-G3/8-Ø62.5	
1	Tank	YBZ-SLYX-6L-N	Plastic, White, 6L Usable, Horizontal

技术中心  
2014年10月8日

Mark ports and RVs in 4.3mm height fonts

Designed by <i>史蔚</i> 2014.10.6	Checked by <i>夏一江</i>	Reviewed by <i>何斌</i>	Approved by <i>Rejun Zhou</i> Dec. 07 2014
---------------------------------------	--------------------------	--------------------------	--

Name: Hydraulic Power Unit	
P/N: YBZ5-F2.1B1A61/WUUTT2	Rev.: A
Part P/N: DTP-4206	

**Deli** Wuxi Deli Hydraulics Co., Ltd.  
www.wx-dl.com tech@wx-dl.com