



## 400-LB. CAPACITY YARD CART

### OWNER'S MANUAL



**⚠ WARNING:**  
Read carefully and understand all ASSEMBLY AND OPERATION INSTRUCTIONS before operating. Failure to follow the safety rules and other basic safety precautions may result in serious personal injury.

Item #46441



## 400-LB. CAPACITY YARD CART

### OWNER'S MANUAL

Thank you very much for choosing an Ironton™ product. For future reference, please complete the owner's record below:

Model: \_\_\_\_\_ Purchase Date: \_\_\_\_\_

Save the receipt, warranty and these instructions. It is important that you read the entire manual to become familiar with this product before you begin using it.

This item is designed for certain applications only. The distributor cannot be responsible for issues arising from modification. We strongly recommend this item not be modified and/or used for any application other than that for which it was designed. If you have any questions relative to a particular application, DO NOT use the kit until you have first contacted the distributor to determine if it can or should be performed on the product.

For technical questions please call 1-800-222-5381.

#### INTENDED USE

Industrial-grade Jumbo Wagon handles heavy loads up to 1400 lbs. Perfect for hauling patio blocks, firewood, gardening supplies and much more. Front, rear and side panels fold away or detach completely for easy loading and unloading.

#### TECHNICAL SPECIFICATIONS

Item	46441
Capacity	400lbs. (14 cubic feet)
Tires	26in. Spoked, pneumatic tires
Construction	Plywood
Production Dimensions	67 1/2in.L x 37 23/32in. W x 29 13/16in.H

#### GENERAL SAFETY REGULATIONS

- ⚠ WARNING:** Read and understand all instructions. Failure to follow all instructions listed below may result in serious injury.
- ⚠ CAUTION:** Do not allow persons to operate or assemble this dump cart until they have read this manual and have developed a thorough understanding of how the dump cart works.
- ⚠ WARNING:** The warnings, cautions, and instructions discussed in this instruction manual cannot cover all possible conditions or situations that could occur. It must be understood by the operator that common sense and caution are factors that cannot be built into this product, but must be supplied by the operator.
1. **Keep the work area clean and dry.** Damp or wet work areas can result in injury.
  2. **Keep children away from work area.** Do not allow children to handle this product.
  3. **Store idle equipment.** When not in use, tools and equipment should be stored in a dry location to inhibit rust. Always lock up tools and equipment, and keep out of reach of children.
  4. **Use the right tool for the job.** Do not attempt to force small equipment to do the work of larger industrial equipment. There are certain applications for which this equipment was designed. It will do the job better and more safely at the capacity for which it was intended. Do not modify this equipment, and do not use this equipment for a purpose for which it was not intended.
  5. **Check for damaged parts.** Before using this product, carefully check that it will operate properly and perform its intended function. Check for damaged parts and any other conditions that may affect the operation of this product. Replace damaged or worn parts immediately.
  6. **Do not overreach.** Keep proper footing and balance at all times to prevent tripping, falling, back injury, etc.
  7. **DO NOT use the equipment when tired or under the influence of drugs, alcohol, or medication.** A moment of inattention while operating this equipment may result in serious personal injury.

8. Industrial applications must follow OSHA requirements.

### SPECIFIC OPERATION WARNINGS

1. Do not modify the cart in any way. Unauthorized modification may impair the function and/or safety and could affect the life of the equipment. There are specific applications for which the yard cart was designed.
2. Always check for damaged or worn out parts before using the yard cart. Broken parts will affect the dump cart operation. Replace or repair damaged or worn parts immediately.
3. Do not at any time carry passengers or sit or stand on the cart.
4. Do not exceed maximum load capacity of 400 lbs.
5. Avoid large holes and ditches when transporting loads.
6. Be careful when operating on steep grades; the cart may tip over.
7. Always use caution when loading and unloading the cart.
8. Always secure and lock the loads.

### ASSEMBLY

Take all parts out of the shipping crate and inspect components to ensure there are no missing pieces before starting to assemble the cart. Follow steps 1 through 4. Refer to the diagram and parts list.

#### Tool Required

- Pliers
- Screwdriver
- Wrench

#### STEP 1 Attach the Wheels (See Fig. 1)

1. Put the L-shaped frames on floor (2).
2. Insert the axle (3) through the holes on L-shaped frames (2).
3. Slide wheels (1) onto axle (3), and then lock the wheels (1) with washer (4) and lock pin (5).

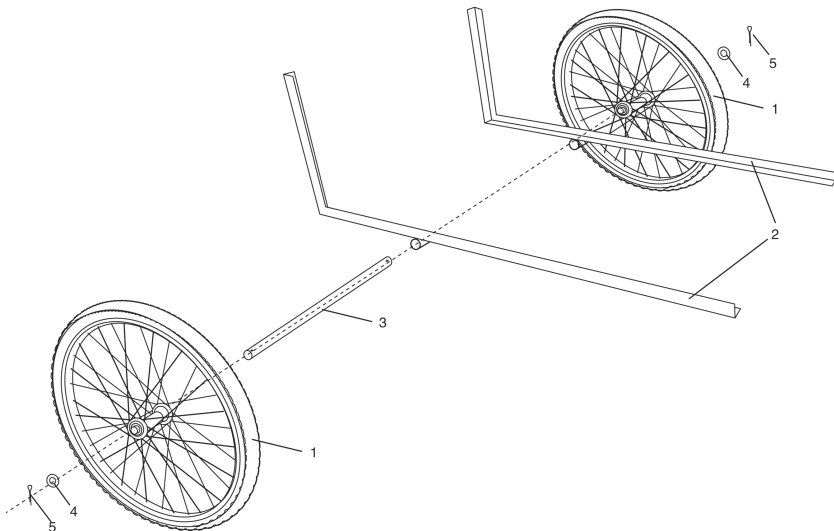


Fig. 1

#### STEP 2: Attach Wood Floor Bed (See Fig. 2)

1. Put Wood Floor Bed (6) onto L-Shaped Frame (2).
2. Attach Wood Floor Bed (6), L-Shaped Frame (2) and Support Frame (7) together, tightening with Bolt (8) & (17), Washer (11) and Lock Nut (12).
3. Assemble Rear Connect Bar (9) on L-Shaped Frame (2) with Lock Nut (12).

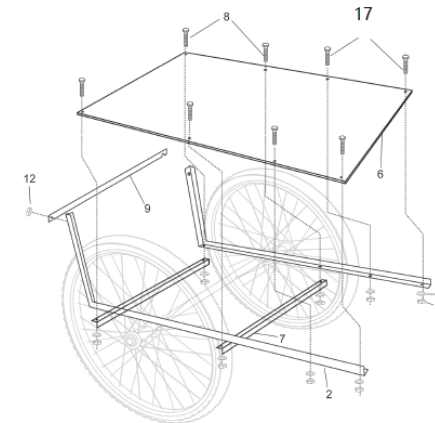


Fig. 2

#### STEP 3: Attach Panels (See Fig. 3)

1. Attach Side Panel (13) and Leg Support (15) to the L-Shaped Frame (2), tightening with Bolt (8), (17) & (18), Washer (11) and Lock Nut (12).
2. Attach Side Connect Bar (16) on Side Panel (13) and Leg Support (15), tightening with Bolt (8), (10) Washer (11) and Lock Nut (12).
3. Slide Rear Panel (14) into the cart.

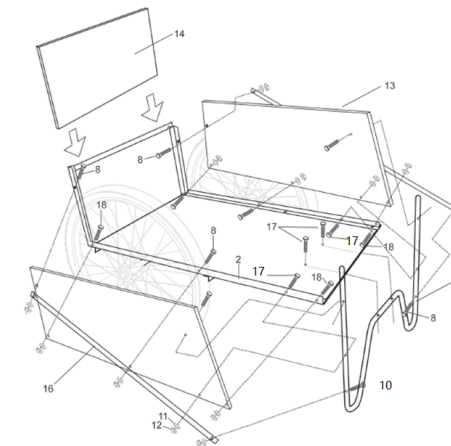


Fig. 3

**STEP 4: Attach Handle (See Fig. 4 & Fig. 5)**

1. Loosen Washer (11), Lock Nut (12), then assemble Handle (19) on Side Panel (11), using with Washer (11) and Lock Nut (12) to tighten.
2. Tighten all bolts, washers and nuts. Cart is ready for use.

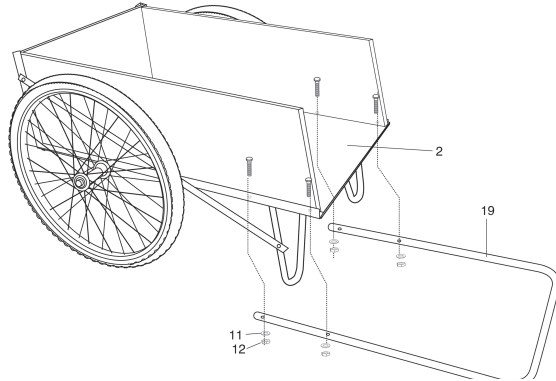


Fig. 4

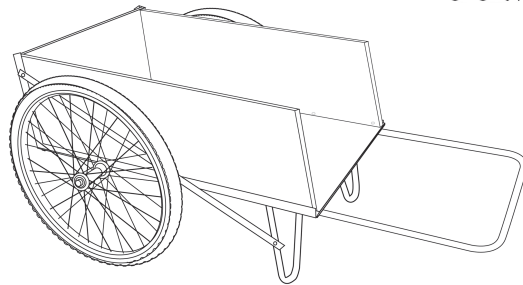


Fig. 5

**OPERATION**

**WARNING:** Before using the yard cart, review all safety information and the instructions below.. Failure to follow these instructions may result in property damage or injury to the operator or bystanders.

**USING YOUR YARD CART**

1. **DO NOT** exceed rated capacity of 400lbs. (182kgs).
2. **DO NOT** over fill the cart.
3. **ALWAYS** use the cart for its intended purpose.
4. **ALWAYS** secure the loads when in use.

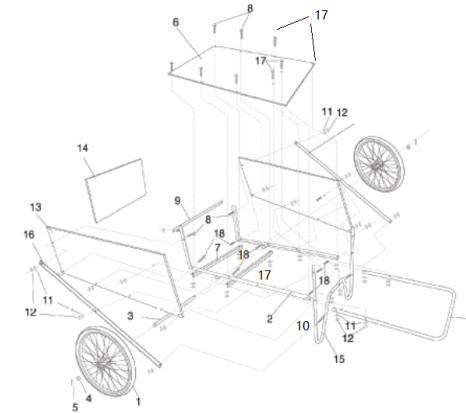
**MAINTENANCE**

- **Maintain your yard cart.** It is recommended that the general condition of any cart be examined before it is used. Keep your cart in good repair by adopting a program of conscientious repair and maintenance. Have necessary repairs made by qualified service personnel.
- After each use, clean material out of the cart box.
- Clean up inside and outside of the cart after each use.
- Before operating, make sure the tires have the **RECOMMENDED TIRE PRESSURE OF 40 PSI.**
- Grease the axle and the wheel bearing area as needed.
- Periodically check all fasteners for tightness.
- Annually clean and lightly lubricate parts.
- Use a glossy enamel spray paint to touch up scratched or worn painted metal surfaces.
- Never exceed load capacity rating of 400lbs. (182kgs).

**STORAGE**

- Never allow material to remain in the cart for extended periods of time.
- Before storing, make sure the cart is clean and dry. Proper storage will ensure years of trouble free service.
- Store indoors or in a protected area during severe weather and winter months.

**DRAWING & PARTS LIST**



Part No.	Description	Q'ty	Part No.	Description	Q'ty
1	Wheel	2	11	Washer Ø6	25
2	L-Shaped Frame	2	12	Nylon Lock Nut M6	25
3	Axle	1	13	Side Panel	2
4	Washer Ø16	2	14	Rear Panel	1
5	R Pin	2	15	Leg Support	1
6	Wood Floor Bed	1	16	Side Connect Bar	2
7	Support Frame	2	17	Screw M6*45	10
8	Bolt M6*30	6	18	Screw M6*25	6
9	Rear Connect Bar	1	19	Handle	1
10	Screw M6*30	2			

For technical questions and replacement parts, please call 1-800-222-5381.

**WARRANTY**

One-Year Limited Warranty



Distributed by  
Northern Tool + Equipment Co., Inc.  
Burnsville, MN 55306-6936  
NorthernTool.com  
Made in China