



**35 TON AIR/HYDRAULIC
SERVICE JACK
OWNER'S MANUAL**



WARNING:

Read carefully and understand all **ASSEMBLY AND OPERATION INSTRUCTIONS** before operating. Failure to follow the safety rules and other basic safety precautions may result in serious personal injury.

Item# 46201

Thank you very much for choosing a Strongway product! For future reference, please complete the owner's record below:

Model: _____ Purchase Date: _____

Save the receipt, warranty and these instructions. It is important that you read the entire manual to become familiar with this product before you begin using it.

This machine is designed for certain applications only. The distributor cannot be responsible for issues arising from modification. We strongly recommend this machine not be modified and/or used for any application other than that for which it was designed. If you have any questions relative to a particular application, DO NOT use the machine until you have first contacted the distributor to determine if it can or should be performed on the product.

For technical questions please call **1-800-222-5381**.

INTENDED USE

This pneumatic heavy-duty 35 -Ton Strongway Air/Hydraulic Quick Lift Service Jack has a powerful air motor to lift heavy loads. A quick lift system allows the lifting ram to come in contact with the load faster. The compact design easily fits between dual tandem axles. Ideal for lifting axles, farm vehicles, heavy-duty machinery, industrial equipment and more.

TECHNICAL SPECIFICATIONS

	Description
Item	46201
Capacity	35 Tons (70,000 lbs.)
Min. Lift Height (in.)	9-5/8 in.
Max. Lift Height (in.)	19-1/4 in.
Screw Top Adjustment(in.)	4-1/2 in.
Operation	Air
Working Pressure (PSI)	100 to 120
Air Inlet Size (in. ZG)	1/4in.
Safety Valve	Yes
Base L x W (in.)	21.73in. x 12.44in.

Safe Operating Temperature is between 40°F – 105°F (4°C - 41°C)

GENERAL SAFETY RULES



WARNING: Read and understand all instructions. Failure to follow all instructions listed below may result in serious injury.



CAUTION: Do not allow persons to operate or assemble this Jack until they have read this manual and have developed a thorough understanding of how the Jack works.



WARNING: The warnings, cautions, and instructions discussed in this instruction manual cannot cover all possible conditions or situations that could occur. It must be understood by the operator that common sense and caution are factors that cannot be built into this product, but must be supplied by the operator.

SAVE THESE INSTRUCTIONS

IMPORTANT SAFETY CONSIDERATIONS

JACK USE AND CARE

- **Do not modify the Jack in any way.** Unauthorized modification may impair the function and/or safety and could affect the life of the equipment. There are specific applications for which the **Jack** was designed.
- **Always check of damaged or worn out parts before using the Jack.** Broken parts will affect the **Jack** operation. Replace or repair damaged or worn parts immediately.
- **Store idle Jack.** When **Jack** is not in use, store it in a secure place out of the reach of children. Inspect it for good working condition prior to storage and before re-use.
- **Not for use by children** or people with reduced mental capacity.
- **Do not use under the influence of drugs or alcohol.**
- **Ensure children and other bystanders** are kept at a safe distance when using crane.

INSPECTION

- Inspect the jack carefully before each use. Ensure the jack is not damaged, excessively worn, or missing parts.
- Do not use the jack unless it is properly lubricated.
- Using a jack that is not in good clean working condition or properly lubricated may cause serious injury.
- Inspect the work area before each use. Make sure it is free and clear of any potential hazards.

DO NOT OPERATE OR REPAIR THIS EQUIPMENT WITHOUT READING THIS MANUAL.

To maintain the Transmission Jack and user safety, the owner is responsible for reading and following these instructions.

- Inspect the service jack for proper operation and function.
- Keep instructions readily available for equipment operators. Make certain all equipment operators are properly trained; understand how to safely and correctly operate the unit.
- Allow unit operation only with all parts in place and operating properly.
- Use only genuine replacement parts. Service and maintain the unit only with authorized or approved replacement parts negligence will make the jack unsafe for use and void the warranty.
- Carefully inspect the unit on a regular basis and perform all maintenance as required.
- Store these instructions in the handle of your jack. Keep all decals on the unit clean and visible.
- Safety: always follow safety precautions when installing and operating this jack.
- Before proceeding ensure that you fully understand and comprehend the full contents of this manual.
- Failure to operate this equipment as directed may cause injury or death.
- The distributor is not responsible for any damages or injury caused by improper use or neglect

Always use Jack Stands!

DO NOT USE wood blocks or any other non-approved load sustaining devices. The manufacturer only warrants loads to be sustained by jack stands that meet current ASME standards.

DO NOT USE wood blocks or any other non-approved lifting keeping for a means of lifting with the jack and or load being raised. Failure to heed these warnings may cause injury or death.

SAFETY MARKINGS



WARNING:

1. Study, understand, and follow all instructions before operating this device.
2. Do not exceed rated capacity.
3. Use only on hard, level surfaces.
4. Lifting device only. Immediately after lifting, support the vehicle with appropriate means.
5. Do not move or dolly the vehicle while on the jack.
6. Lift only on areas of the vehicle as specified by the vehicle manufacturer.
7. No alterations shall be made to this product.
8. Only attachments and/or adapters supplied by the manufacturer shall be used.
9. Do not get under or allow anyone under the vehicle until it has been supported by jack stands.
10. Center load on saddle prior to lifting.
11. Use wheel chocks or other blocking device on opposing wheels before using jack.
12. Do not use this jack for any use other than the manufacturer specified usage.
13. Failure to heed these markings may result in personal injury and/or property damage.



GENERAL SAFETY INSTRUCTIONS

* **Position the Jack**

Position the jack to only lift on the areas of the vehicle as specified by the vehicle manufacturer.

* **Always Use Jack Stands**

After lifting the vehicle always support the load with appropriately rated vehicle Jacks stands before working on the vehicle.

* **Do Not Overload Jack**

Do not overload this jack beyond its rated capacity. Overloading this jack beyond its rated capacity can cause damage to or failure of the jack.

* **Always Use on Hard Level Surfaces**

This jack is designed only for use on hard level surfaces capable of sustaining the load. Use on unstable or other possible loss of load.

* **Chock and Block (Stabilize)**

-Apply parking brake in vehicle before operating jack. -A chock is a wedge for steadying an object and holding it motionless, or for preventing the movement of a wheel

-Chock the wheel opposite the end being lifted.

-When you block a load, you secure and support a load that is being lifted. The block(s) or stabilizer(s) should have a weight capacity that is greater than the weight of the load which is being lifted.

* **Center Load on Jack Saddle**

Center the load on jack saddle before lifting vehicle.

Off-center loads and loads lifted when the jack is not level can cause loss of load or damage to the jack.

* **Do not raise or lower the vehicle unless tools, materials and people are clear.**

When the lift is being lowered, make sure everyone is standing at least six feet away. Be sure there are no tools or equipment left under or around the jack before lowering.

* **Always lower the jack slowly.**

DO NOT USE THE JACK TO SUPPORT OR STABILIZE A LOAD.

Using the jack to support or stabilize a load may result in unexpected movement and result in serious injury, being crushed and death. Always securely chock and block (stabilize) the load to be lifted. Never place any part of the body under a raised load without properly chocking and supporting the load.

* **Never use the jack on curved or tubular vehicle**

Bumpers, this will result in the vehicle slipping off the jack and falling, causing serious injury or death. Use a bumper lift for vehicles with curved bumpers or plastic bumpers.

* **Wear ANSI-approved safety glasses and heavy-duty work gloves during use.**

* **Do not adjust the safety valve.**

* **Do not move or dolly vehicle while jack is in use.**

* **Stay alert. Use caution and common sense when operating jack.** Do not use a jack if you are tired, incoherent, dizzy, or under the use of drugs or alcohol.

Training

-Read this manual before use. Do not allow anyone who has not read this manual, and/or does not understand the requirements, to use the jack.

Spectators

-Do not allow bystanders around the jack or under the load supported only by the jack. -Do not allow anyone in the vehicle while the jack is in use. Keep all bystanders away from vehicle when in use.

Inspection

-Inspect the jack carefully before each use. Ensure the jack is not damaged, excessively worn, or missing parts. -Do not use the jack unless it is properly lubricated. -Using a jack that is not in good clean working condition or properly lubricated may cause serious injury.

Additional Notes:

Save the receipt, warranty and these instructions.

Do not modify the jack in any way. Unauthorized modification may impair the function and/or safety and could affect the life of the equipment. There are specific applications for which the jack was designed.

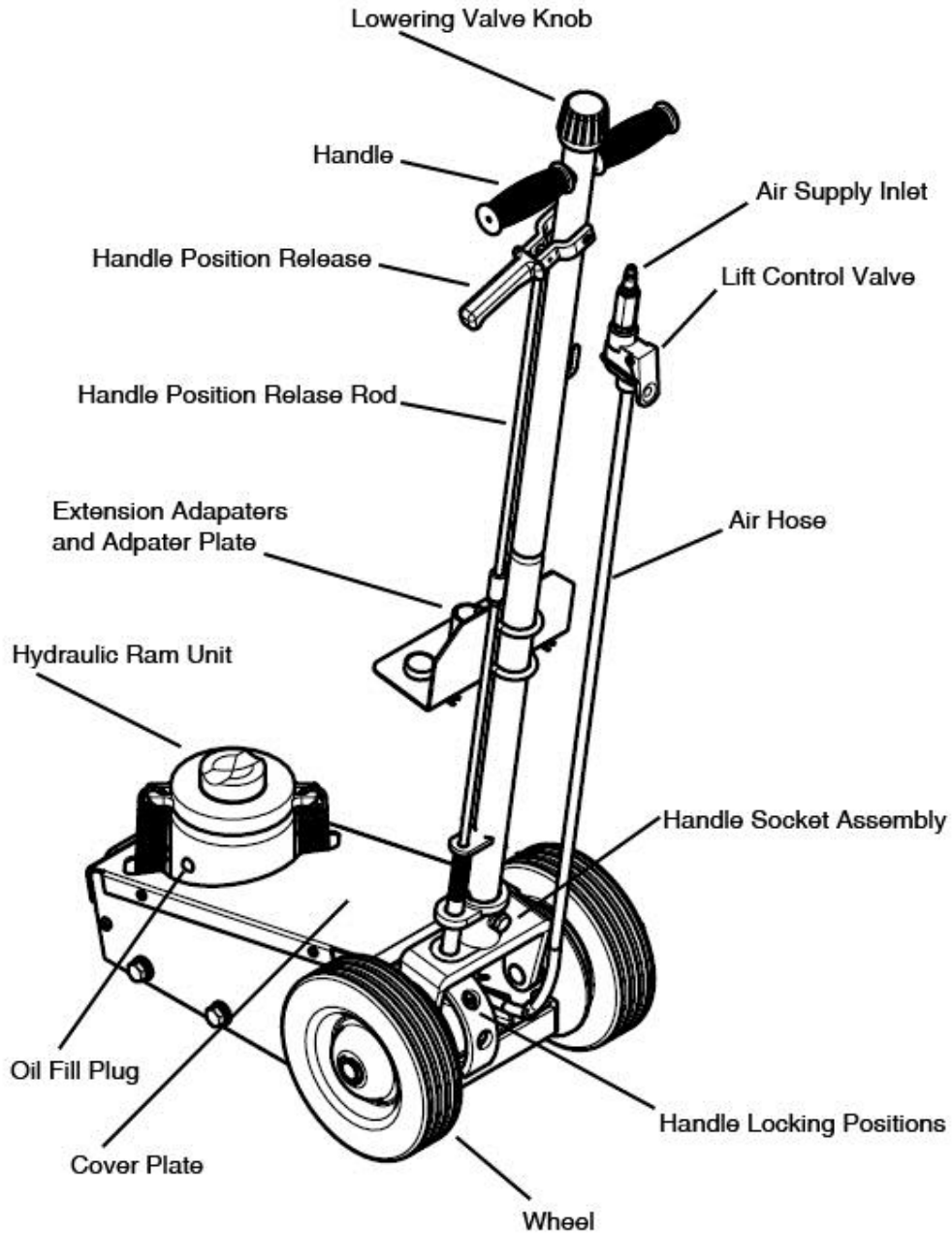
Always check for damaged or worn out parts before using the jack. Broken parts will affect the equipment operation. Replace or repair damaged or worn parts immediately.

When jack is not in use, store it in a secure place out of the reach of children. Inspect it for good working condition prior to storage and before re-use.

ASSEMBLY

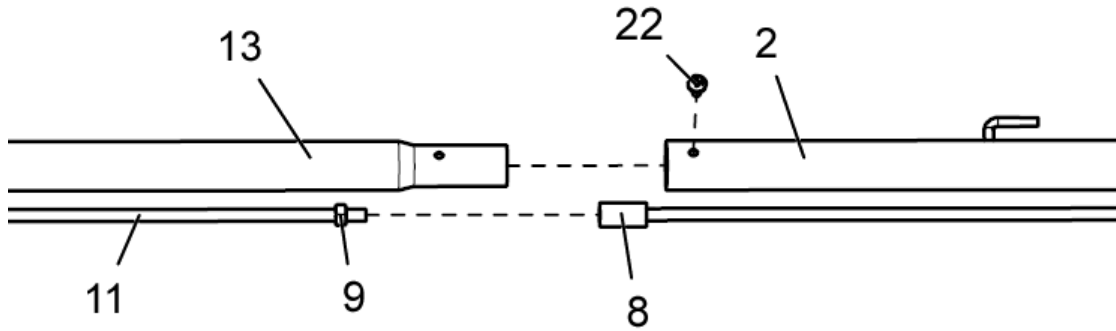
All numbers in parenthesis () refer to the index number from the parts breakdown.

1. Familiarize yourself with the jack.

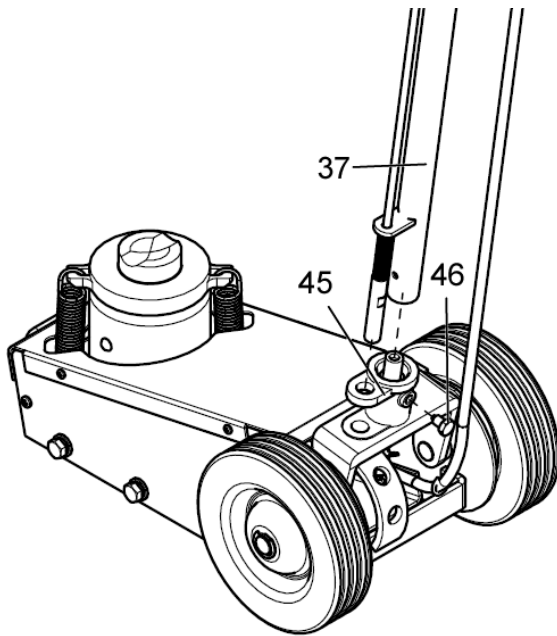


2. Refer to picture when performing this step. Take off the screw located on handle piece 1; Attach handle pieces 1 and 2 making sure to align the holes on both sections. Reinsert the screw and tighten. Check to that handle is in perfect alignment with internal lowering valve mechanism. (Handle lowering mechanism must be in perfect alignment or release mechanism will not work.).

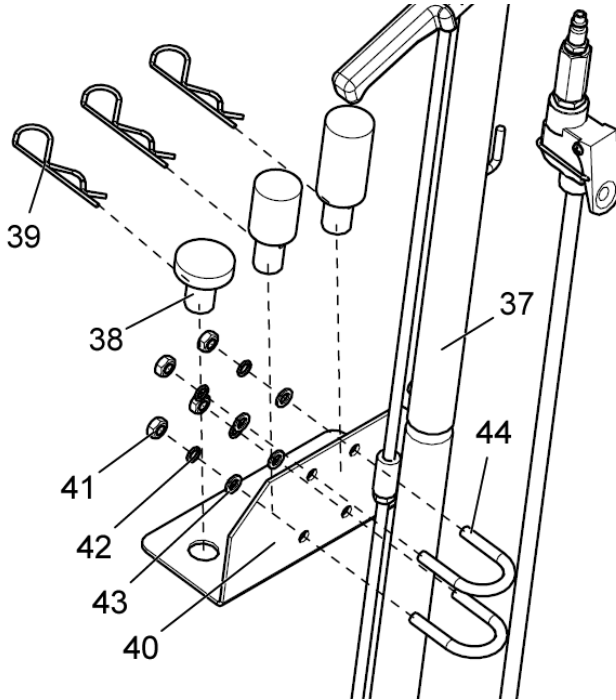
3. Attach handle position release rod.
4. Check movement of both Pieces before next step.




5. Insert the handle (37) into handle sleeve (45) and affix the handle (37) using bolt (46).



- Carefully place the adapter plate (40) onto the handle (37) with U-bolts (44), washer (43), lock washer (42) and nut (41). Place extension adapters on the plate and secure with spring clips (39).



 **WARNING:** Do not lift or carry jack by handle. Handle could dislodge and jack may fall, resulting in possible injury or property damage.

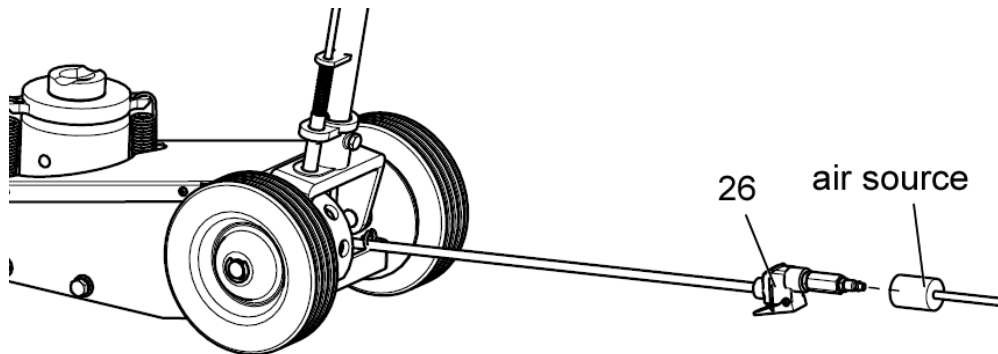
SYSTEM AIR PURGE PROCEDURE

IMPORTANT: BEFORE FIRST USE

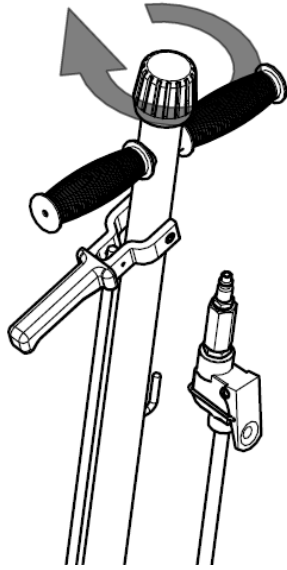
Perform the following Air Purge Procedure to remove any air that may have been introduced into the hydraulic system as a result of product shipment and handling. This step is to be completed without any weight on the jack.

All numbers in parenthesis () refer to the index number from the parts breakdown.

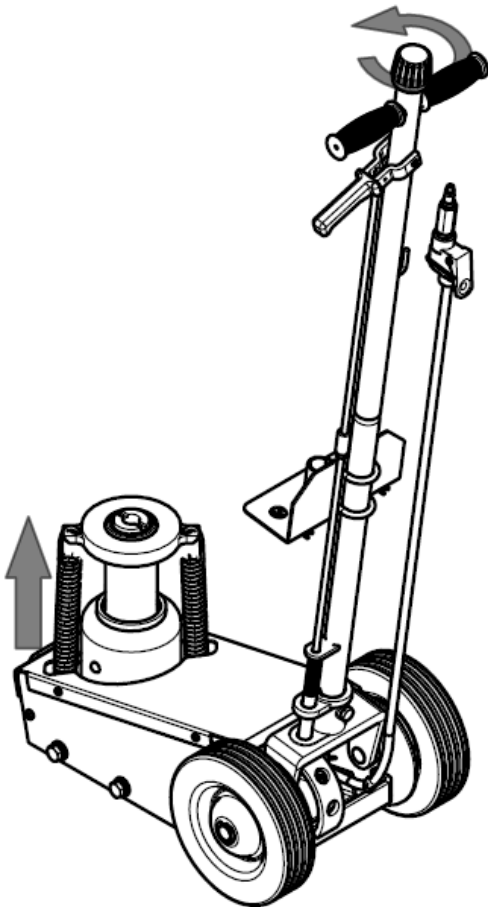
- Connect air supply inlet to air source.



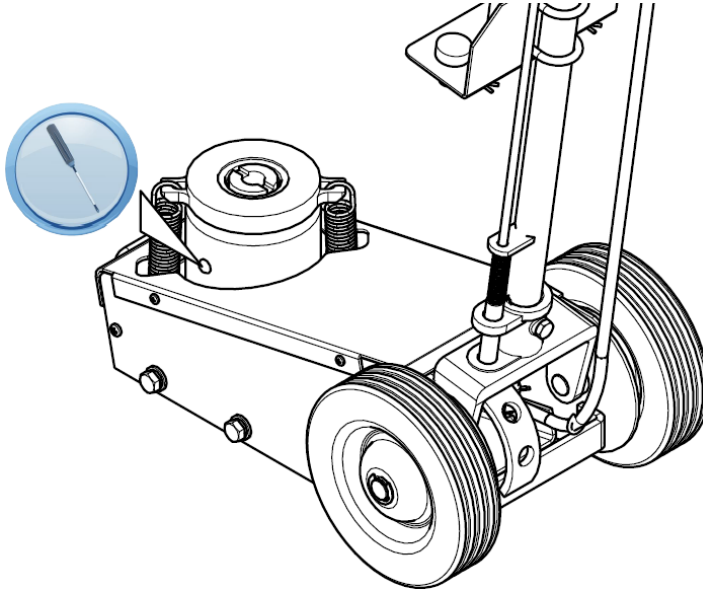
2. Close the release valve by turning the handle knob clockwise until firm resistance is felt.



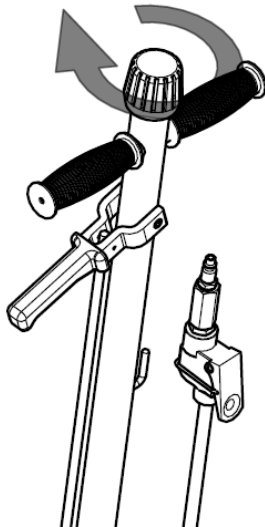
3. When the saddle reaches Max. Lift Height, then turn the handle knob counter-clockwise.



4. When the saddle reaches Min. Lift Height, with a flat blade screwdriver, push the oil fill plug slightly to the side to purge trapped air from system.



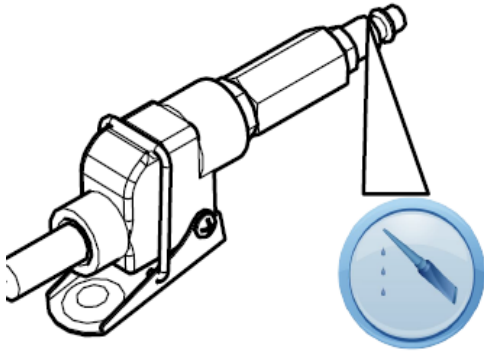
5. Close the release valve by turning the handle knob clockwise until firm resistance is felt.



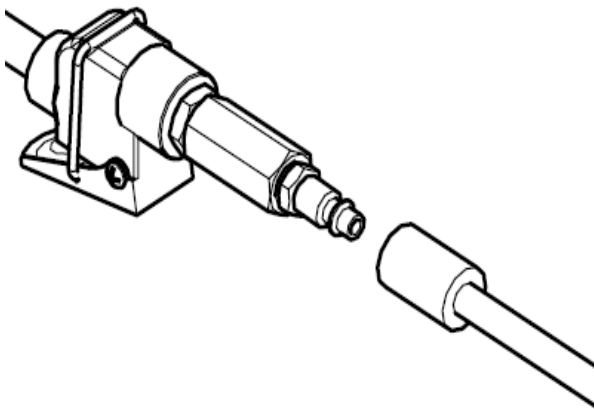
6. Jack is now ready for use. Check for proper pump action.

BEFORE USE

1. Before using this product, read the owner's manual completely and familiarize yourself thoroughly with the product and the hazards associated with its improper use.
2. Perform the air purge procedure. (See previous instructions for system purge procedure.)
3. Pour a teaspoon of good quality, air tool lubricant into the air supply inlet of the lift control valve. (See illustration) Connect to air supply and operate for 3 seconds to evenly distribute lubricant.



4. Check and that the pump operates smoothly before putting into service.
5. This product is fitting use standard 1/4" NPT air fitting. If changing the fitting is required, install a 1/4" NPT fitting of your choice, ensure that thread tape or compound is used to seal connection.



6. Inspect before each use. Do not use if bent, broken or cracked components are noted.

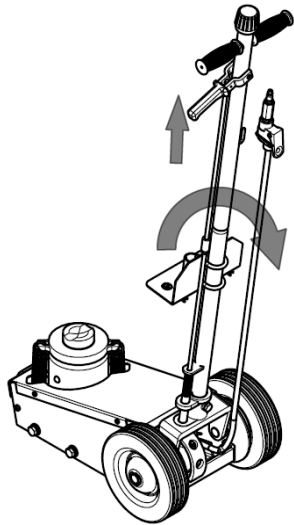
OPERATION

RAISING THE JACK

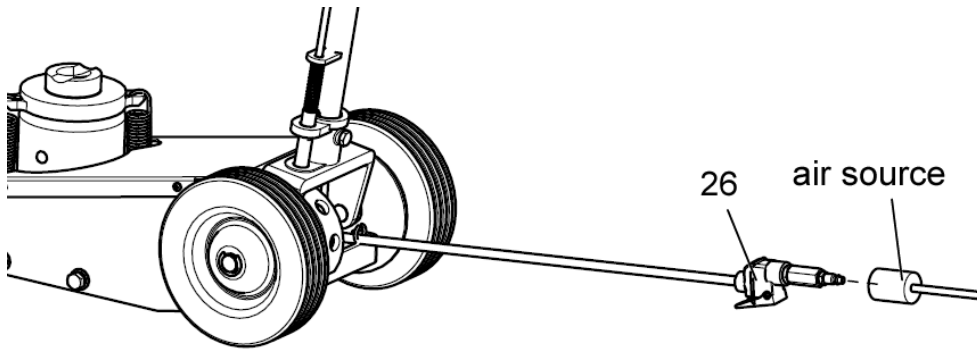
Note: The jack is equipped with a handle position lock. To adjust the handle, release lock device by pulling the lever up, lever is spring loaded and will lock into desired position. Ensure lever locking mechanism is fully engaged before letting go of the handle.

1. Block the vehicle's wheels for lifting stability. Secure the load to prevent inadvertent shifting and movement
2. Position the jack near desired lift point.
3. Set the Parking Brake in the vehicle.

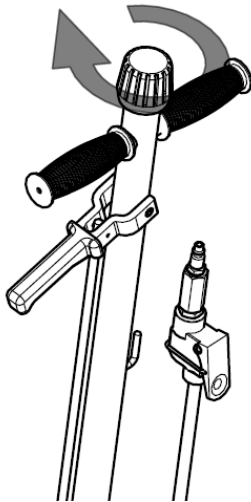
4. Refer to the vehicle manufacturer owner's manual to locate approved lifting points on the vehicle. Position the jack so that the saddle is centered and will contact the load lifting point firmly.
5. Assemble the handle, ensure that spring clips align with slots.
6. Close the release valve by turning it clockwise until it is firmly closed.



7. Connect air source to the air supply inlet (26).




8. Close the release valve by turning the handle knob clockwise until firm resistance is felt.



9. Before raising the vehicle double check and verify the saddle is centered and also has full contact with the lifting point.
10. Squeeze air trigger to lift until saddle contacts load. (To stop air operation, simply release the grip on the lift control valve.) Continue to pump the jack to lift the vehicle to the desired height.

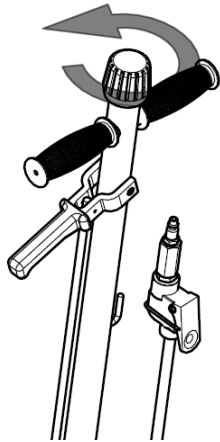


11. After lifting, support the load with appropriately rated vehicle support stands before working on the vehicle.

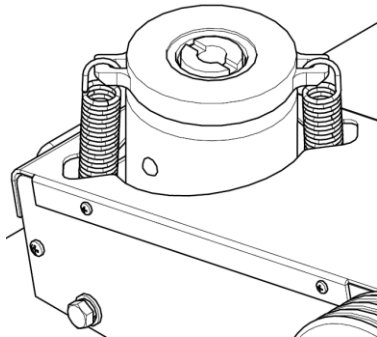
 **CAUTION:** NEVER WIRE, CLAMP OR OTHERWISE DISABLE THE LIFT CONTROL VALVE TO FUNCTION BY ANY MEANS OTHER THAN BY USING THE OPERATOR'S HAND. USE THE HANDLE PROVIDED WITH THIS PRODUCT OR AN AUTHORIZED REPLACEMENT HANDLE TO ENSURE PROPER RELEASE VALVE OPERATION. DO NOT USE EXTENSIONS ON THE OPERATING HANDLE

LOWERING


1. Raise load high enough to allow clearance for the jack stands to be removed, then carefully remove jack stands.
2. Remove support stands.
3. Grasp the handle firmly.. Securely hold on to the jack handle so your hands do not slip and ensure the release valve does not rapidly lower.
4. Carefully open the Release Valve by slowly turning the handle counterclockwise. (Do not allow bystanders around the jack or under the load when lowering the jack.)




5. After removing jack from under the vehicle, fully retract the jack to reduce ram exposure to rust and contamination.



6. After removing jack from under the load, push ram and handle sleeve down to reduce exposure to rust and contamination.

 **WARNING:** USE EXTREME CAUTION WHEN LOWERING THE JACK. THE JACK HANDLE MAY TURN RAPIDLY. OPENING THE RELEASE VALVE TOO FAST CAN CAUSE THE JACK TO LOWER RAPIDLY. FAILURE TO HEED THESE WARNINGS COULD CAUSE SERIOUS INJURY OR DEATH.

 **CAUTION:** Be sure all tools and personnel are clear before lowering load. Slowly open the release valve! The more you turn the handle knob counterclockwise, the faster the load will come down. Maintain control of the rate of speed at which the load lowers at all times!

MAINTENANCE INSTRUCTIONS

If you use and maintain your equipment properly, it will give you many years of service. Follow the maintenance instructions carefully to keep your equipment in good working condition. Never perform any maintenance on the equipment while it is under a load.

Inspection

You should inspect the product for damage, wear, broken or missing parts (e.g.: pins) and that all components function before each use. Follow lubrication and storage instructions for optimum product performance.

Binding

If the product binds while under a load, use equipment with equal or a larger load capacity to lower the load safely to the ground. After un-binding; clean, lubricate and test that equipment is working properly. Rusty components, dirt, or worn parts can be causes of binding Clean and lubricate the equipment as indicated in the lubrication section. Test the equipment by lifting without a load. If the binding continues, contact Customer Service.

Cleaning

If the moving parts of the equipment are obstructed, use cleaning solvent or another good degreaser to clean the equipment. Remove any existing rust, with a penetrating lubricant.

Lubrication

This equipment will not operate safely without proper lubrication. Using the equipment without proper lubrication will result in poor performance and damage to the equipment. Some parts in this equipment are not self-lubricating inspect the equipment before use and lubricate when necessary. After cleaning, lubricate the equipment using light penetrating oil, lubricating spray.

-Use a good lubricant on all moving parts.

-For light duty applications, use lubrication once a month.

-For heavy and constant use, lubrication is recommended every week.

-NEVER USE SANDPAPER OR ABRASIVE MATERIAL ON THESE SURFACES!

Rust Prevention:

-Check rams and pump plungers on the power unit assemblies daily for any signs of rust or corrosion.

Without a load, lift the equipment as high as it goes and look under and behind the lifting points. If signs of rust are visible clean as needed.

Grease Fittings

-Some models contain grease fittings that will regularly need to be greased and lubricated.

How the Jack Operates

With release valve closed, an upward stroke of the jack handle draws oil from the reservoir tank into the plunger cavity. Hydraulic pressure holds the valve closed, which keeps the oil in the plunger cavity. A downward stroke of the jack handle releases oil into the cylinder, which forces the ram out. This raises the saddle. When the ram reaches maximum extension, oil is bypassed back into the reservoir to prevent an over extended ram stroke and possible damage to the jack. Opening the release valve allows oil to flow back into reservoir. This releases hydraulic pressure on the ram, which results in lowering the saddle.

Storing the Jack

1. Lower the Lifting Arm.

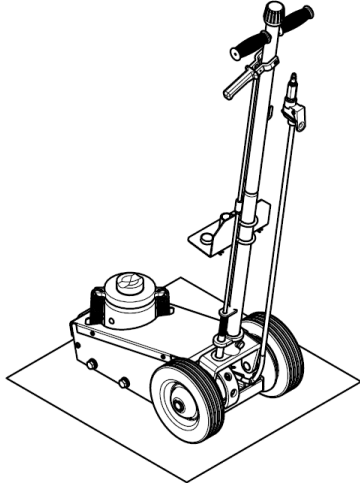
2. Place the handle in the upright position.

3. Store in a dry location, recommended indoors.

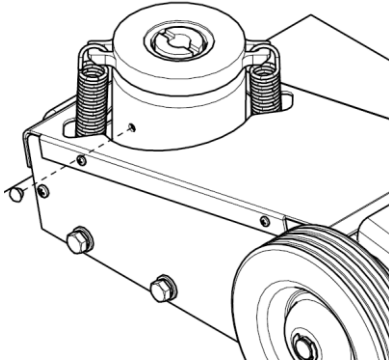
Note: If the jack is stored outdoors, be sure to lubricate all parts before and after use to ensure the jack stays in good working condition.

TO ADD OIL:

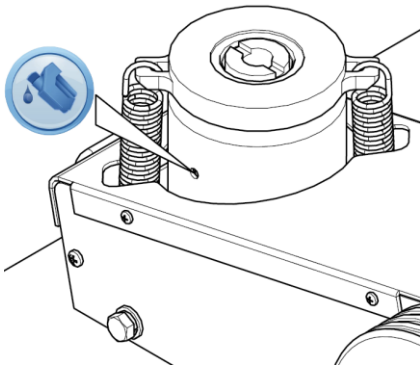
1. Position the jack on level ground and lower the saddle.



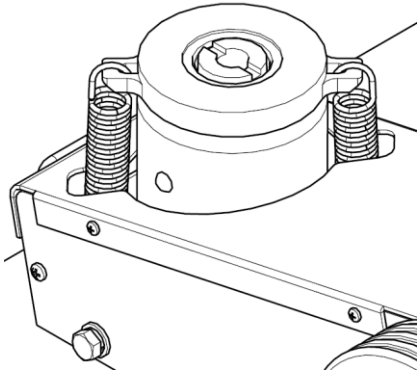
2. Remove the oil plug.



3. Fill the oil case until oil level is just beneath the lower rim of the oil fill hole.
KEEP DIRT AND OTHER MATERIAL CLEAR WHEN POURING.



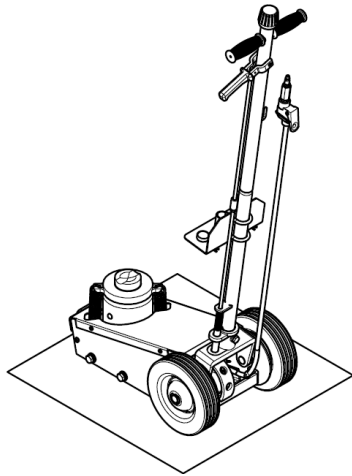
4. Replace oil plug.



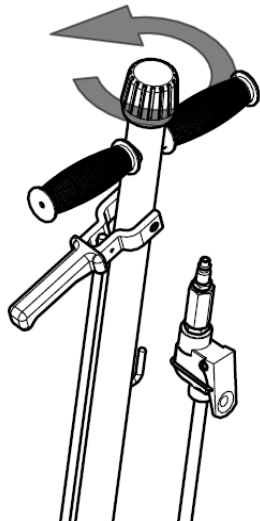
5. Perform the Air Purge Procedure.

TO REPLACE OIL:

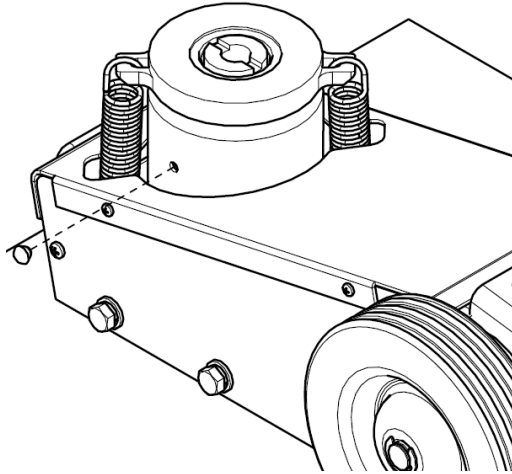
1. Position the jack on level ground and lower the saddle.



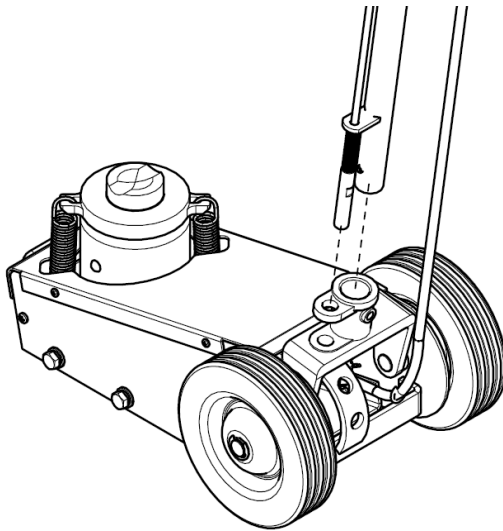
2. Open release valve by turning handle counterclockwise.



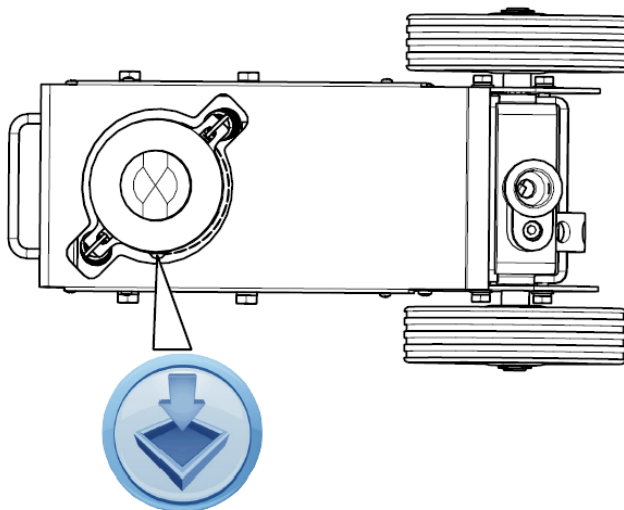
3. Remove the oil fill plug.



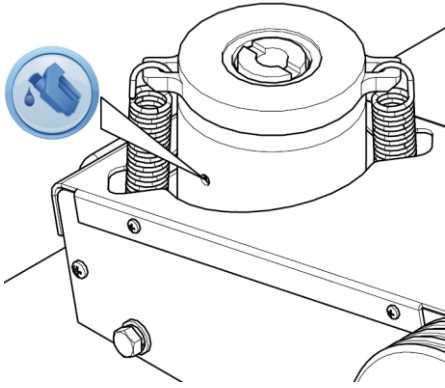
4. Remove the handle.



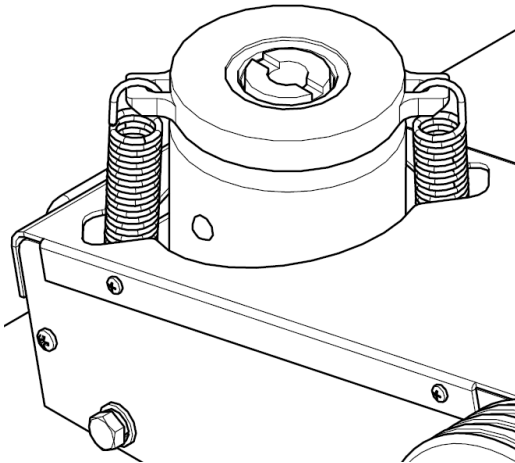
5. Turn the jack on its side so that old oil will drain from the oil fill hole.



6. Fill the oil case until oil level is just beneath the lower rim of the oil fill hole.



7. Replace oil plug.



8. Perform the Air Purge Procedure.

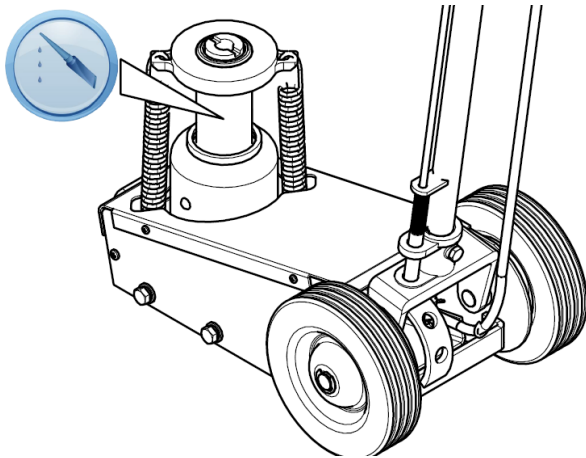
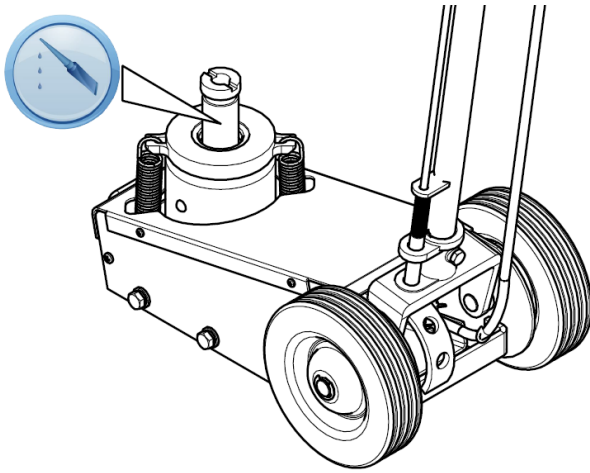


ADDITIONAL WARNINGS:

- DO NOT USE MOTOR OIL IN THE JACK.
- ONLY USE ANTI-FOAMING JACK OIL.
- ALWAYS USE A GOOD GRADE HYDRAULIC JACK OIL.
- DO NOT USE HYDRAULIC BRAKE FLUID, ALCOHOL, GLYCERINE, DETERGENT, MOTOR OIL OR DIRTY OIL.
- USE OF A NON-RECOMMENDED FLUID CAN CAUSE DAMAGE TO A JACK.
- AVOID MIXING DIFFERENT TYPES OF FLUID AND NEVER USE BRAKE FLUID, TURBINE OIL, TRANSMISSION FLUID, MOTOR OIL OR GLYCERIN. IMPROPER FLUID CAN CAUSE PREMATURE FAILURE OF THE JACK AND THE POTENTIAL FOR SUDDEN AND IMMEDIATE LOSS OF LOAD.
- DISPOSE OF HYDRAULIC FLUID IN ACCORDANCE WITH LOCAL REGULATIONS.

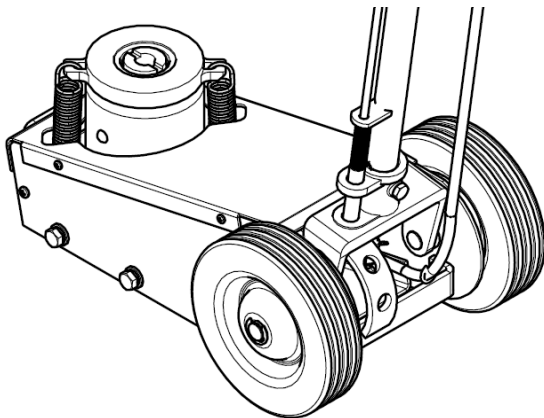
LUBRICATION

Periodically check the pump piston and ram for signs of rust or corrosion. Clean as needed and wipe with an oil cloth. NEVER USE SANDPAPER OR ABRASIVE MATERIAL ON THESE SURFACES!

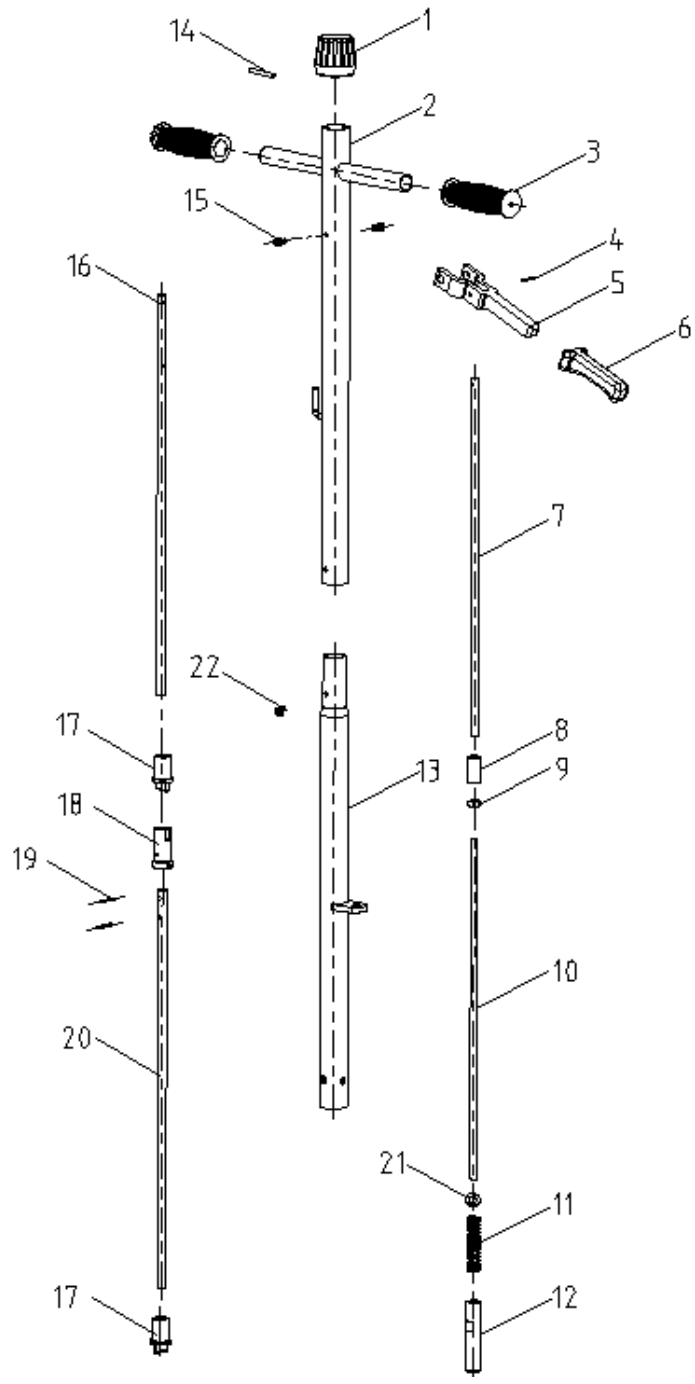


Storage

When not in use, store the jack with pump piston, hydraulic ram and saddle fully retracted.



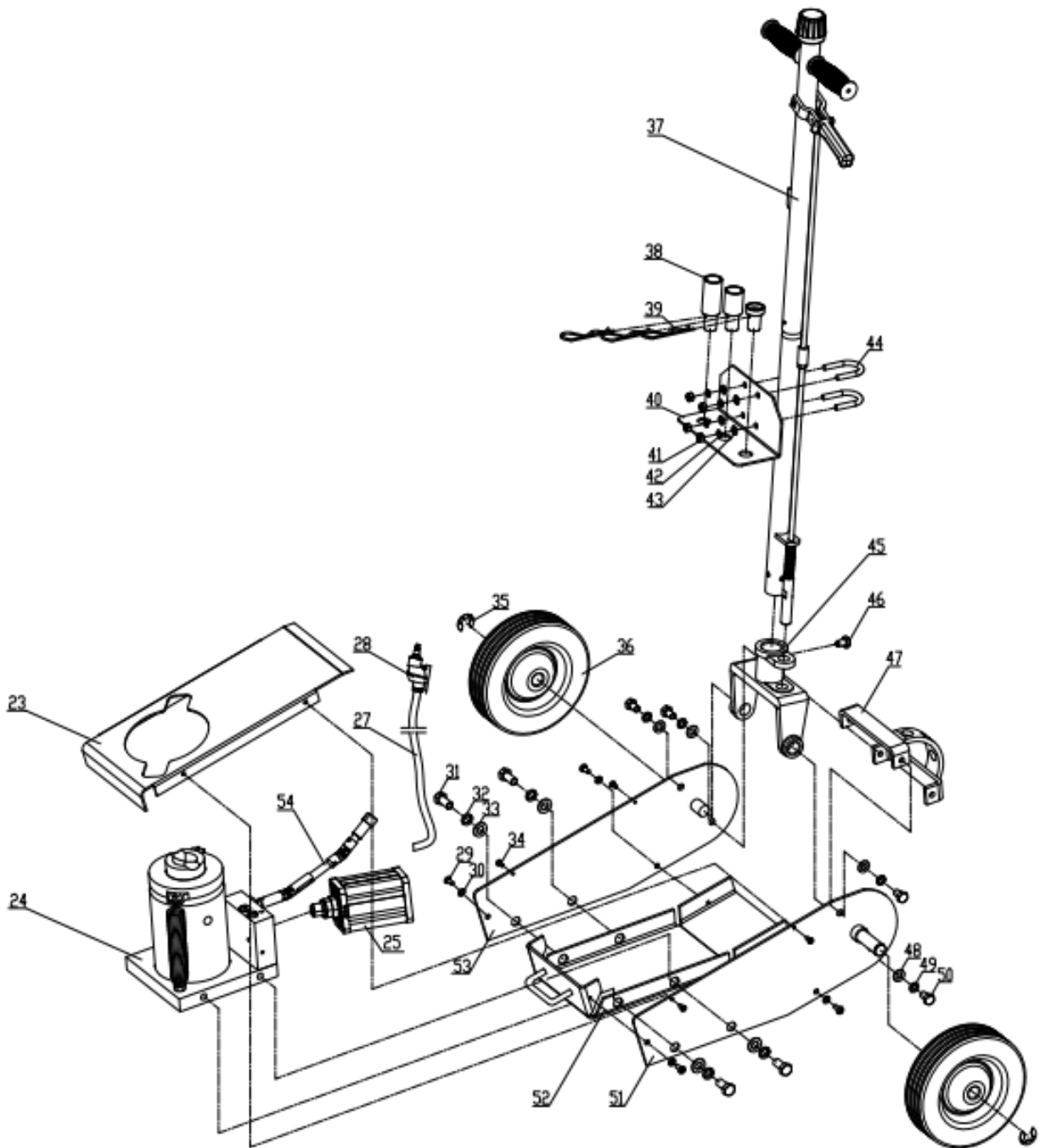
HANDLE ASSEMBLY DIAGRAM



HANDLE ASSEMBLY PARTS LIST

Index #	Part No.	Description	Qty.
1	TQ22001.3.2-01	Hand shank head	1
2	TQ22001.3.2-04	Down Hand shank	1
3	T32002c-2	Hand shank case	1
4	GB879	Pin	1
5	TQ22001.3-07	Handle	1
6	TQ22001.3-06	Handle case	1
7	TQ22001.3-05	Upper Draw bar	1
8	TQ22001.3-04	Upper connect head	1
9	GB6170	Nut M8	1
10	TQ22001.3-03	Down Draw bar	1
11	TQ22001.3-02	Spring	1
12	TQ22001.3-01	Down connect head	1
13	TQ22001.3.1-04	Upper Hand shank	1
14	GB879	Pin	1
15	GB70	Bolt M5	2
16	TQ22001.3.2-05	Down Handle draw bar	1
17	TQ22001.3.1-06	Connect	2
18	TQ22001.3.1-01	Connect	1
19	GB879	Pin	2
20	TQ22001.3.1-05	Upper Handle draw bar	1
21	GB97.1	Washer 8	1
22	GB818	Bolt M5X10	1

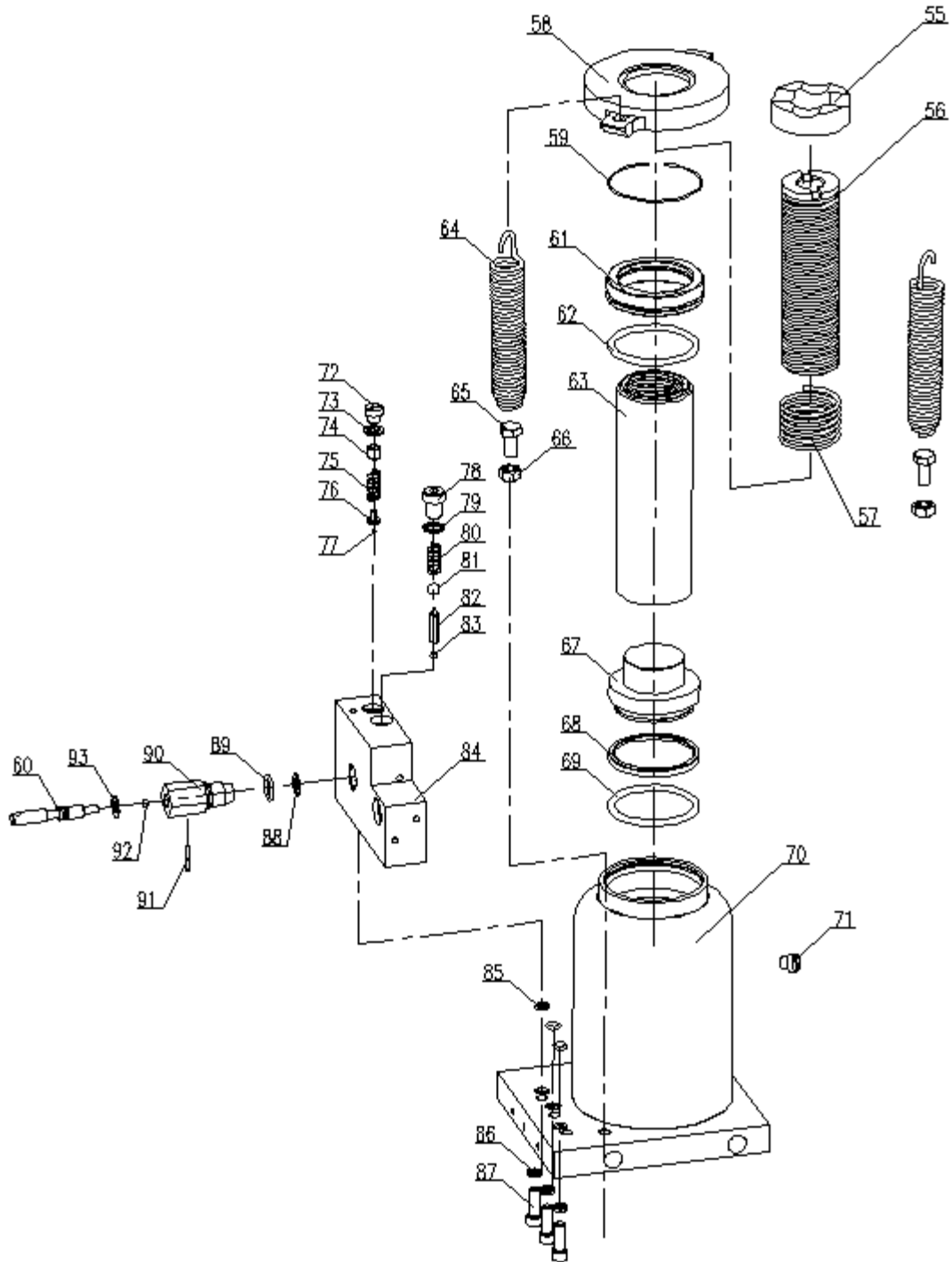
ASSEMBLY DIAGRAM



ASSEMBLY PARTS LIST

Index #	Part No.	Description	Qty.
23	Planking	TQ22001-06	1
24	Press cylinder	TQ35001.1	1
25	Air pump	TY20002.1.2	1
26	Revolving Tie-in	TQ22001.8	1
27	Air hose	TQ22001-07a	1
28	Switch	TQ22001.9a	1
29	bolt M6X12	GB818	4
30	Washer6	GB97.1	4
31	Bolt M12x25	GB5781	4
32	Spring Washer12	GB93	4
33	Washer12	GB97.1	4
34	Bolt M5X12	GB818	4
35	Block 15	GB896	2
36	Wheel Part	TQ22001.5	2
37	Hand Shank Part	TQ22001.3	1
38	Top nut regular board	TQ22001.1.1-01	1
39	Pin	TQ22001-03	3
40	Top nut regular board	TQ22001-02	1
41	Nut M8	GB6170	4
42	Spring Washer 8	GB93	4
43	Washer8	GB97.1	4
44	Regular sleeve	TQ22001-01	2
45	Socket	TQ22001-05	1
46	Bolt	TQ22001-04	1
47	Bracket	TQ22001.4a	1
48	Washer10	GB97.1	4
49	Washer10	GB93	4
50	Bolt M10x16	GB5781	4
51	Left Wallboard	TQ22001.6	1
52	Floor board assembly	TQ22001.7a	1
53	Right Wallboard	TQ22001.10	1
54	Release Valve Rod Assembly	TQ22001.1.2	1

POWER UNIT ASSEMBLY



POWER UNIT PARTS LIST

Index #	Part No.	Description	Qty.
55	TQ22001.1-01	Top Head	1
56	TQ35001.1-01	Screw	1
57	TH930001-07	Bushing	1
58	TQ22001.1-05	Spring Hunger	1
59	TH930001-03	Snap ring	1
60	TQ22001.1.2-01	Release Valve Rod	1
61	TQ35001.1-04	Plunger ring	1
62	TH930001-05	O-Ring	1
63	TQ35001.1-02	Piston rod	1
64	TQ35001.1-03	Spring	2
65	GB5781	Bolt M10X20	2
66	GB41	Nut M10	2
67	TQ35001.1-05	Piston	1
68	TQ35001.1-06	Seal ring	1
69	TQ35001.1-07	Y-Ring	1
70	TQ35001.1.1	Part of Base	1
71	QYL8-29	Oil Plug	1
72	QLZ3.4-13	Valve plug screw	1
73	QLQ2.1-14	O-Ring	1
74	QF4-20	Bolt	1
75	TQ22001.1-31	Spring	1
76	TQ22001.1-24	Spring seat	1
77	GB308	Ball 3	1
78	GB70	Bolt M12X16	1
79	TQ22001.1-18	O-Ring	1
80	TQ22001.1-19	Spring	1
81	GB308	Ball 9	1
82	TQ22001.1-17a	Pin	1
83	GB308	Ball 6	2
84	TQ22001.1-11	Valve block	1
85	TQ22001.1-16	O-ring	3
86	GB93	Spring washer	3
87	GB70	Bolt M8X25	3
88	TQ22001.1-30	Washer	1
89	GB3452.1	O-ring	1
90	TQ22001.1-10	Release Valve	1
91	GB79	Pin	1
92	GB308	Ball 6	1
93	QLQ2.1-17	O ring	1

TROUBLESHOOTING

JACK WILL NOT LIFT LOAD	JACK WILL NOT HOLD LOAD	JACK WILL NOT LOWER	POOR JACK LIFTING	WILL NOT LIFT TO FULL EXTENSION	CAUSES AND SOLUTIONS
X	X		X		Release valve is not completely closed (Turn handle clockwise).
X					Air Supply Inadequate
X					Weight Capacity Exceeded.
X			X		Air is in the hydraulics. Purge air from system.
X	X		X	X	Low oil level. Add oil as required.
		X			Oil reservoir is overfilled: Drain excessive oil. Lubricate moving parts.
		X			Jack is binding or foreign obstruction
X	X		X		Power unit malfunctioning. Replace the power unit.

Safe Operating Temperature is between 40°F – 105°F (4°C - 41°C)

REPLACEMENT PARTS

For replacement parts Customer Service at **1-800-222-5381**. Not all equipment components are available for replacement; illustrations provided are a convenient reference of location and position in the assembly sequence. When ordering parts the following will be required: Model Number, Serial Number and Description. **The distributor reserves the rights to make design changes and or improvements to product lines and manuals without notice.**

For replacement parts and technical questions, please call 1-800-222-5381.

Limited Warranty

Limited Warranty

Northern Tool and Equipment Company, Inc. ("We" or "Us") warrants to the original purchaser only ("You" or "Your") that the Strongway product purchased will be free from material defects in both materials and workmanship, normal wear and tear excepted, for a period of one year from date of purchase. The foregoing warranty is valid only if the installation and use of the product is strictly in accordance with product instructions. There are no other warranties, express or implied, including the warranty of merchantability or fitness for a particular purpose. If the product does not comply with this limited warranty, Your sole and exclusive remedy is that We will, at our sole option and within a commercially reasonable time, either replace the product without charge to You or refund the purchase price (less shipping). This limited warranty is not transferable.

Limitations on the Warranty

This limited warranty does not cover: (a) normal wear and tear; (b) damage through abuse, neglect, misuse, or as a result of any accident or in any other manner; (c) damage from misapplication, overloading, or improper installation; (d) improper maintenance and repair; and (e) product alteration in any manner by anyone other than Us, with the sole exception of alterations made pursuant to product instructions and in a workmanlike manner.

Obligations of Purchaser

You must retain Your product purchase receipt to verify date of purchase and that You are the original purchaser. To make a warranty claim, contact Us at 1-800-222-5381, identify the product by make and model number, and follow the claim instructions that will be provided. The product and the purchase receipt must be provided to Us in order to process Your warranty claim. Any returned product that is replaced or refunded by Us becomes our property. You will be responsible for return shipping costs or costs related to Your return visit to a retail store.

Remedy Limits

Product replacement or a refund of the purchase price is Your sole remedy under this limited warranty or any other warranty related to the product. We shall not be liable for: service or labor charges or damage to Your trailer incurred in removing or replacing the product; any damages, including, without limitation, damages to tangible personal property or personal injury, related to Your improper use, installation, or maintenance of the product; or any indirect, incidental or consequential damages of any kind for any reason.

Assumption of Risk

You acknowledge and agree that any use of the product for any purpose other than the specified use(s) stated in the product instructions is at Your own risk.

Governing Law

This limited warranty gives You specific legal rights, and You also may have other rights, which vary from state to state. Some states do not allow limitations or exclusions on implied warranties or incidental or consequential damages, so the above limitations may not apply to You. This limited warranty is governed by the laws of the State of Minnesota, without regard to rules pertaining to conflicts of law. The state courts located in Dakota County, Minnesota shall have exclusive jurisdiction for any disputes relating to this warranty.



Distributed by
Northern Tool + Equipment Co., Inc.
Burnsville, Minnesota 55306
NorthernTool.com
Made in China