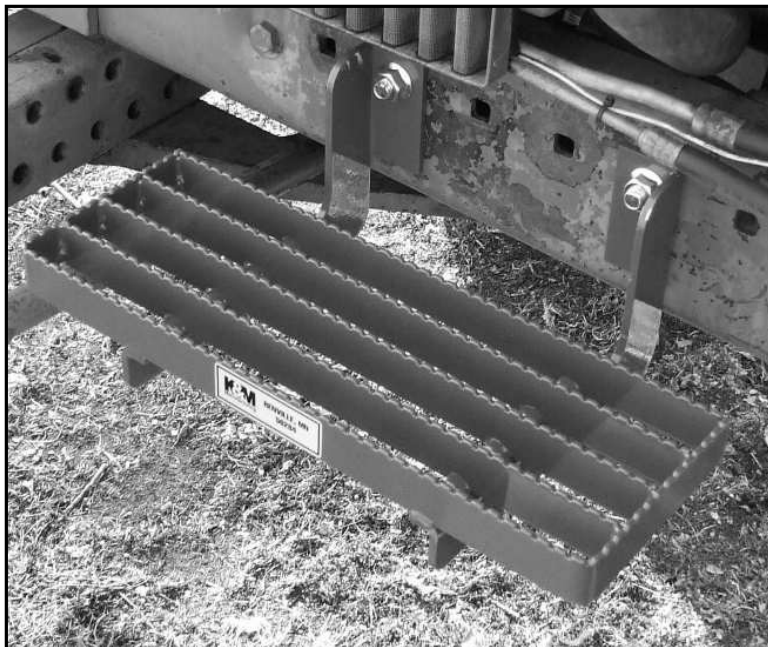
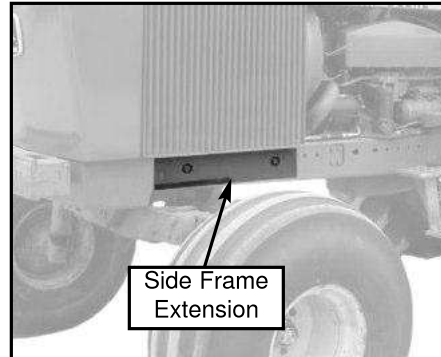


Instruction Guide

Step-N-Chek™ Service Step - (PN: 3427)

**Fits John Deere 30-60 Series 2WD Tractors
(Will not fit tractor models with Side Frame Extensions.)**

NOTE: The Step-N-Chek™ Service Step will not fit tractor models with Side Frame Extensions. (See image at right.)



1. Choose the mounting location of the step and insert two 5/8" x 1 1/2" carriage bolts in the corresponding holes on the side frame.
2. Put the step in place and fasten with two 5/8" flange nuts.
3. Ensure the step is securely fastened prior to use.