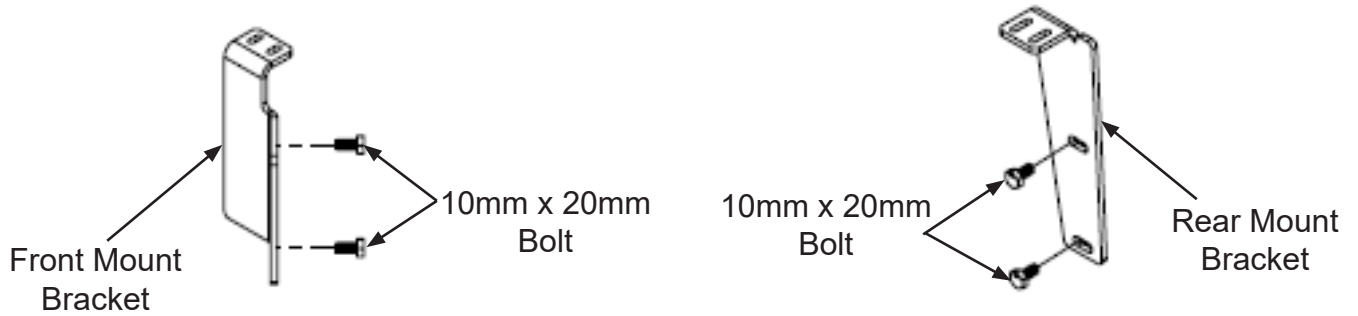


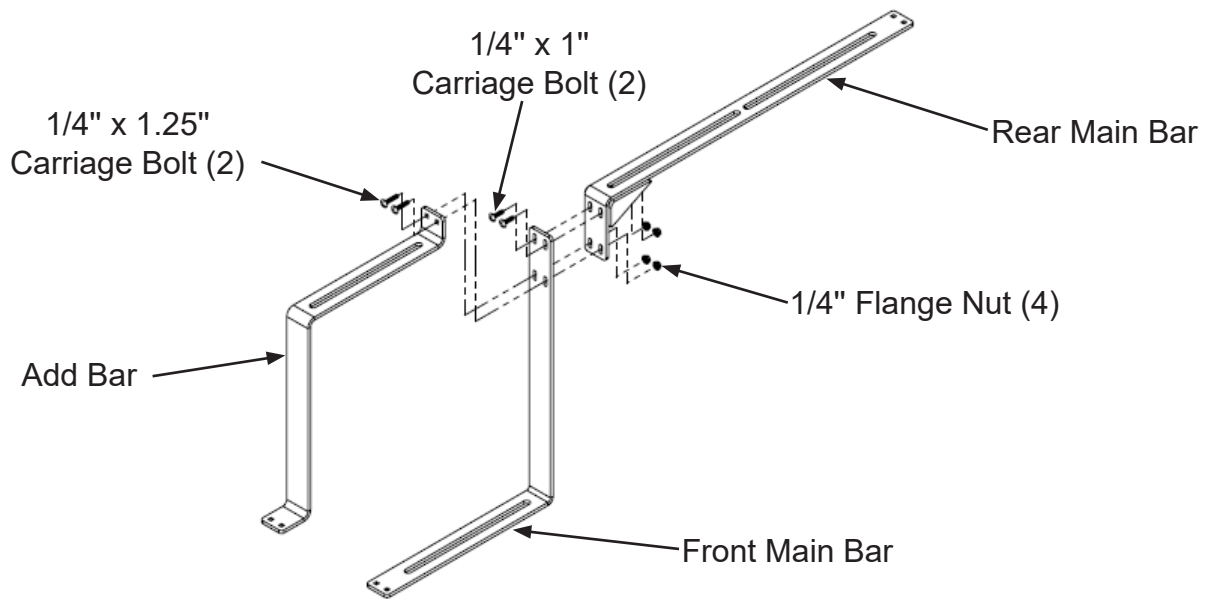
Installation Guide

JD 7R-8R/RT/RX-9R/RT/RX Monitor Bracket (PN: 2667)

1. Remove the two plastic caps from the rear right post and the two plastic caps from the front right post to expose the mounting holes.
2. Mount the Rear Mount Bracket in the cab to the rear right post using two 10mm x 20mm Bolt. Hand tighten only.
3. Mount the Front Mount Bracket in the cab to the front right post using two 10mm x 20mm Bolt. Hand tighten only.



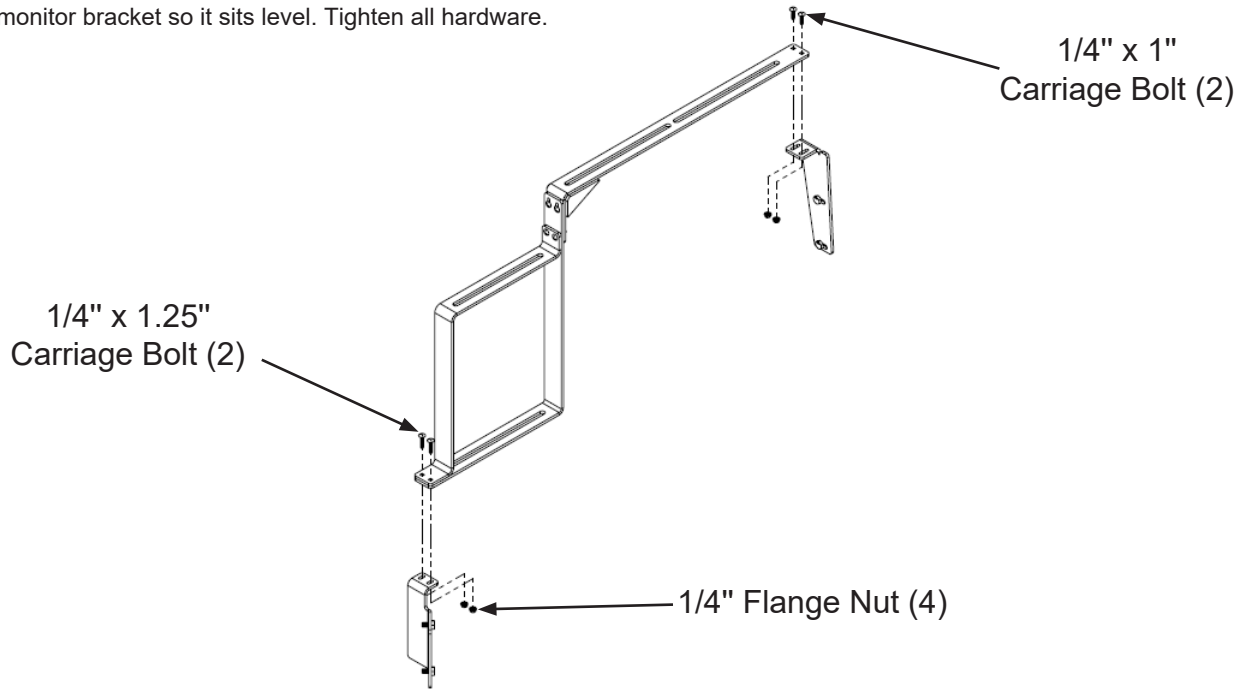
4. Fasten the Front Main Bar, Add Bar, and Rear Main Bar together using two 1/4" x 1" carriage bolts, two 1/4" x 1.25" carriage bolts, and four nuts. Hand tighten only.



Installation Guide

JD 7R-8R/RT/RX-9R/RT/RX Monitor Bracket (PN: 2667)

- Place the monitor bracket into the cab and secure in place using two 1/4" x 1" carriage bolts and flange nuts in the rear and two 1/4" x 1.25" carriage bolts and flange nuts in the front.
- Adjust the monitor bracket so it sits level. Tighten all hardware.



- Place the tray in the desired location and fasten using two 1/2" x 1" carriage bolts and two flange nuts.

