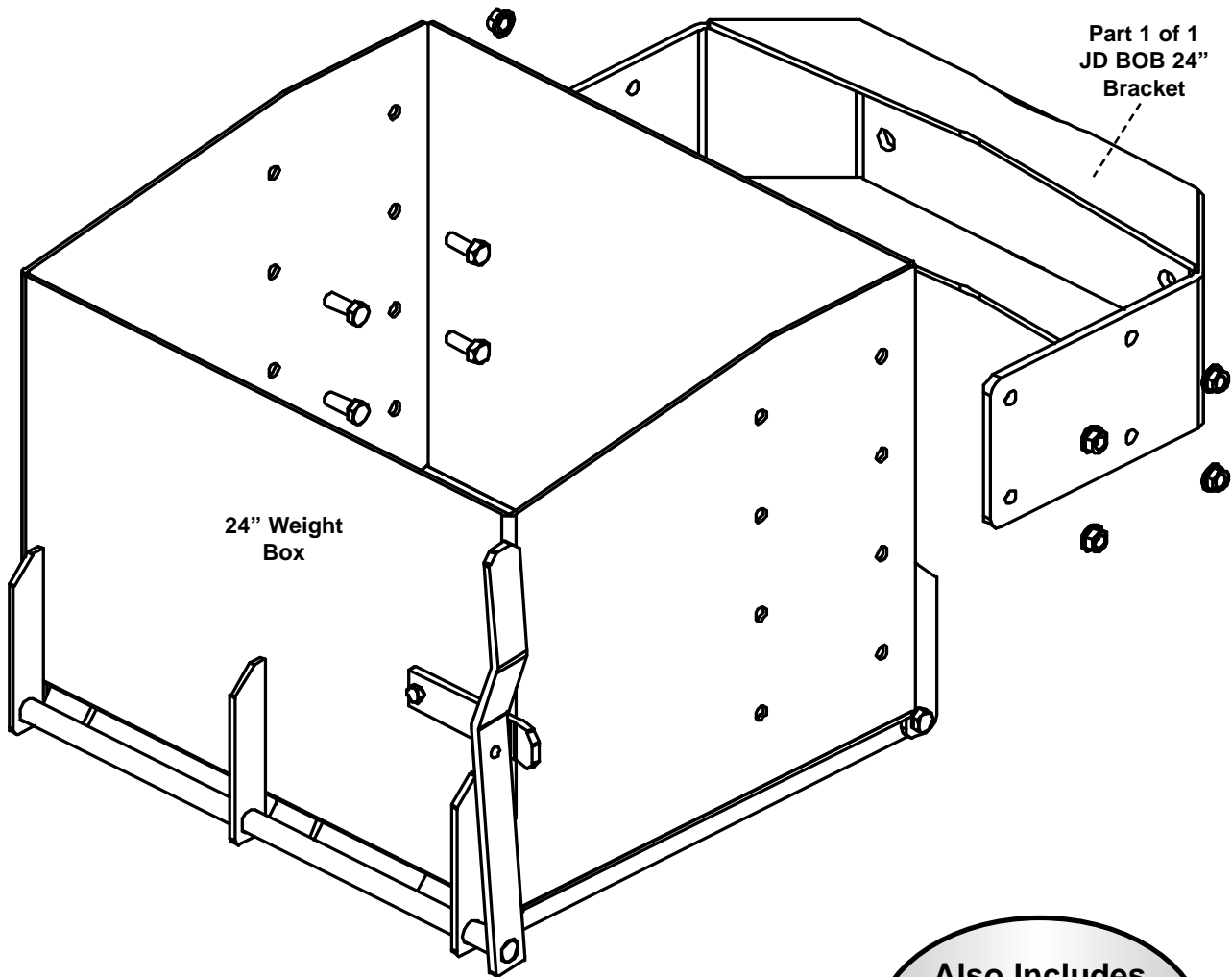


# John Deere BOB 24"

30, 40, 50, 55, 60, 7000, 7030 & 8000 Series

Bracket Part Number: 2338

(24" Weight Box Part Number: 1825)



Also Includes  
Weight Box  
Mounting Bolt Bag  
(PN: 40001)



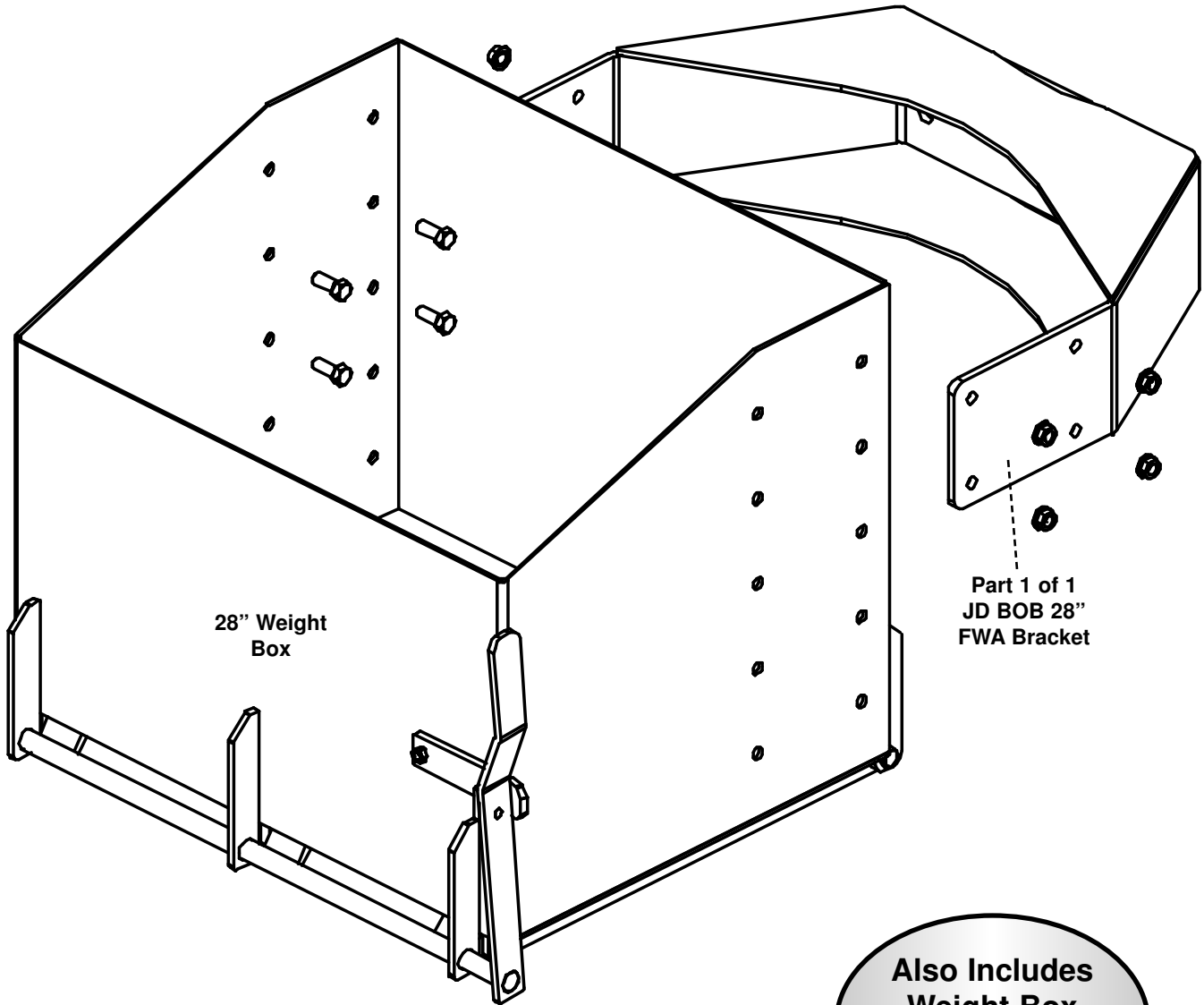
Phone - 800.328.1752  
Fax - 320.329.3709  
Email - sales@tractorseats.com  
Web Site - www.tractorseats.com  
P.O. Box 409 - 308 NW 2nd Street  
Renville, MN 56284

# John Deere BOB 28" FWA

30, 40, 50, 55, 60 & 7000 Series

Bracket Part Number: 2353

(28" Weight Box Part Number: 1826)



Also Includes  
Weight Box  
Mounting Bolt Bag  
(PN: 40001)



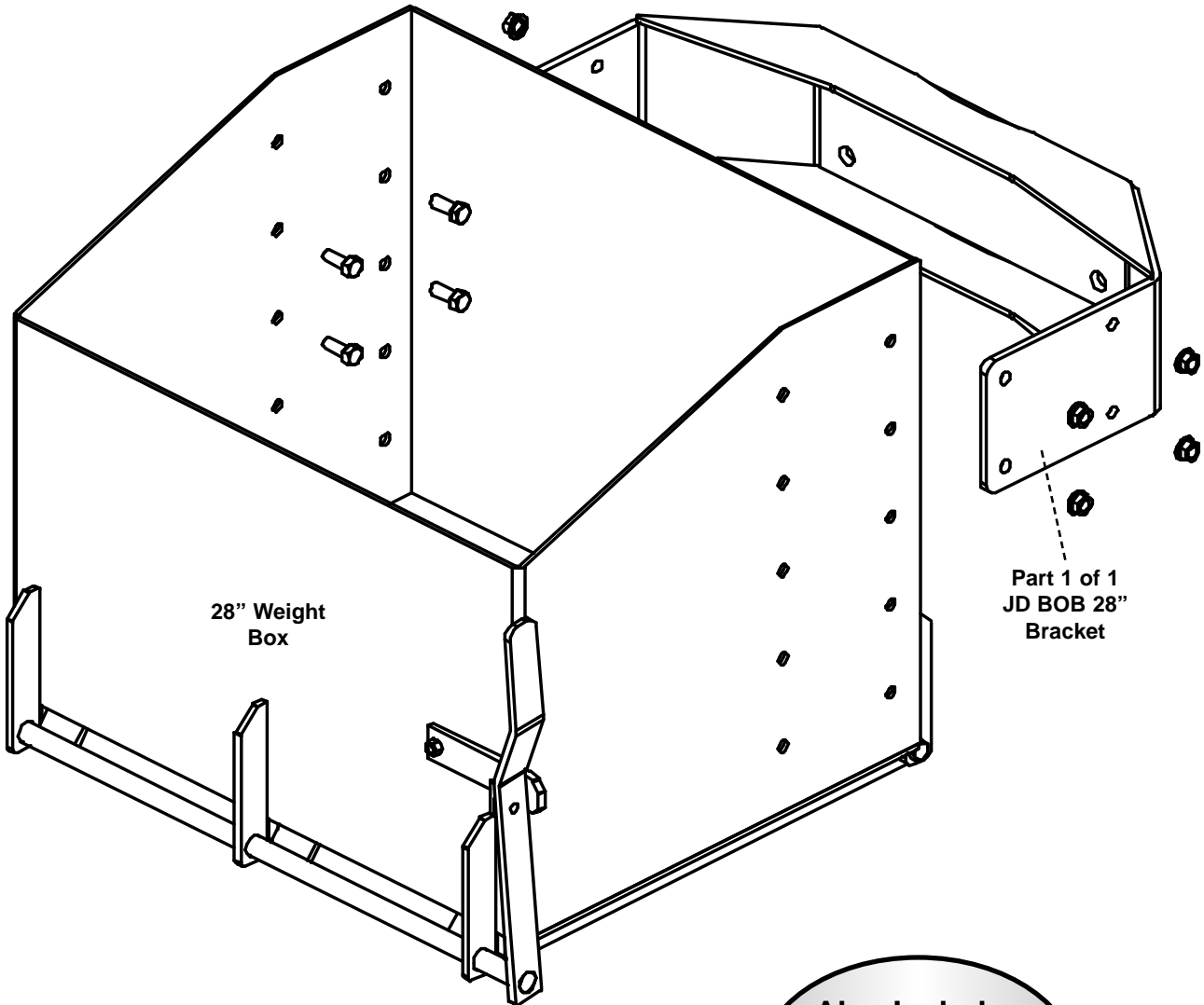
Phone - 800.328.1752  
Fax - 320.329.3709  
Email - sales@tractorseats.com  
Web Site - www.tractorseats.com  
P.O. Box 409 - 308 NW 2nd Street  
Renville, MN 56284

# John Deere BOB 28"

30, 40, 50, 55, 60, 7000, 7030 & 8000 Series

Bracket Part Number: 2339

(28" Weight Box Part Number: 1826)



Also Includes  
Weight Box  
Mounting Bolt Bag  
(PN: 40001)



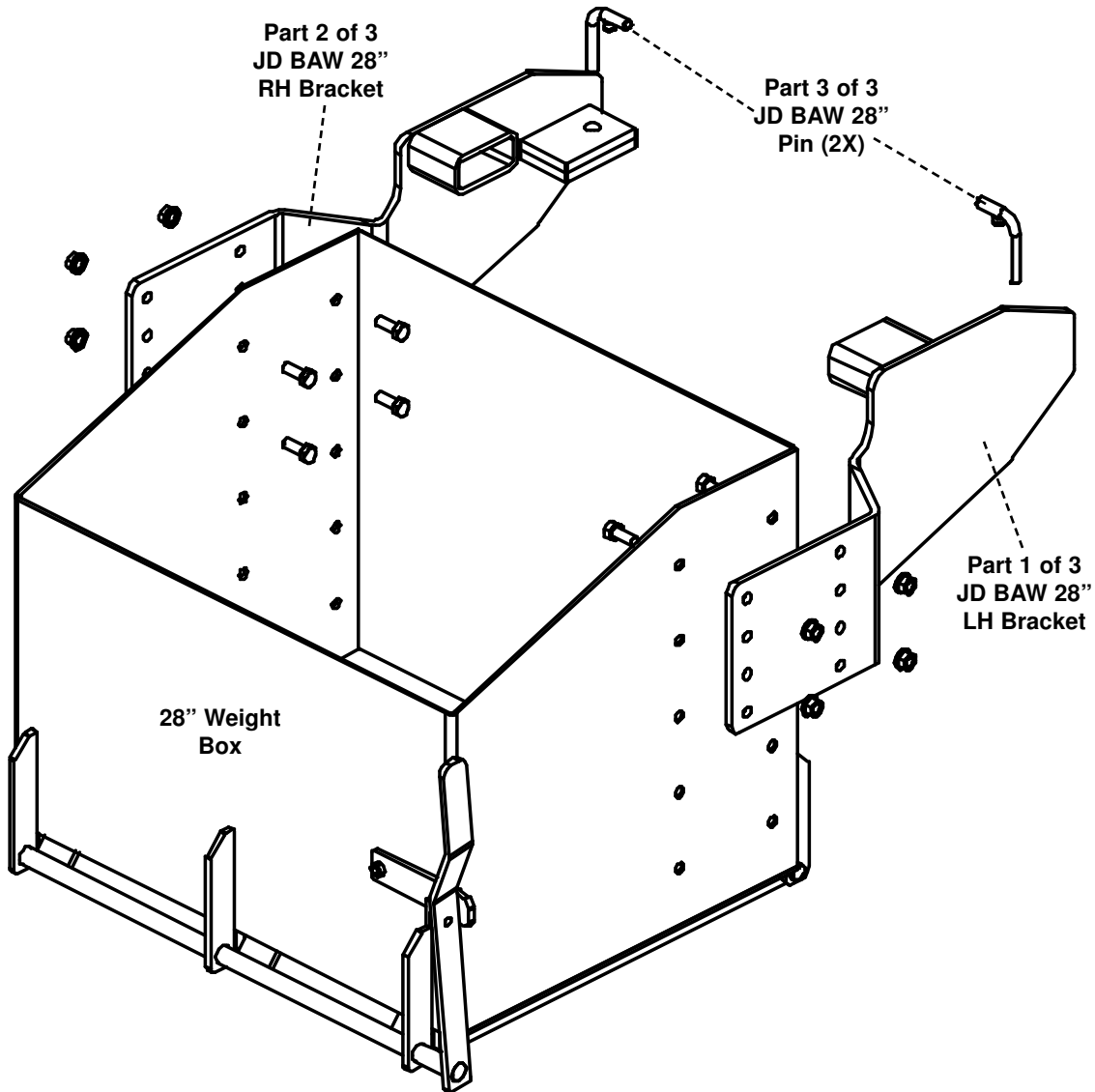
Phone - 800.328.1752  
Fax - 320.329.3709  
Email - sales@tractorseats.com  
Web Site - www.tractorseats.com  
P.O. Box 409 - 308 NW 2nd Street  
Renville, MN 56284

# John Deere BAW 28" - 14 Weights

30, 40, 50, 55, 60, 5000, 6000, 7000, 7200, 7400 & 8000 Series

Bracket Part Number: 2447

(28" Weight Box Part Number: 1826)



Also Includes  
Weight Box  
Mounting Bolt Bag  
(PN: 40001)



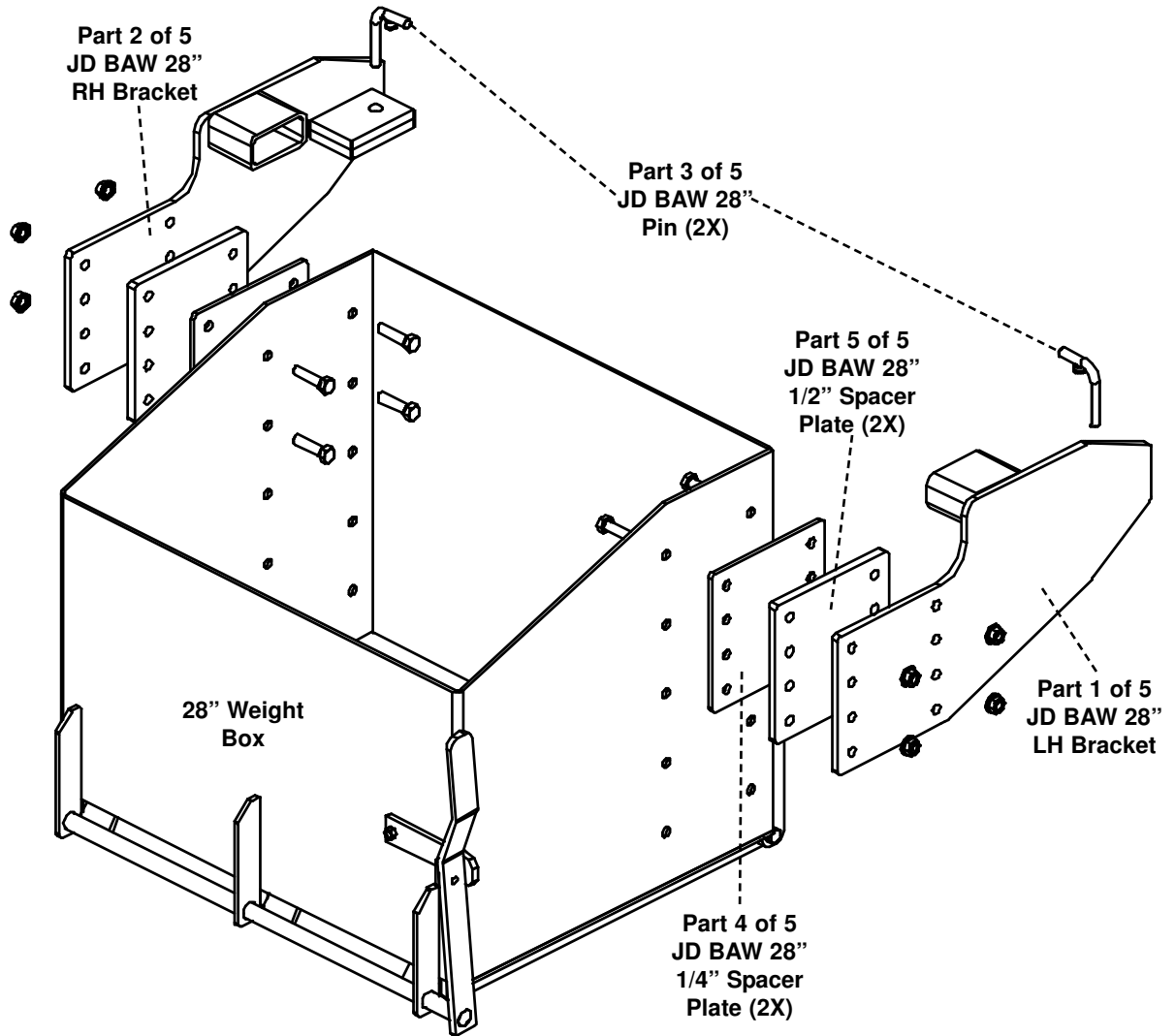
Phone - 800.328.1752  
Fax - 320.329.3709  
Email - sales@tractorseats.com  
Web Site - www.tractorseats.com  
P.O. Box 409 - 308 NW 2nd Street  
Renville, MN 56284

# John Deere BAW 28" - 20 Weights

30, 40, 50, 55, 60, 5000, 6000, 7000, 7200, 7400 & 8000 Series

Bracket Part Number: 2448

(28" Weight Box Part Number: 1826)



Also Includes  
Weight Box  
Mounting Bolt Bag  
(PN: 40002)



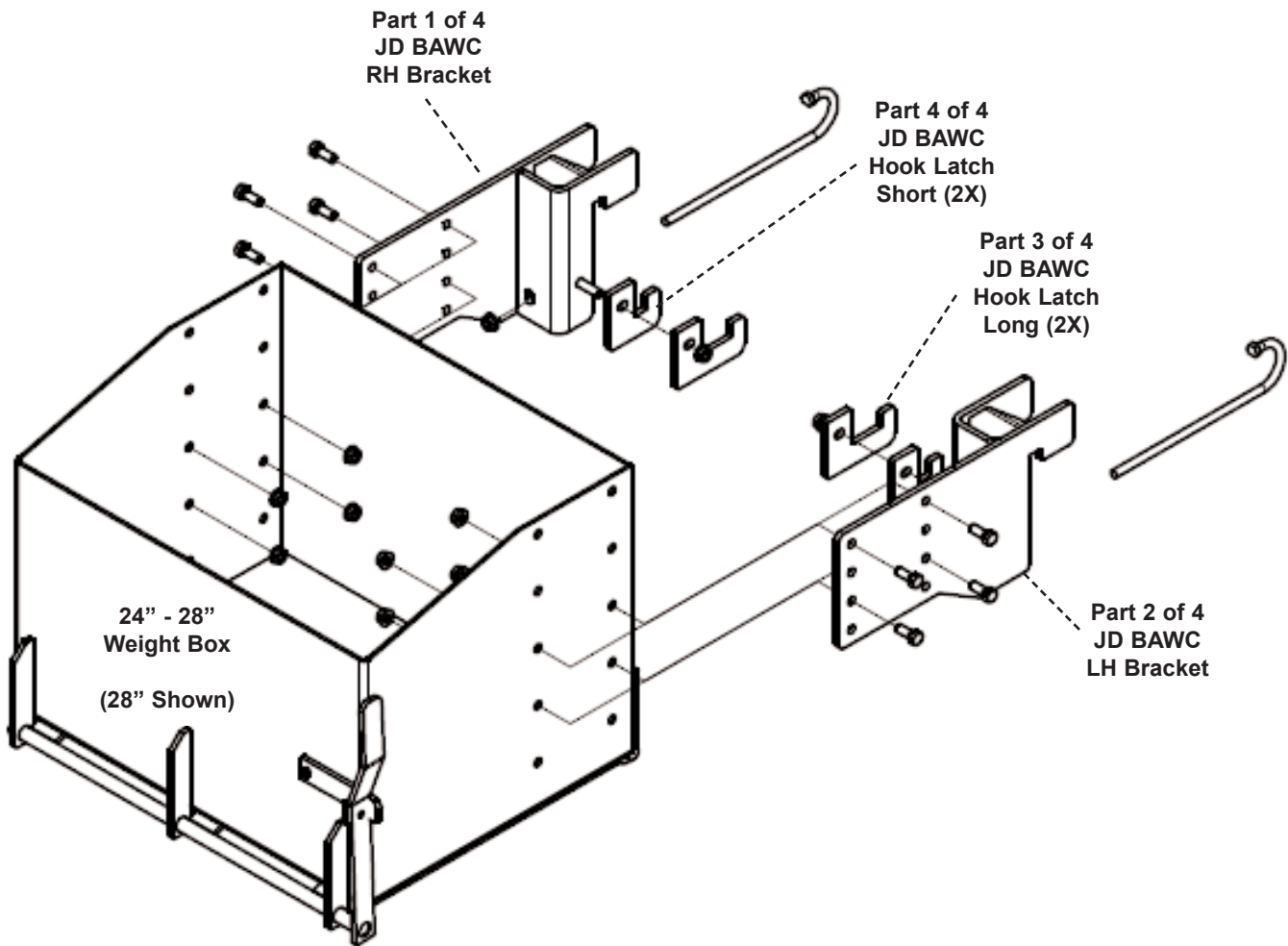
Phone - 800.328.1752  
Fax - 320.329.3709  
Email - sales@tractorseats.com  
Web Site - www.tractorseats.com  
P.O. Box 409 - 308 NW 2nd Street  
Renville, MN 56284

# John Deere BAWC 24" - 28"

30, 40, 50, 60, 5000, 6000, 7000, 7200, 7400 & 8000 Series

Part Number: 2449

(24" Weight Box Part Number: 1825 -- 28" Weight Box Part Number: 1826)



Also Includes  
Weight Box  
Mounting Bolt Bag  
(PN: 40001)

When installing the weight brackets, you will only use either the long hook latch, the short hook latch, or the J-bolt to secure the weight brackets. If your weight cage has a lip on the bottom, use the long or short hook latch such the hook is snug to the lip. If your weight cage is hollow on the back, use the J-Bolt.

**K&M**  
Manufacturing

Phone - 800.328.1752  
Fax - 320.329.3709  
Email - sales@tractorseats.com  
Web Site - www.tractorseats.com  
P.O. Box 409 - 308 NW 2nd Street  
Renville, MN 56284