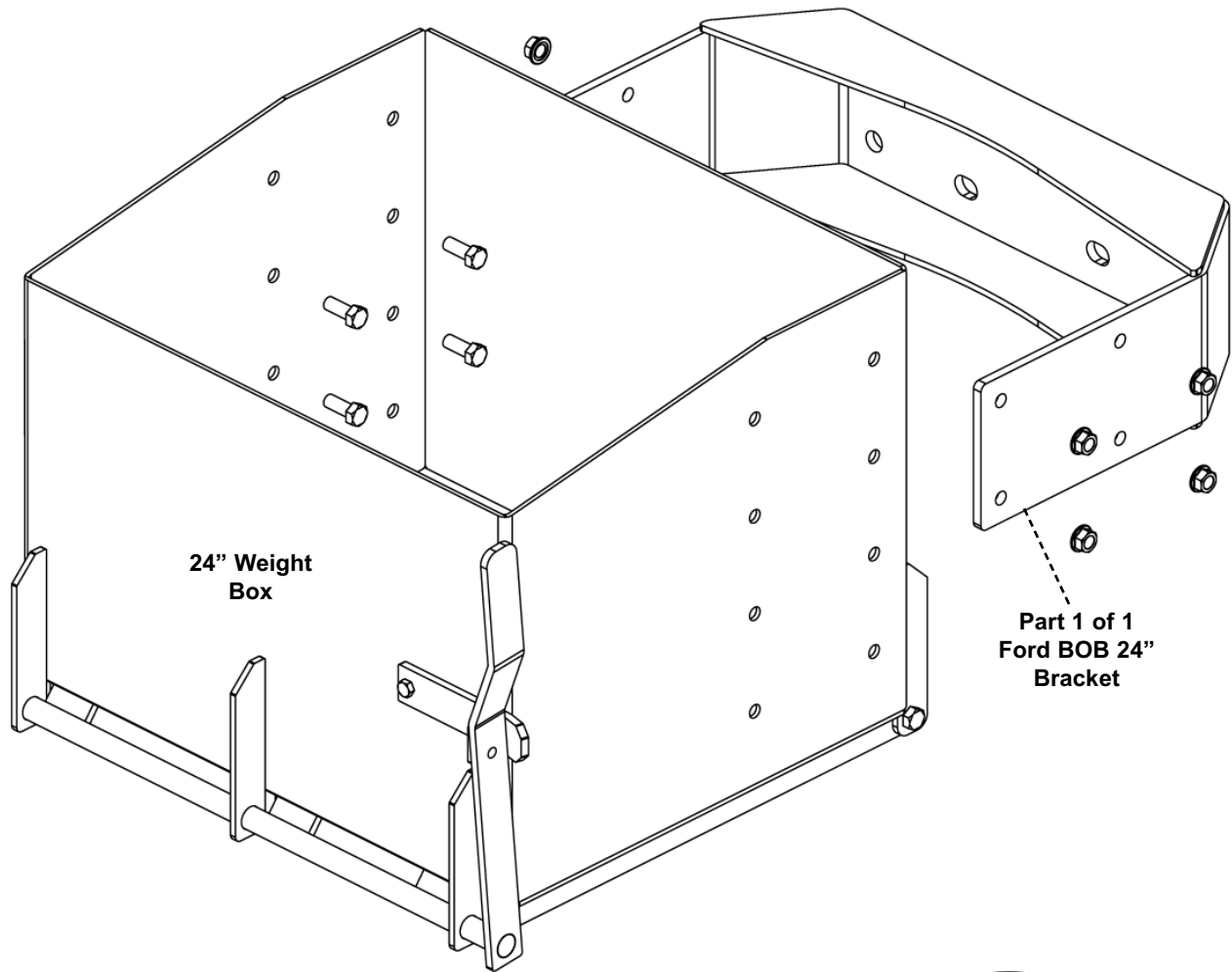


# CIH - New Holland BOB 24"

10S, 30, 35, 40, 60, JX, MXU, TN, TL, TS, 2WD TM Series

Bracket Part Number: 2303

(24" Weight Box Part Number: 1830)



Also Includes  
Weight Box  
Mounting Bolt Bag  
(PN: 40001)



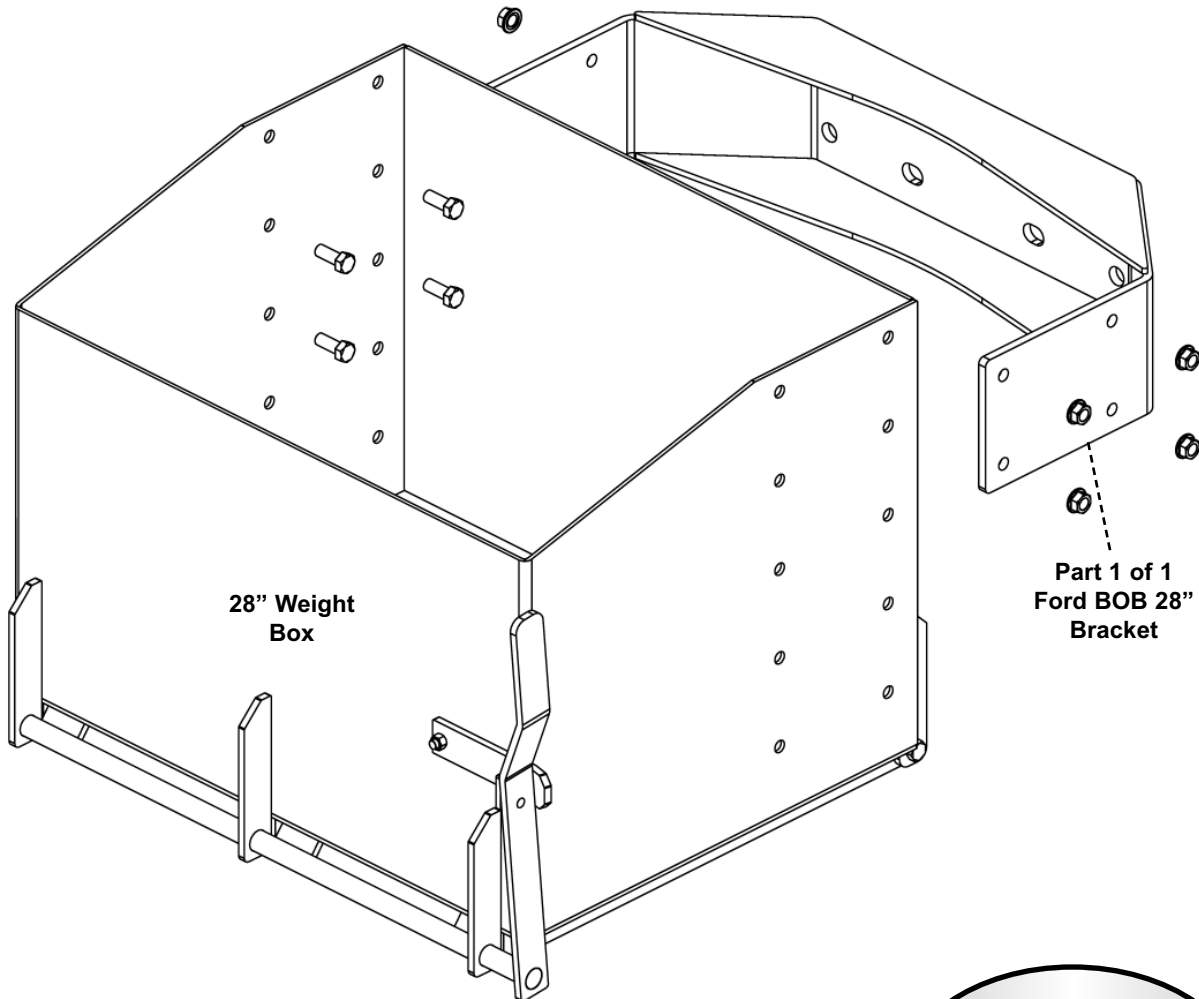
Phone - 800.328.1752  
Fax - 320.329.3709  
Email - sales@tractorseats.com  
Web Site - www.tractorseats.com  
P.O. Box 409 - 308 NW 2nd Street  
Renville, MN 56284

# CIH - New Holland BOB 28"

10S, 30, 35, 40, 60, JX, MXU, TN, TL, TS, 2WD TM Series

Bracket Part Number: 2304

(28" Weight Box Part Number: 1831)



Also Includes  
Weight Box  
Mounting Bolt Bag  
(PN: 40001)



Phone - 800.328.1752

Fax - 320.329.3709

Email - sales@tractorseats.com

Web Site - www.tractorseats.com

P.O. Box 409 - 308 NW 2nd Street

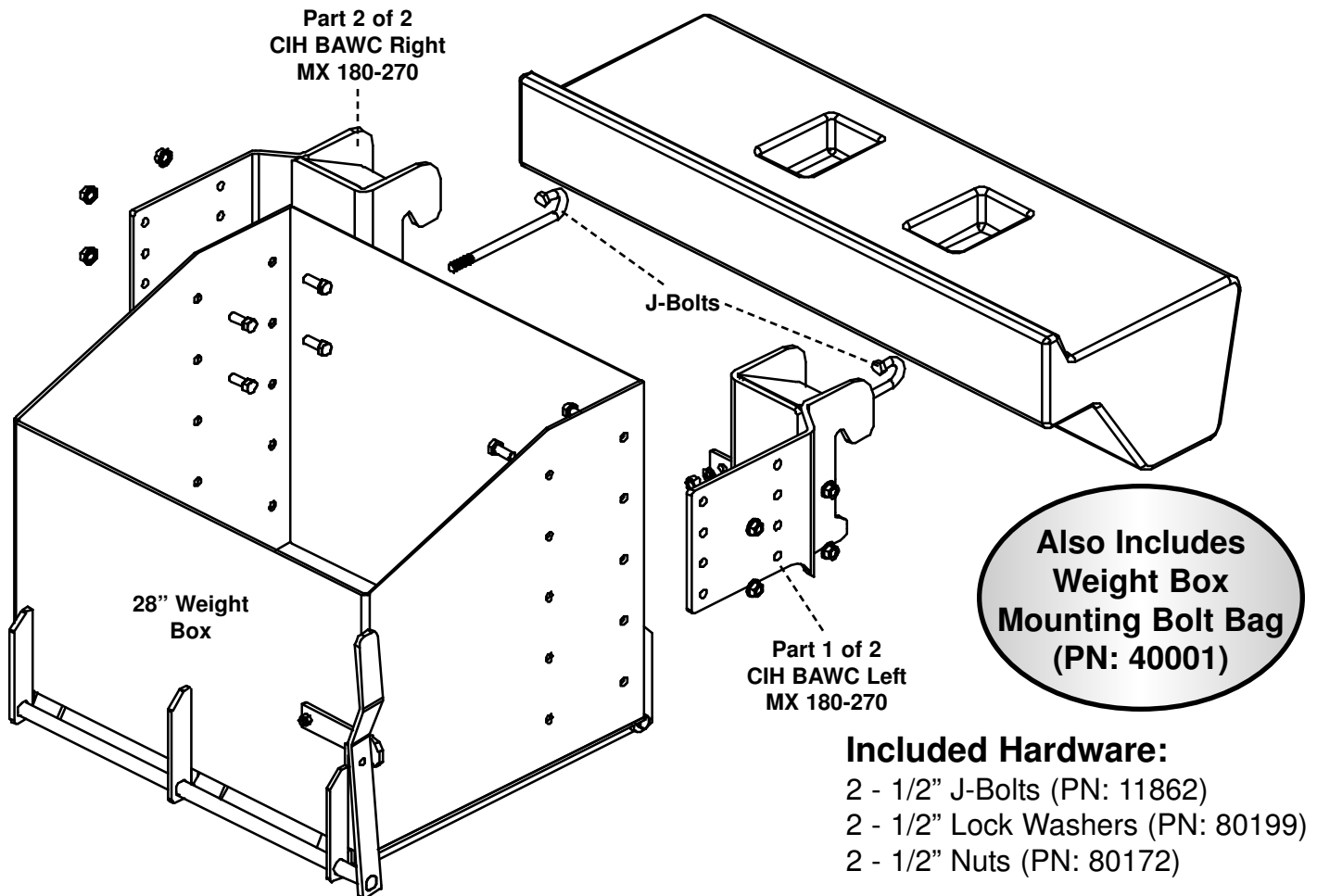
Renville, MN 56284

# CIH BAWC 28"

## CIH MX, MXM & MXU Series

Bracket Part Number: 2456

(28" Weight Box Part Number: 1831)



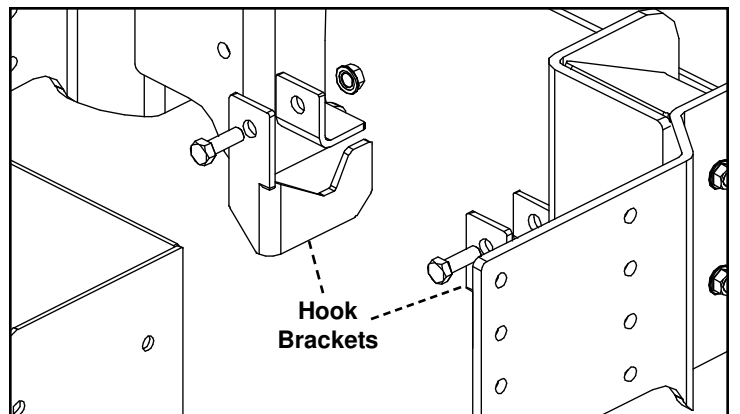
### MXM Series - Requires Hardware Kit (PN: 11999)

**Note!**

Hook Brackets  
(PN: 11999) replace  
J-Bolts (PN: 11862) when  
applied to MXM Series.

#### MXM Hardware Kit Includes:

- 2 - Hook Brackets (PN: 11999)
- 2 - 1/2" x 1 1/2" Bolts (PN: 80069)
- 2 - 1/2" Flange Nuts (PN: 80151)



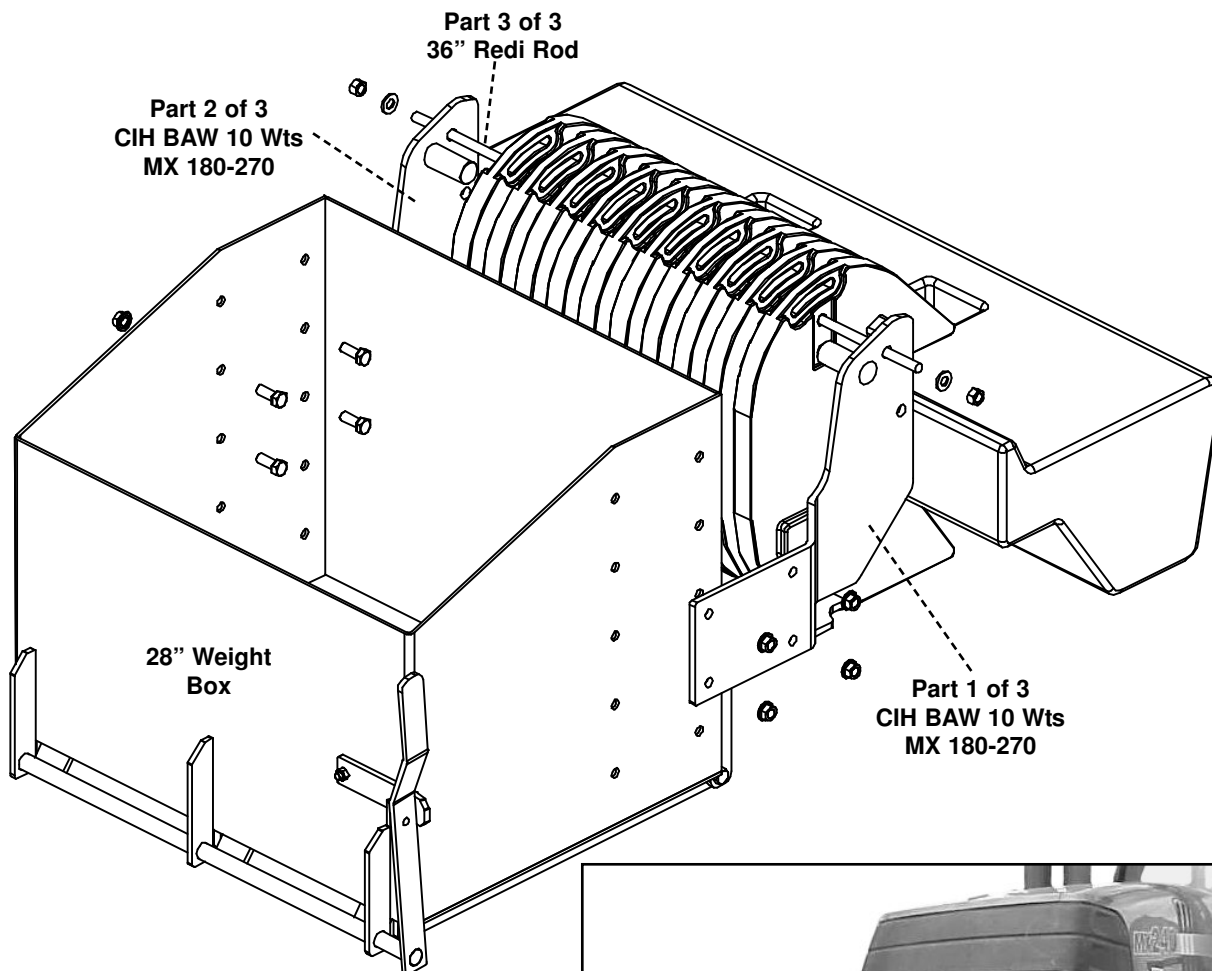
**K&M**  
Manufacturing

Phone - 800.328.1752  
Fax - 320.329.3709  
Email - sales@tractorseats.com  
Web Site - www.tractorseats.com  
P.O. Box 409 - 308 NW 2nd Street  
Renville, MN 56284

# CIH BAW - MX Series Magnum

Bracket Part Number: 2290

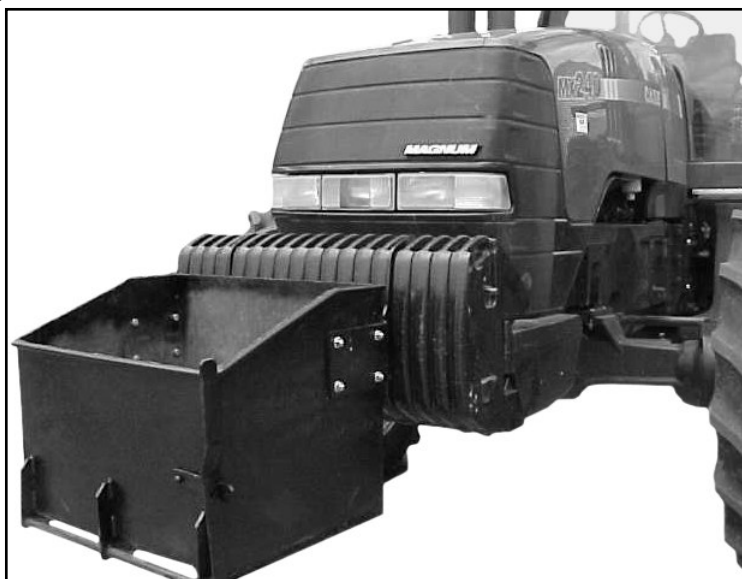
(28" Weight Box Part Number: 1831)



Also Includes  
Weight Box  
Mounting Bolt Bag  
(PN: 40001)

## Included Hardware

- 1 - 1/2" x 36" Redi Rod (PN: 80122)
- 2 - 1/2" Flat Washers (PN: 80217)
- 2 - 1/2" Nuts (PN: 80172)



**K&M**  
Manufacturing

Phone - 800.328.1752  
Fax - 320.329.3709  
Email - sales@tractorseats.com  
Web Site - www.tractorseats.com  
P.O. Box 409 - 308 NW 2nd Street  
Renville, MN 56284