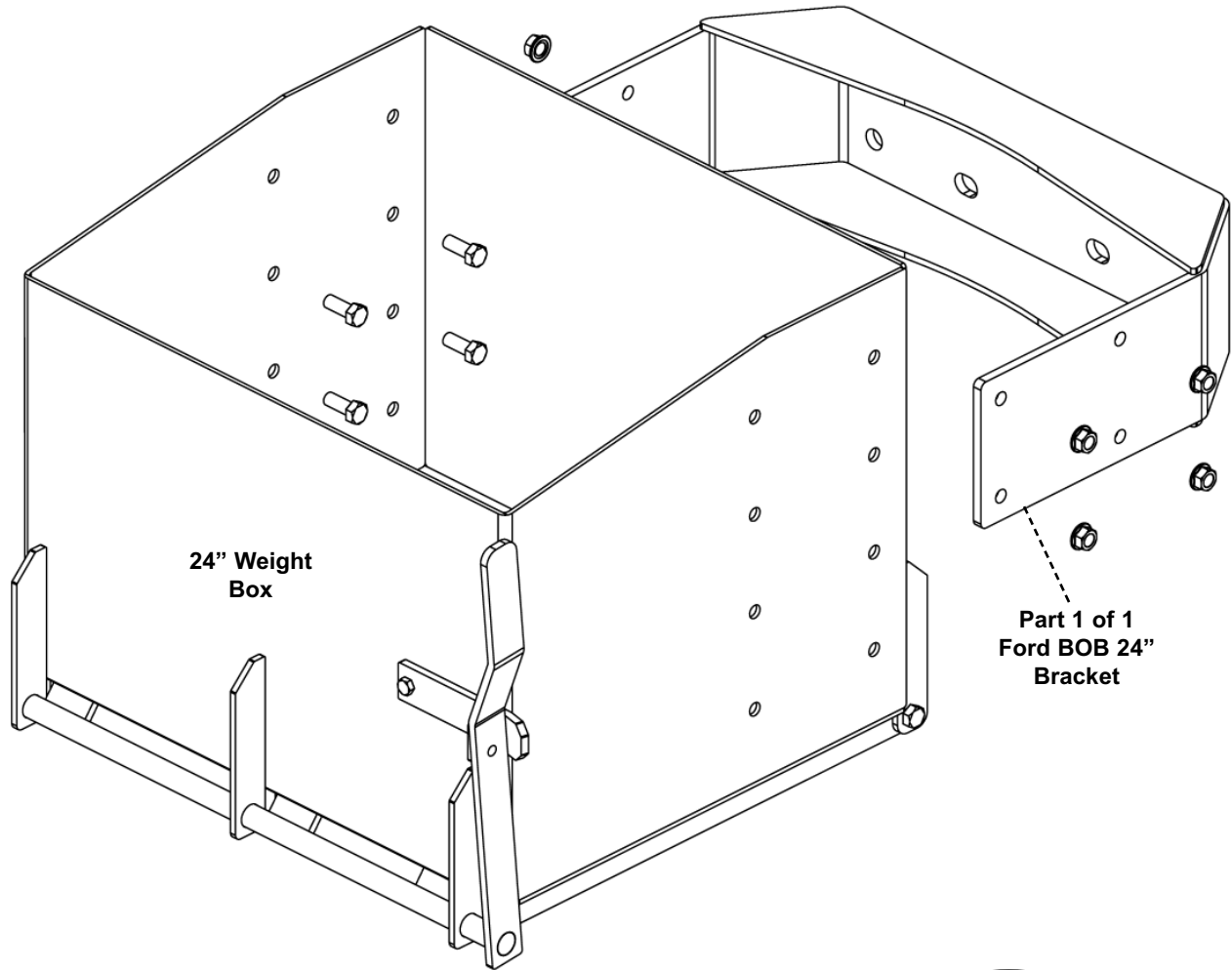


CIH - New Holland BOB 24"

10S, 30, 35, 40, 60, JX, MXU, TN, TL, TS, 2WD TM Series

Bracket Part Number: 2303

(24" Weight Box Part Number: 1830)



Also Includes
Weight Box
Mounting Bolt Bag
(PN: 40001)



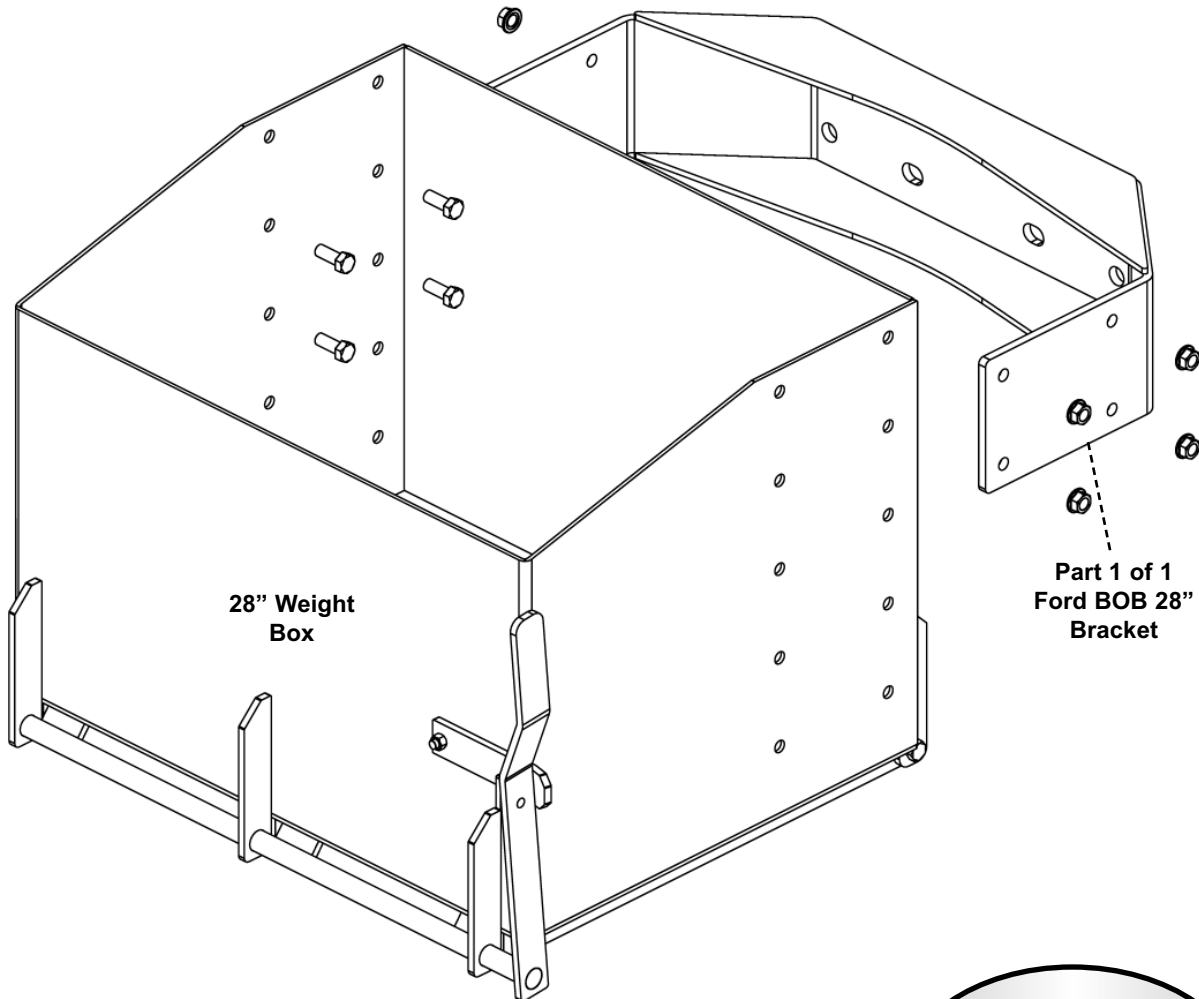
Phone - 800.328.1752
Fax - 320.329.3709
Email - sales@tractorseats.com
Web Site - www.tractorseats.com
P.O. Box 409 - 308 NW 2nd Street
Renville, MN 56284

CIH - New Holland BOB 28"

10S, 30, 35, 40, 60, JX, MXU, TN, TL, TS, 2WD TM Series

Bracket Part Number: 2304

(28" Weight Box Part Number: 1831)



Also Includes
Weight Box
Mounting Bolt Bag
(PN: 40001)

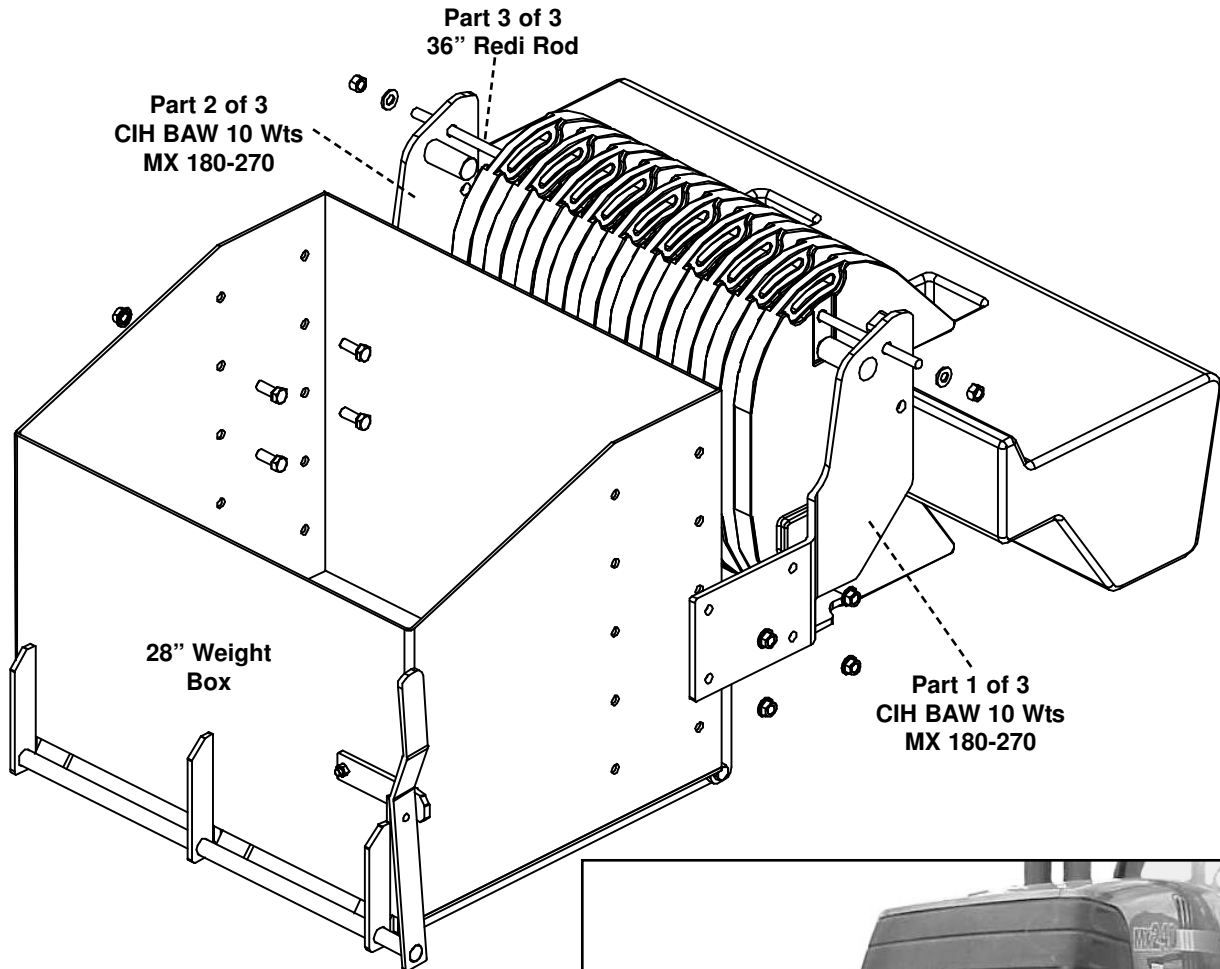


Phone - 800.328.1752
Fax - 320.329.3709
Email - sales@tractorseats.com
Web Site - www.tractorseats.com
P.O. Box 409 - 308 NW 2nd Street
Renville, MN 56284

CIH BAW - MX Series Magnum

Bracket Part Number: 2290

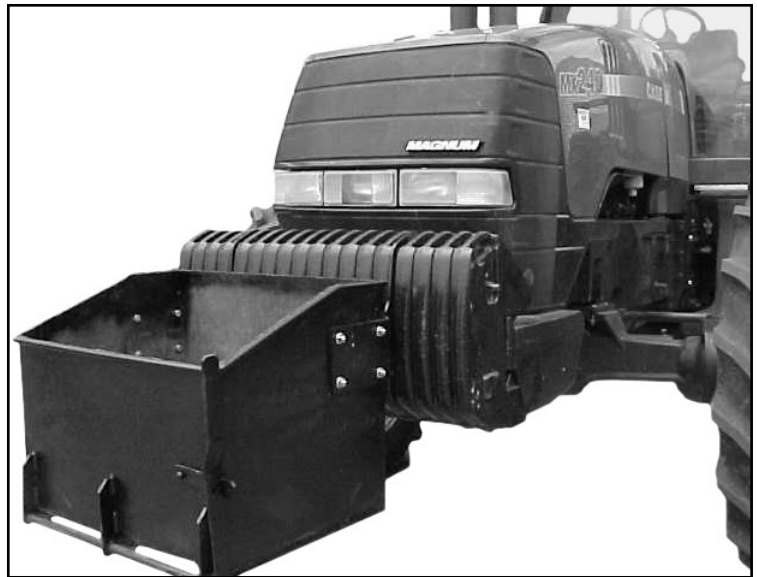
(28" Weight Box Part Number: 1831)



Also Includes
Weight Box
Mounting Bolt Bag
(PN: 40001)

Included Hardware

- 1 - 1/2" x 36" Redi Rod (PN: 80122)
- 2 - 1/2" Flat Washers (PN: 80217)
- 2 - 1/2" Nuts (PN: 80172)



K&M
Manufacturing

Phone - 800.328.1752

Fax - 320.329.3709

Email - sales@tractorseats.com

Web Site - www.tractorseats.com

P.O. Box 409 - 308 NW 2nd Street

Renville, MN 56284