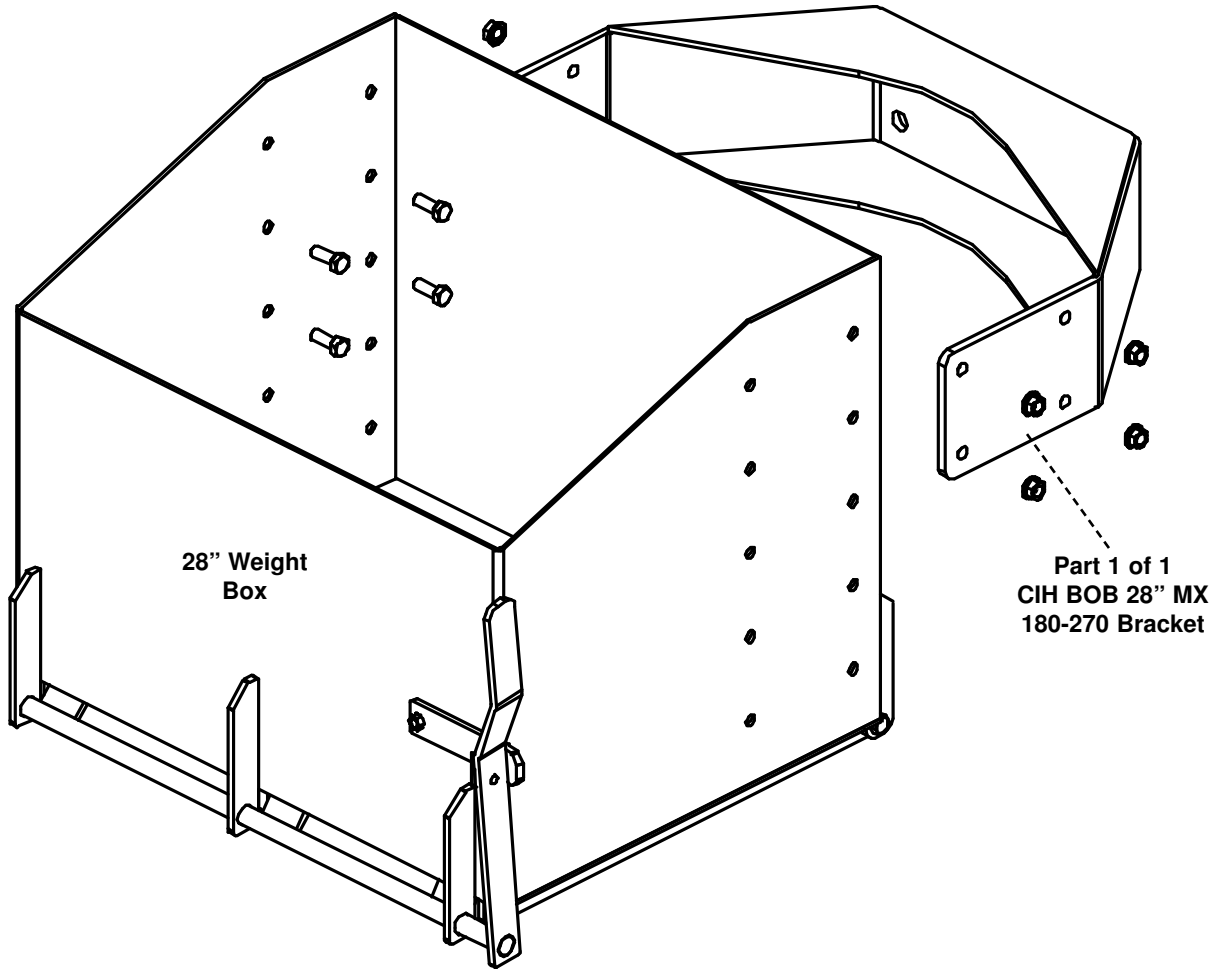


# CIH BOB 28"

CIH MX Series 180-270

Bracket Part Number: 2289

(28" Weight Box Part Number: 1831)



Also Includes  
Weight Box  
Mounting Bolt Bag  
(PN: 40001)

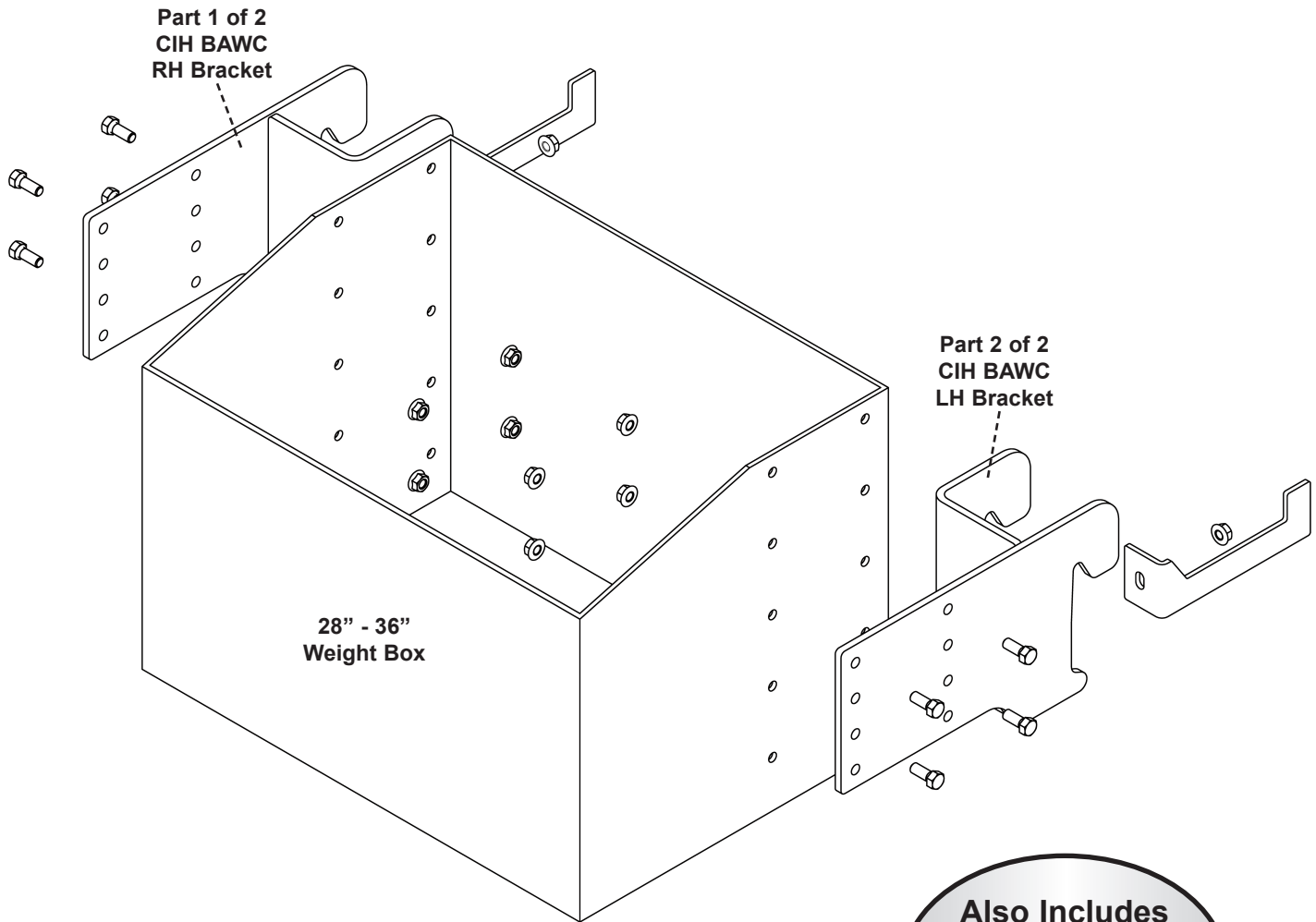


Phone - 800.328.1752  
Fax - 320.329.3709  
Email - sales@tractorseats.com  
Web Site - www.tractorseats.com  
P.O. Box 409 - 308 NW 2nd Street  
Renville, MN 56284

# CIH 2011 Tier 4 BAWC 28" - 36"

235, 260, 290, 315, 340 Model Year 2011 Tier 4 Only  
Part Number: 2482  
(Weight Box Part Numbers: 28" - 1831, 32" - 1850, 36" - 1833)

---



Also Includes  
Weight Box  
Mounting Bolt Bag  
(PN: 40001)



Phone - 800.328.1752  
Fax - 320.329.3709  
Email - sales@tractorseats.com  
Web Site - www.tractorseats.com  
P.O. Box 409 - 308 NW 2nd Street  
Renville, MN 56284