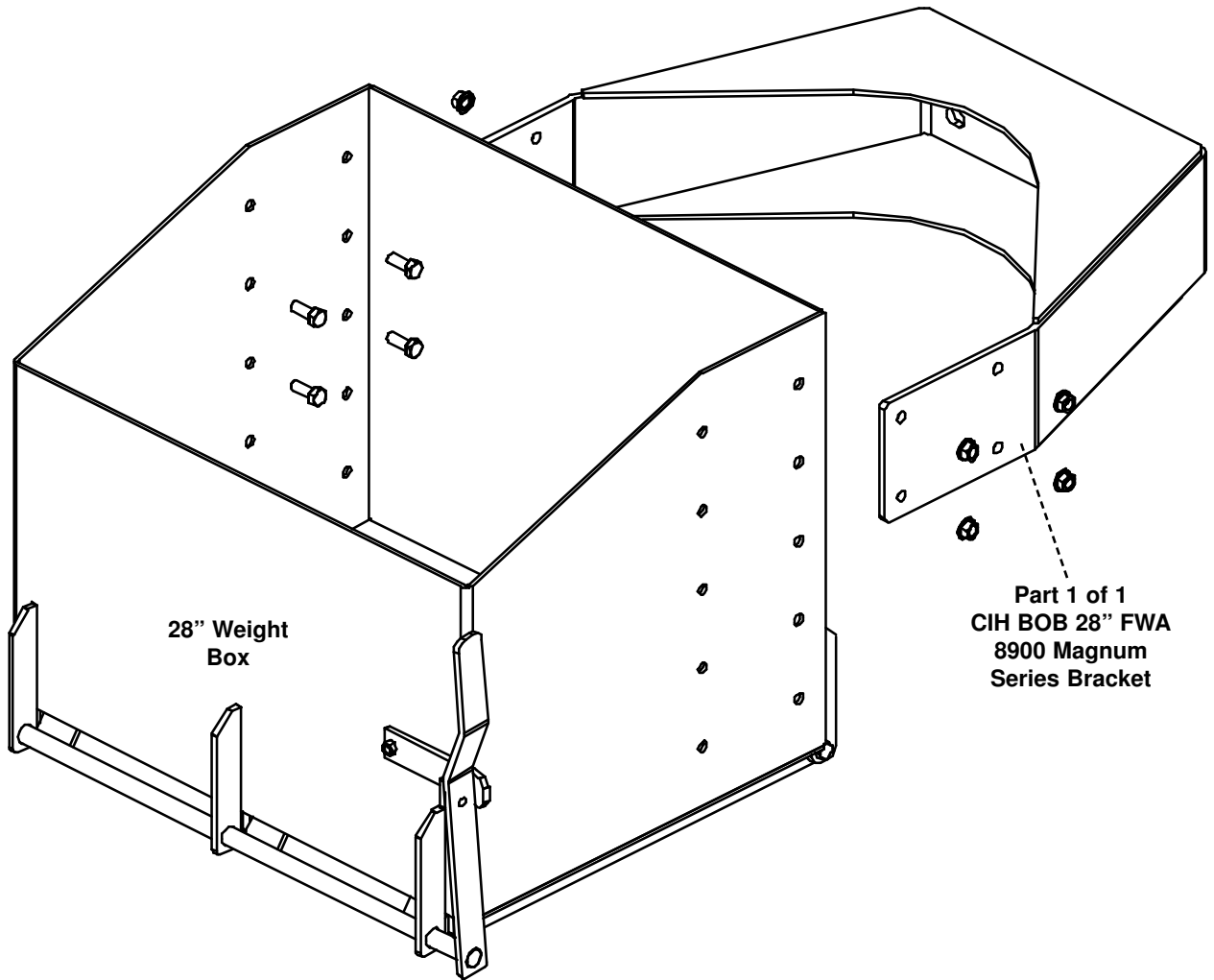


# CIH BOB 28"

## CIH FWA 8900 Magnum Series

Bracket Part Number: 2288

(28" Weight Box Part Number: 1831)



**Also Includes  
Weight Box  
Mounting Bolt Bag  
(PN: 40001)**



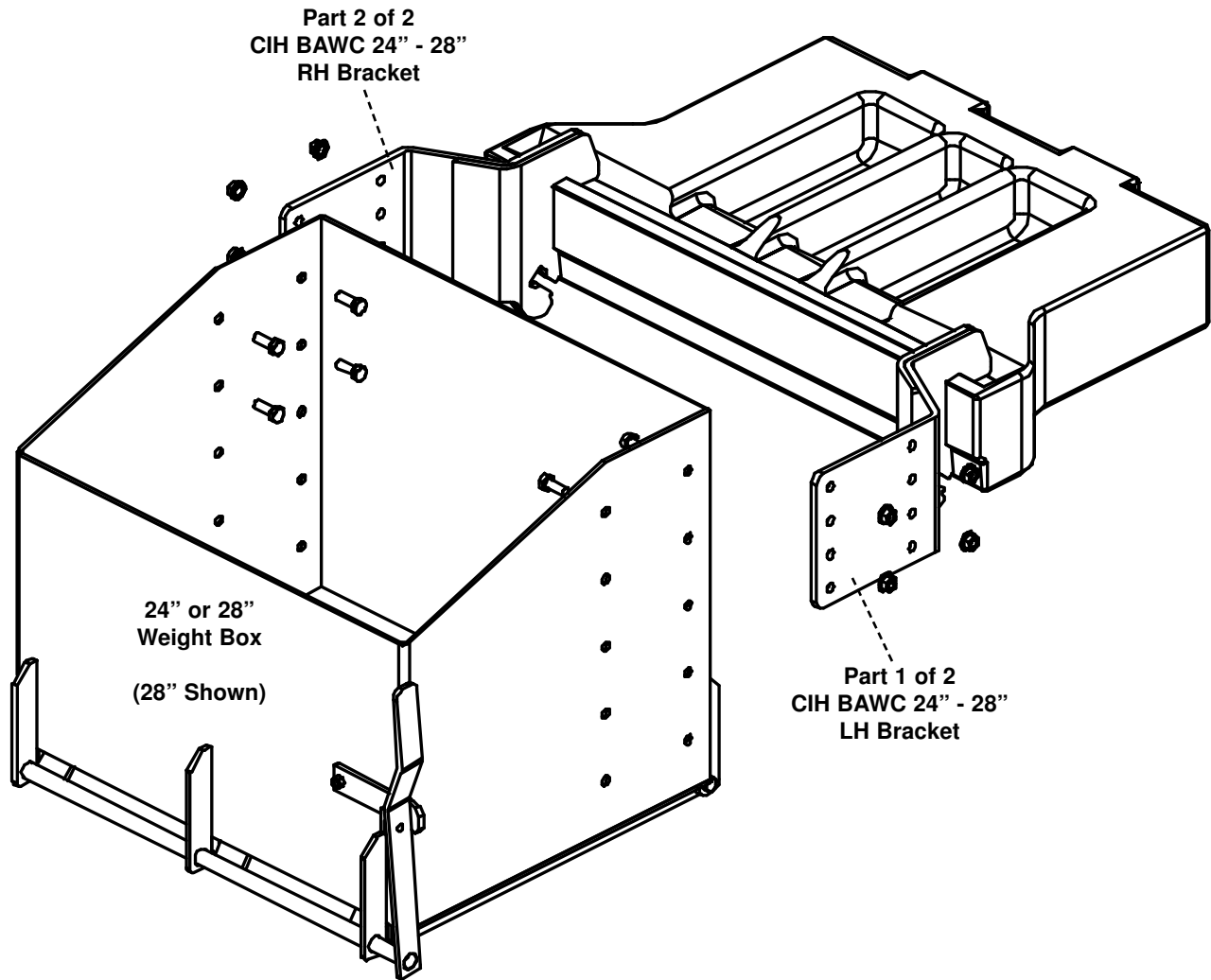
Phone - 800.328.1752  
Fax - 320.329.3709  
Email - sales@tractorseats.com  
Web Site - www.tractorseats.com  
P.O. Box 409 - 308 NW 2nd Street  
Renville, MN 56284

# CIH BAWC 24" - 28"

94, 96, Magnum & Maxxum Series

Bracket Part Number: 2446

(24" Weight Box Part Number: 1830 - 28" Weight Box Part Number: 1831)



Also Includes  
Weight Box  
Mounting Bolt Bag  
(PN: 40001)



Phone - 800.328.1752  
Fax - 320.329.3709  
Email - sales@tractorseats.com  
Web Site - www.tractorseats.com  
P.O. Box 409 - 308 NW 2nd Street  
Renville, MN 56284