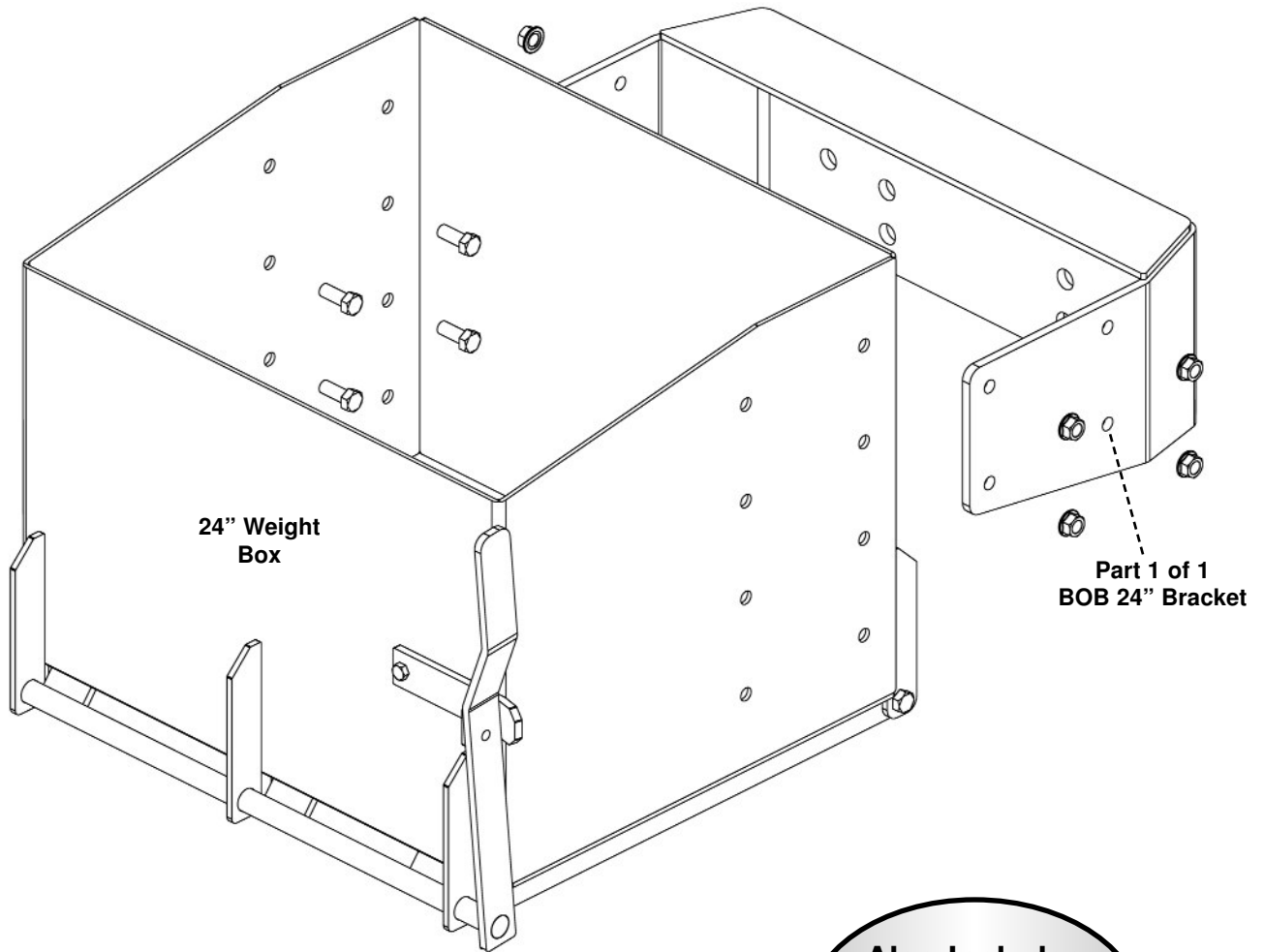


BOB 24"

Bracket Part Number: 2278
(24" Weight Box Part Number: 1830)



Also Includes
Weight Box
Mounting Bolt Bag
(PN: 40001)

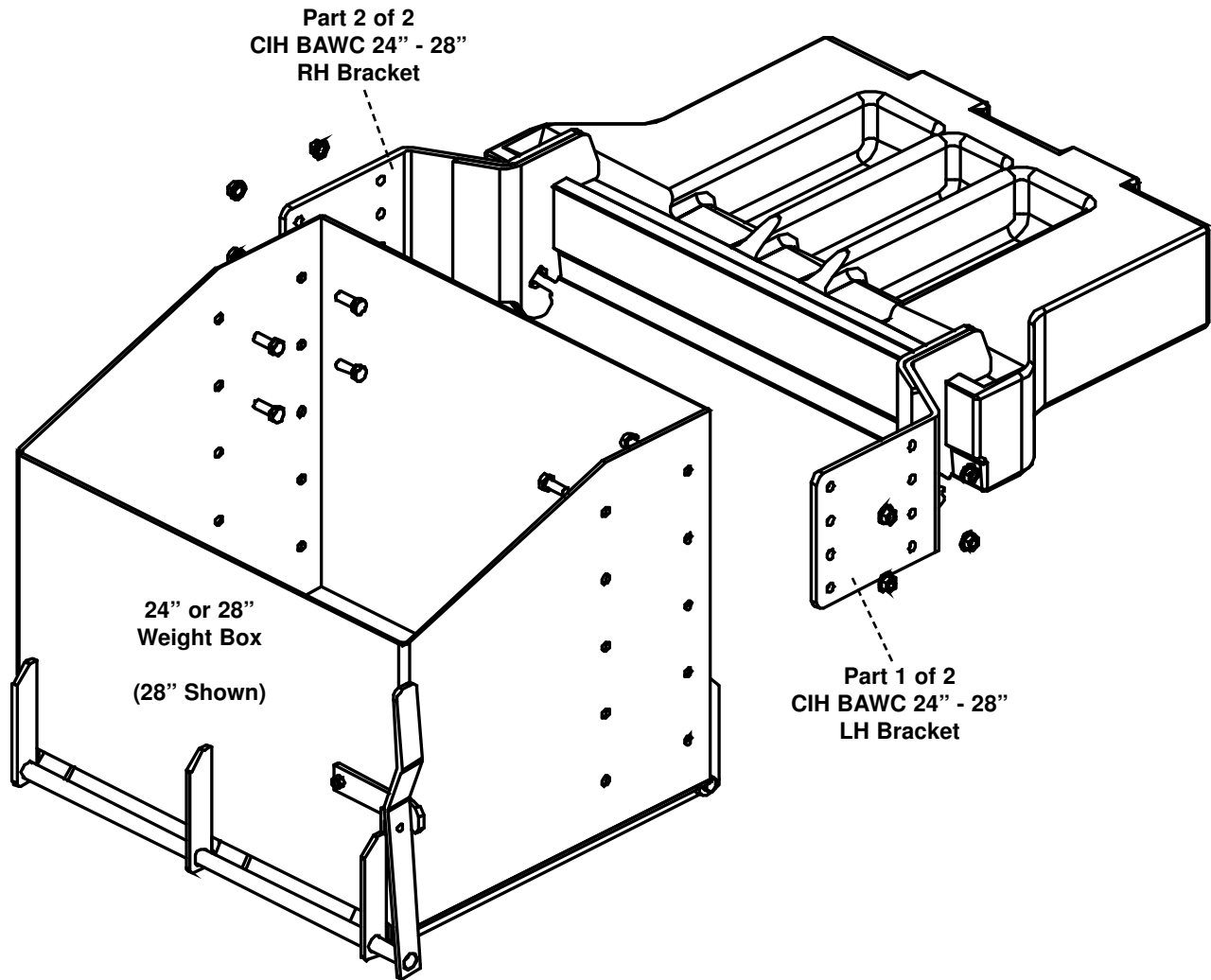


Phone - 800.328.1752
Fax - 320.329.3709
Email - sales@tractorseats.com
Web Site - www.tractorseats.com
P.O. Box 409 - 308 NW 2nd Street
Renville, MN 56284

CIH BAWC 24" - 28"

Bracket Part Number: 2446

(24" Weight Box Part Number: 1830 - 28" Weight Box Part Number: 1831)



Also Includes
Weight Box
Mounting Bolt Bag
(PN: 40001)



Phone - 800.328.1752
Fax - 320.329.3709
Email - sales@tractorseats.com
Web Site - www.tractorseats.com
P.O. Box 409 - 308 NW 2nd Street
Renville, MN 56284