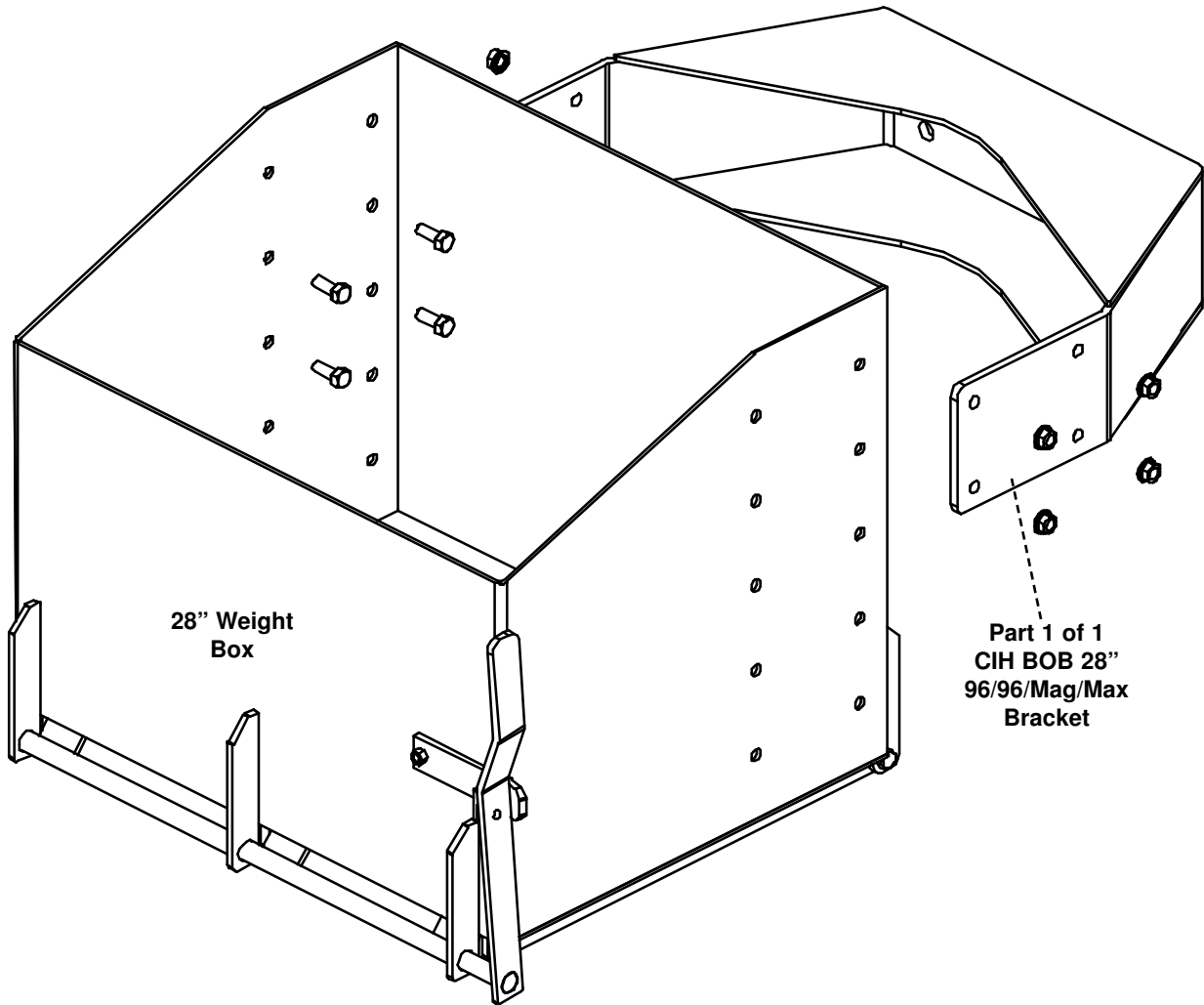


CIH BOB 28"

CIH 94 - 96 - Magnum - Maxxum

Bracket Part Number: 2277

(28" Weight Box Part Number: 1831)



Also Includes
Weight Box
Mounting Bolt Bag
(PN: 40001)



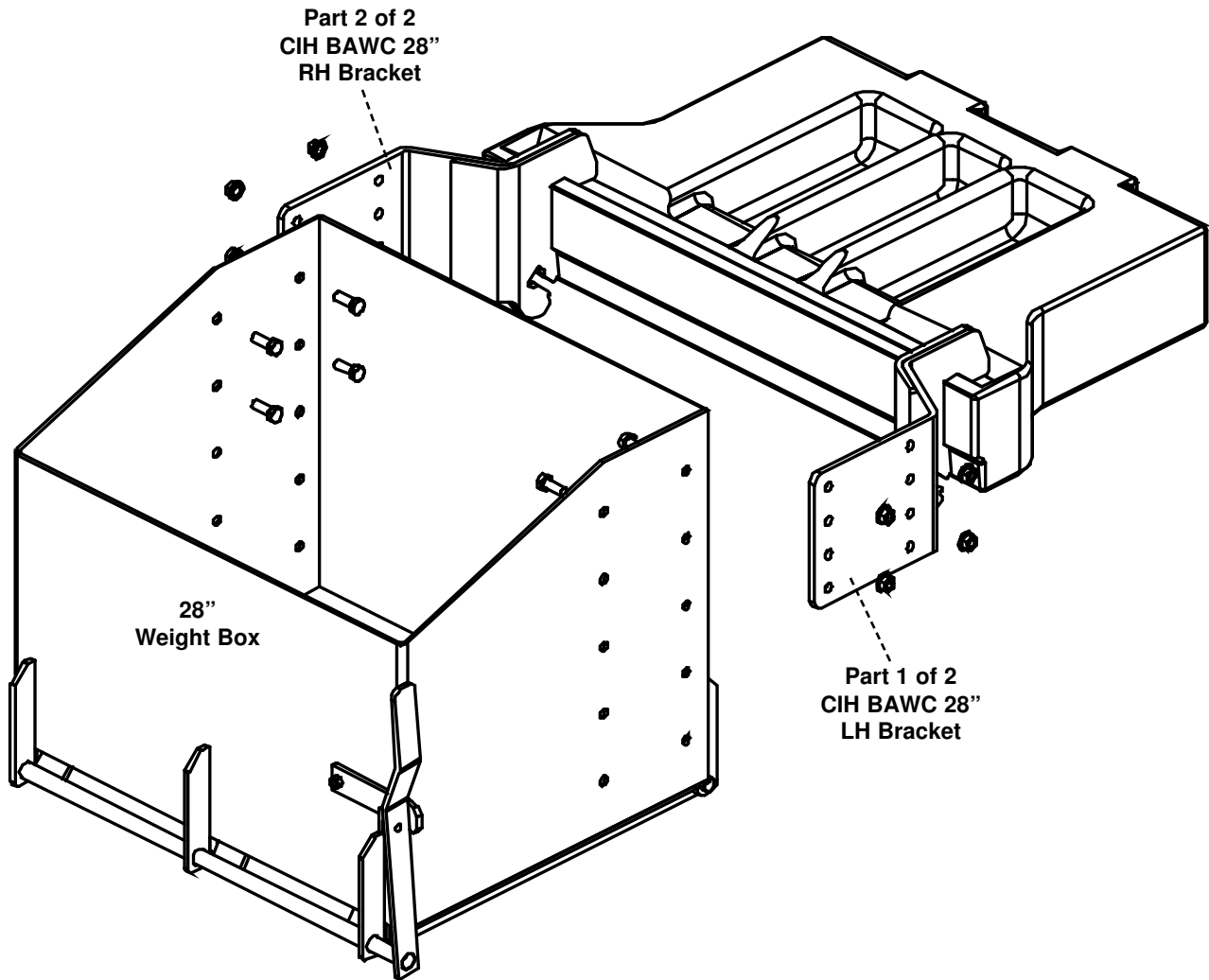
Phone - 800.328.1752
Fax - 320.329.3709
Email - sales@tractorseats.com
Web Site - www.tractorseats.com
P.O. Box 409 - 308 NW 2nd Street
Renville, MN 56284

CIH BAWC 28"

94, 96, Magnum & Maxxum Series

Bracket Part Number: 2446

(28" Weight Box Part Number: 1831)



Also Includes
Weight Box
Mounting Bolt Bag
(PN: 40001)



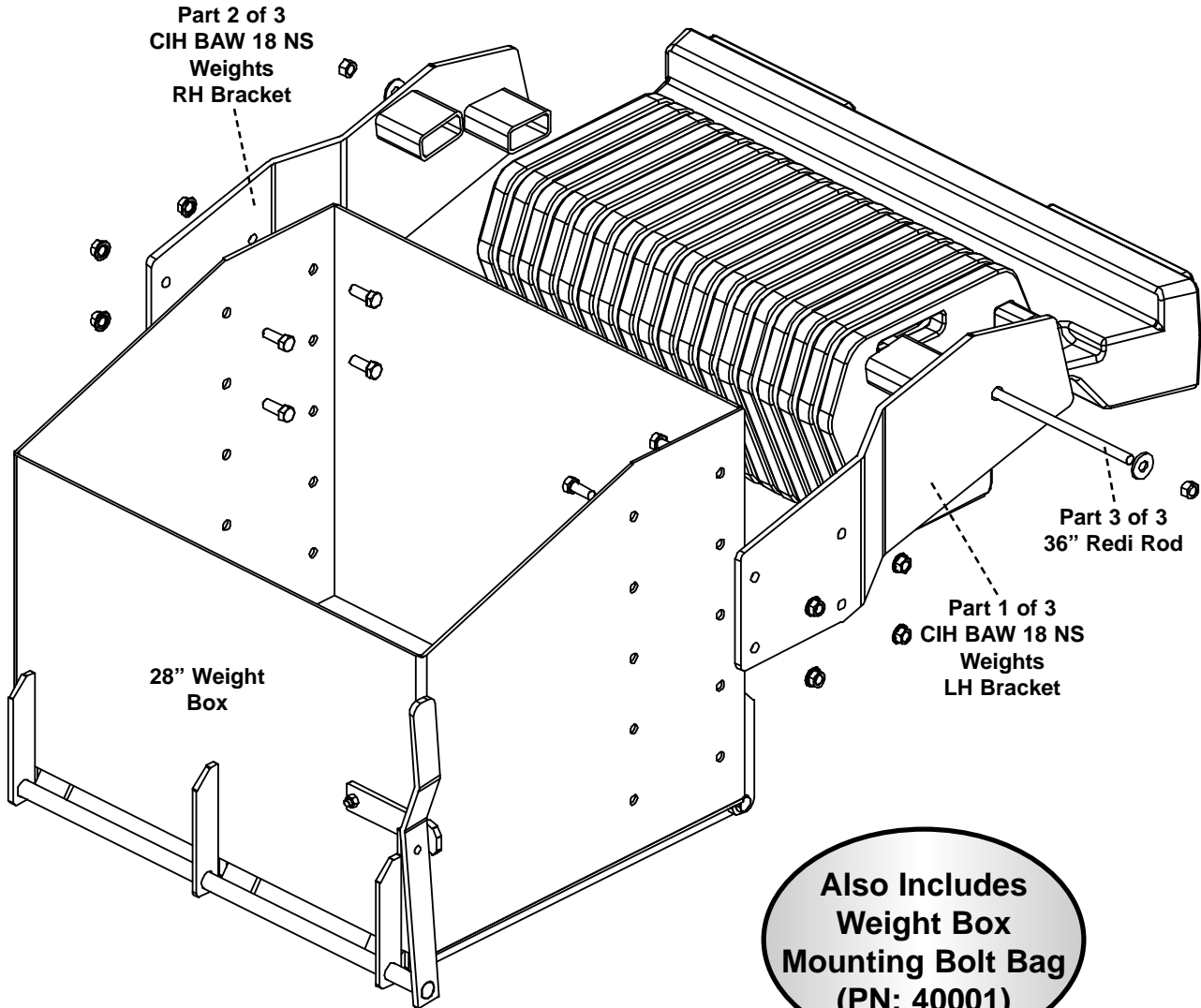
Phone - 800.328.1752
Fax - 320.329.3709
Email - sales@tractorseats.com
Web Site - www.tractorseats.com
P.O. Box 409 - 308 NW 2nd Street
Renville, MN 56284

CIH BAW 18 New Style Weights

CIH 94, 96, Magnum Series 2WD / FWD

Bracket Part Number: 2443

(28" Weight Box Part Number: 1831)



Included Hardware:

- 1 - 1/2"-13 x 36" Treaded Redi-Rod (PN: 80122)
- 2 - 1/2" Flat Washers (PN: 80217)
- 2 - 1/2" Hex Nuts (PN: 80172)



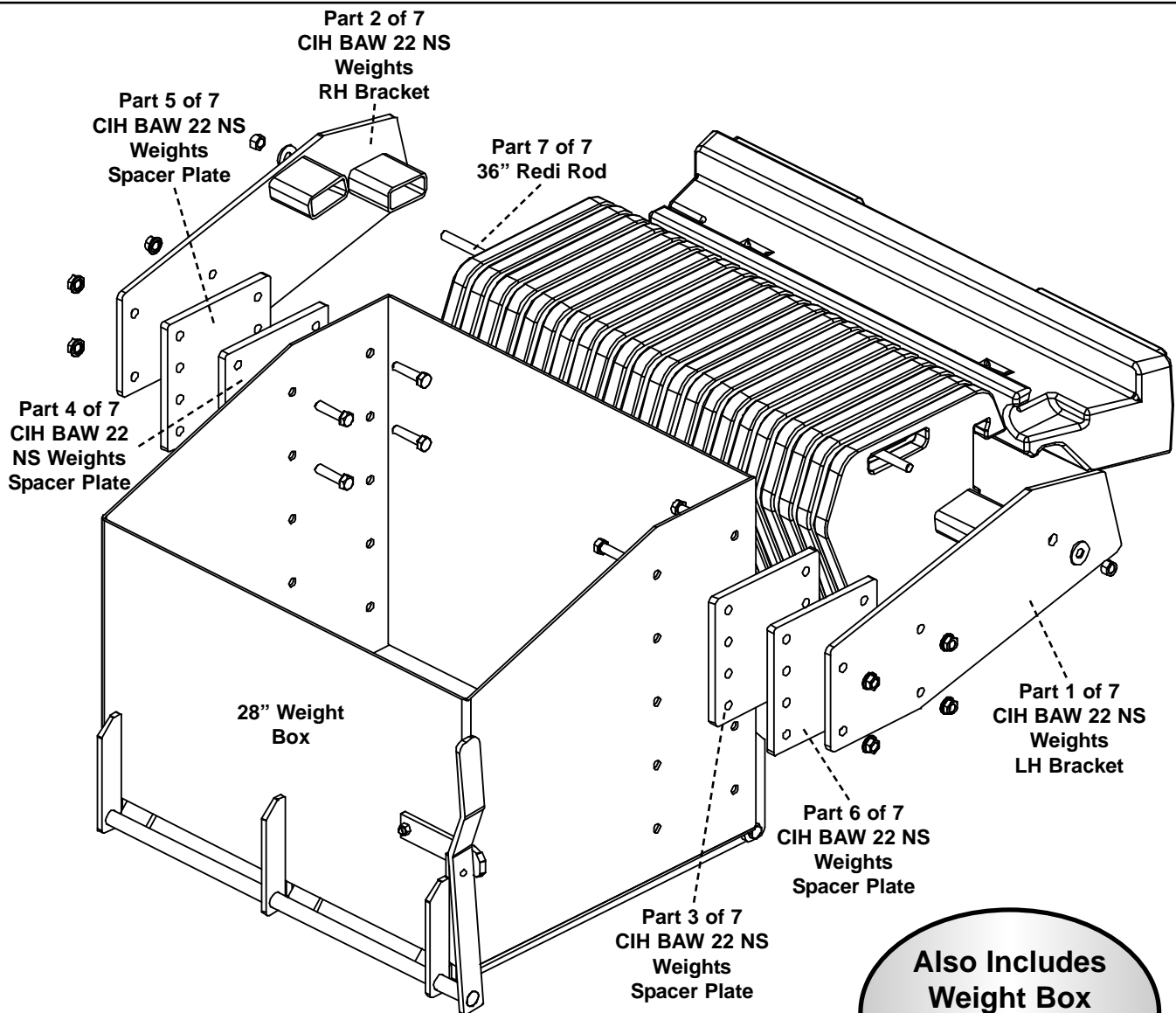
Phone - 800.328.1752
Fax - 320.329.3709
Email - sales@tractorseats.com
Web Site - www.tractorseats.com
P.O. Box 409 - 308 NW 2nd Street
Renville, MN 56284

CIH BAW 22 New Style Weights

CIH 94, 96, Magnum Series 2WD / FWD

Bracket Part Number: 2444

(28" Weight Box Part Number: 1831)



Also Includes
Weight Box
Mounting Bolt Bag
(PN: 40002)

Included Hardware:

- 1 - 1/2"-13 x 36" Treaded Redi-Rod (PN: 80122)
- 2 - 1/2" Flat Washers (PN: 80217)
- 2 - 1/2" Hex Nuts (PN: 80172)



Phone - 800.328.1752
Fax - 320.329.3709
Email - sales@tractorseats.com
Web Site - www.tractorseats.com
P.O. Box 409 - 308 NW 2nd Street
Renville, MN 56284