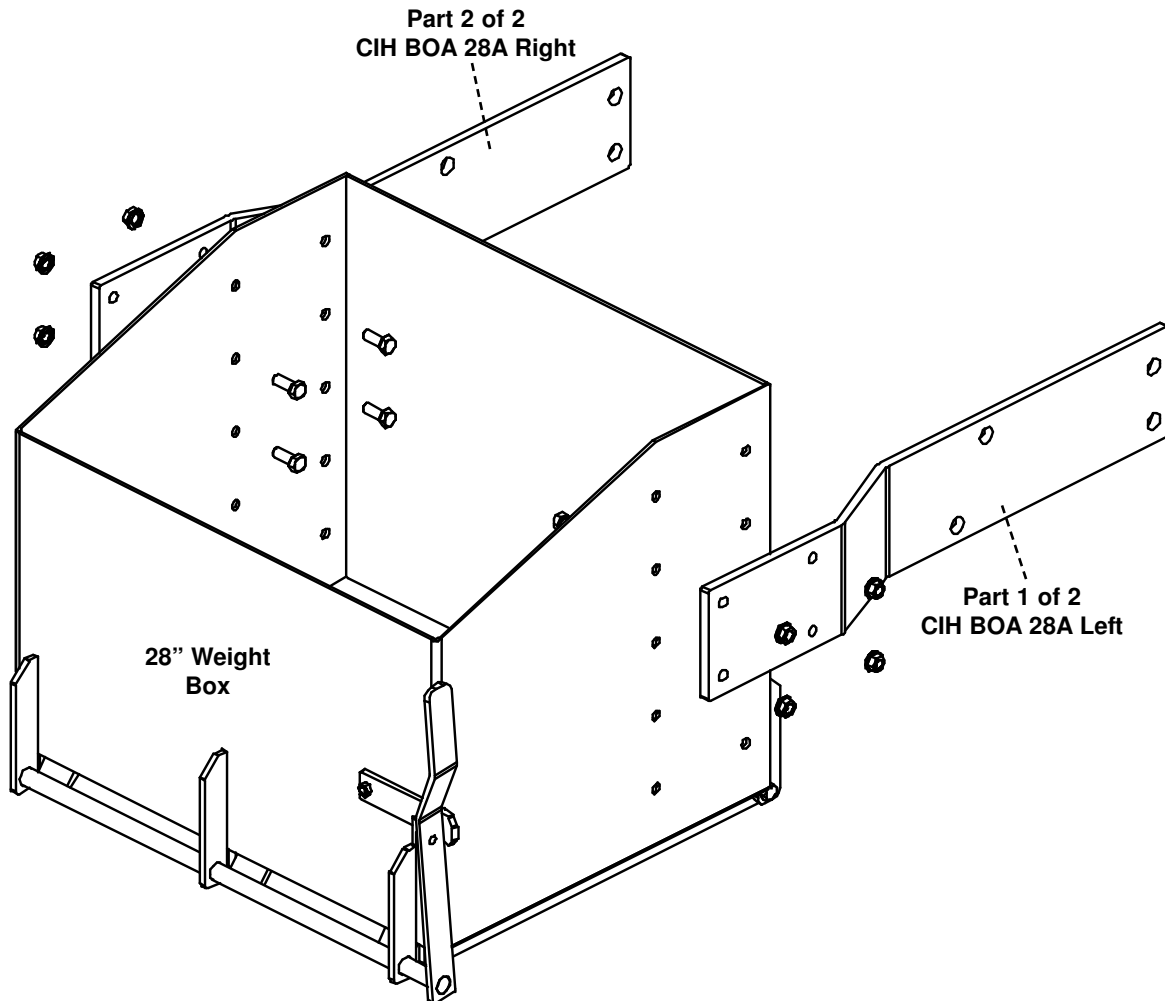


# CIH BOA 28"

CIH 2090 - 2290 - 2294 - 2394

Bracket Part Number: 2271

(28" Weight Box Part Number: 1831)



Also Includes  
Weight Box  
Mounting Bolt Bag  
(PN: 40001)



Phone - 800.328.1752  
Fax - 320.329.3709  
Email - sales@tractorseats.com  
Web Site - www.tractorseats.com  
P.O. Box 409 - 308 NW 2nd Street  
Renville, MN 56284