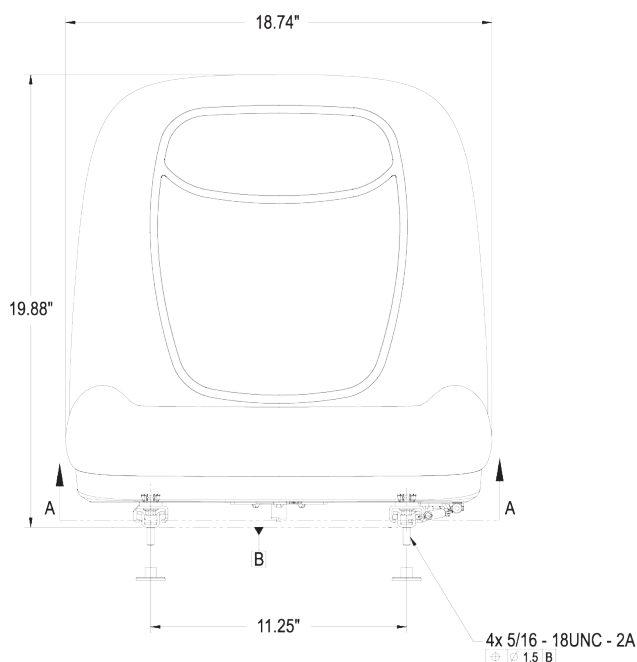
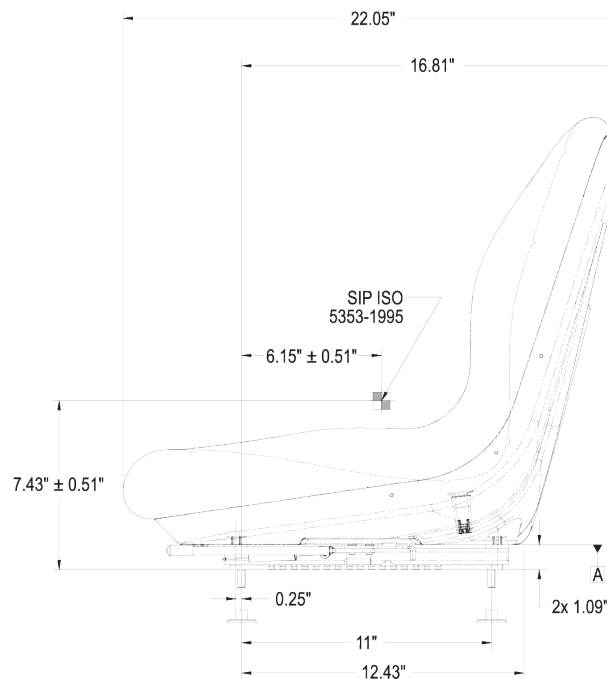


KM 128 Uni Pro™ Bucket Seat

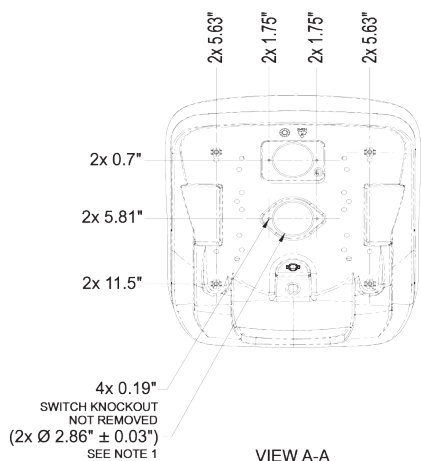
Front View



Side Left View

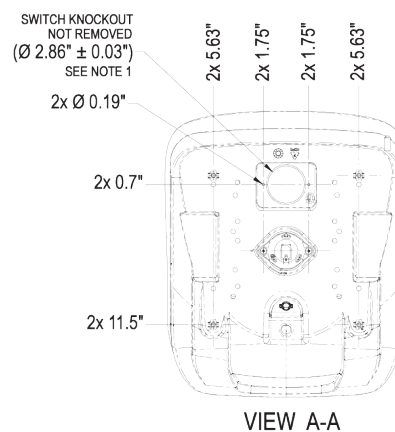


Bottom View (Black Vinyl)



NOTES: 1) SEAT SHELL INCLUDES TWO OPS MOUNT LOCATION PLUGS THAT MAY BE REMOVED BY THE CUSTOMER. SEAT HAS BEEN QUALIFIED WITH SWITCH 20178 IN BOTH POSITIONS. IF TWO SWITCHES ARE INSTALLED, THEY ARE TO BE WIRED IN PARALLEL, NOT IN SERIES.

Bottom View (Gray Vinyl)



NOTES: 1) SEAT SHELL INCLUDES A SECOND SWITCH MOUNT LOCATION WITH A PLUG THAT MAY BE REMOVED BY THE CUSTOMER. SEAT HAS BEEN QUALIFIED WITH SWITCH 20178 IN BOTH POSITIONS. IF TWO SWITCHES ARE INSTALLED, THEY ARE TO BE WIRED IN PARALLEL, NOT IN SERIES.