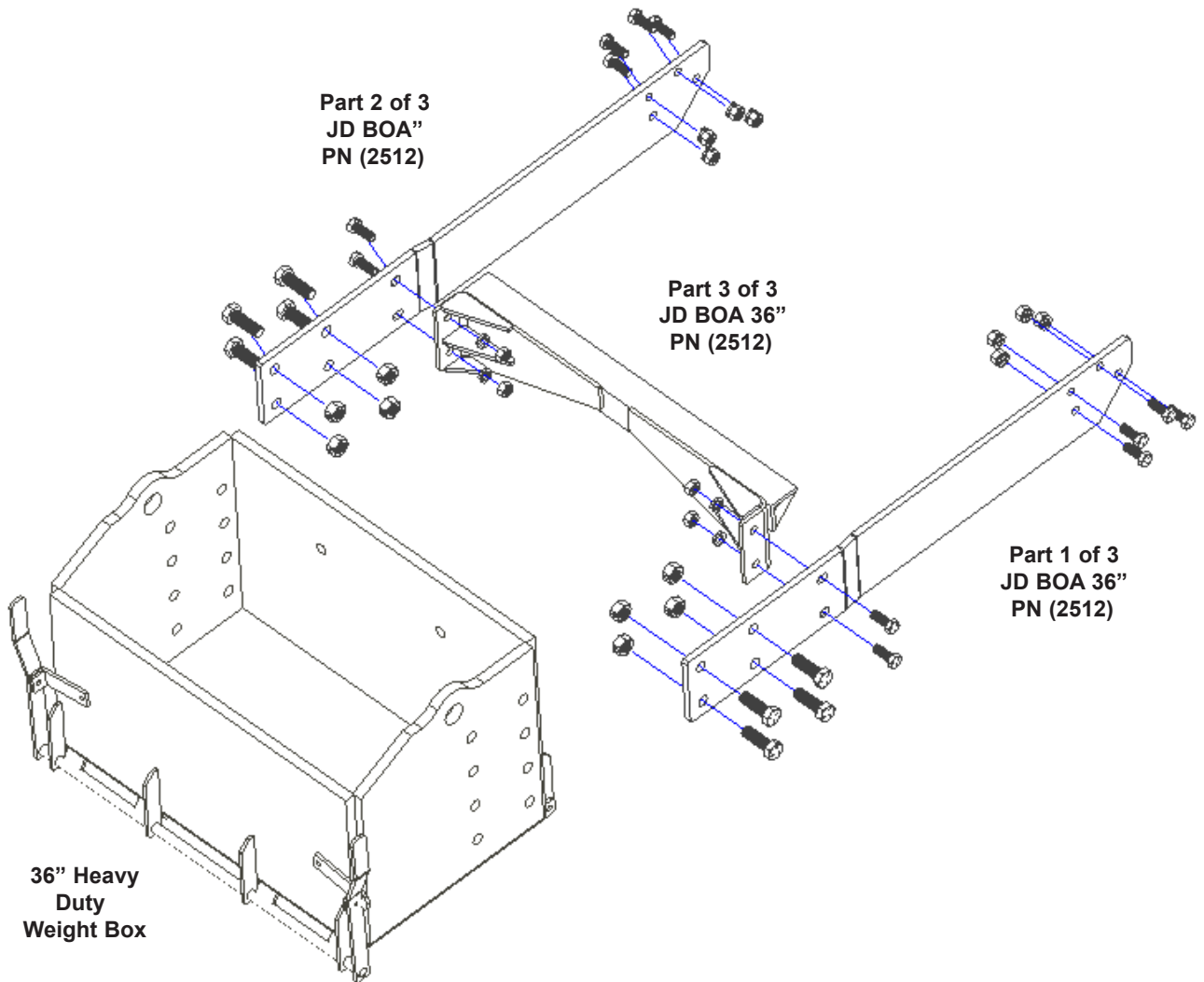


# John Deere BOA 36"

## JD 9-9RX SERIES

Bracket Part Number: 2512

(36" Weight Box Part Number: 1816)



Part 2 of 3  
JD BOA 36"  
PN (2512)

Part 3 of 3  
JD BOA 36"  
PN (2512)

Part 1 of 3  
JD BOA 36"  
PN (2512)

36" Heavy  
Duty  
Weight Box

Also Includes  
Weight Box  
Mounting Bolt Bag  
(PN: 40304)



Phone - 800.328.1752

Fax - 320.329.3709

Email - [sales@tractorseats.com](mailto:sales@tractorseats.com)

Web Site - [www.tractorseats.com](http://www.tractorseats.com)

P.O. Box 409 - 308 NW 2nd Street

Renville, MN 56284