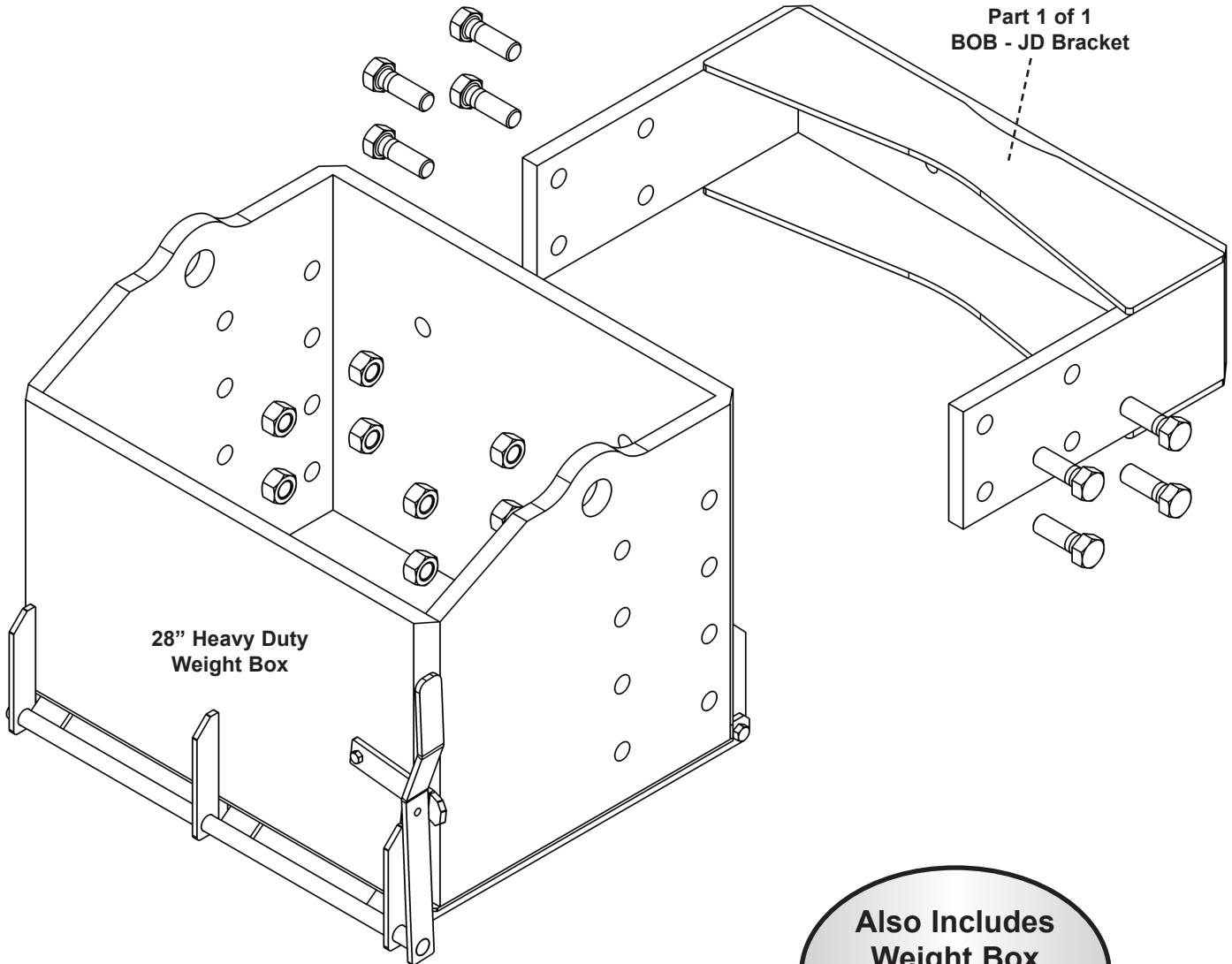


JD Heavy Duty BOB 28"

John Deere 40, 50, 60, 7000 & 8000 Series

Part Number: 2494

(28" Heavy Duty Weight Box Part Number: 1813)



**Also Includes
Weight Box
Mounting Bolt Bag
(PN: 40007)**



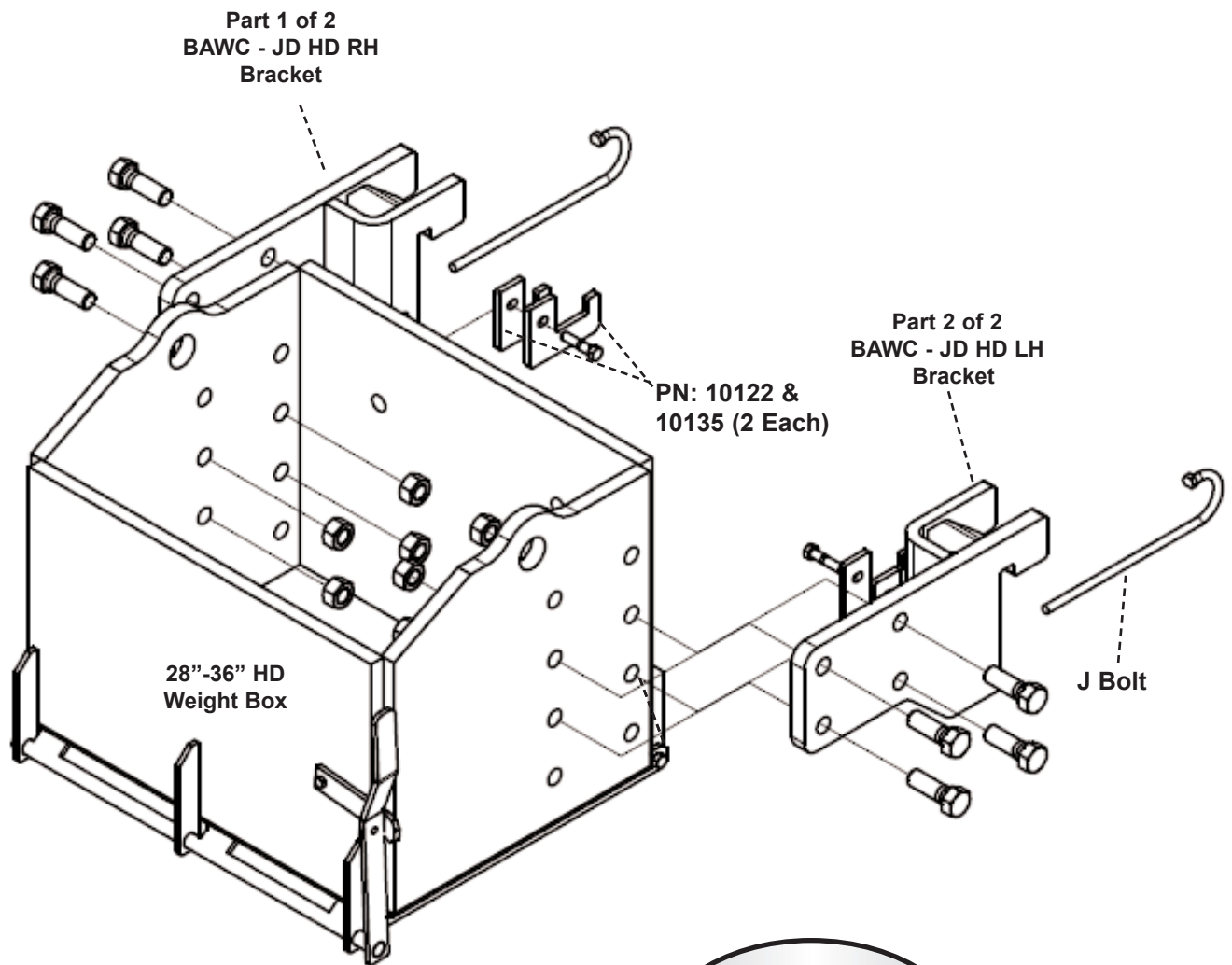
Phone - 800.328.1752
Fax - 320.329.3709
Email - sales@tractorseats.com
Web Site - www.tractorseats.com
P.O. Box 409 - 308 NW 2nd Street
Renville, MN 56284

JD HEAVY DUTY BAWC 28"-36"

7000, 8000, 9000 Series

Part Number: 2478

(Heavy Duty Weight Box - 28" PN: 1813, 36" PN: 1815)



NOTE: You will not use all of the attachment hardware. You will only use one set of the three mounting hooks (10122, 10135 or the J-Bolts) depending on the weight cage. Cages that are solid on the back side will use one of the steel hooks (PN: 10122 or 10135). Cages that are hollow on the back side will use the J-bolt.

Also Includes
Weight Box
Mounting Bolt Bag
(PN: 40007)



Phone - 800.328.1752
Fax - 320.329.3709
Email - sales@tractorseats.com
Web Site - www.tractorseats.com
P.O. Box 409 - 308 NW 2nd Street
Renville, MN 56284