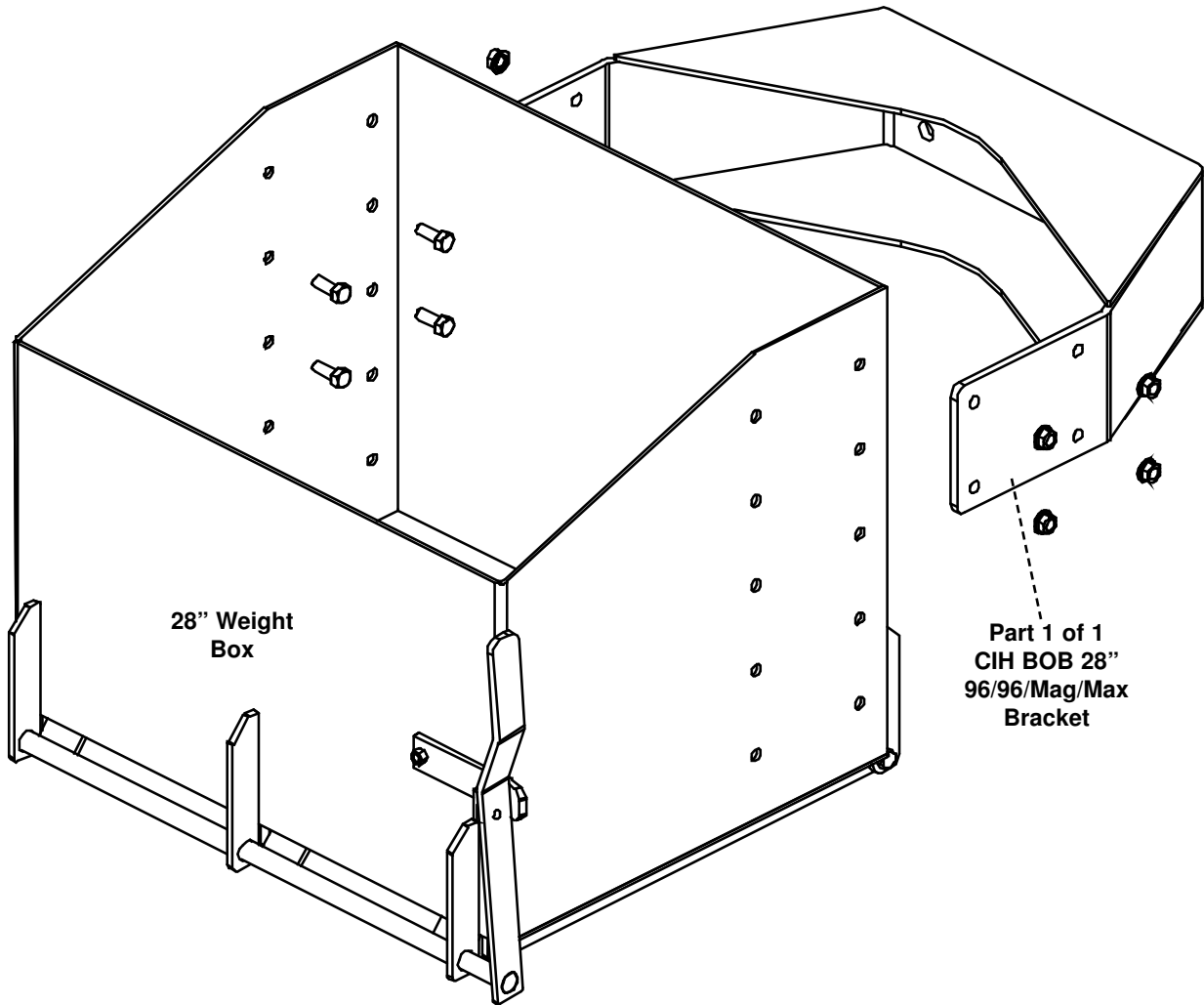


BOB 28"

Bracket Part Number: 2277
(28" Weight Box Part Number: 1831)



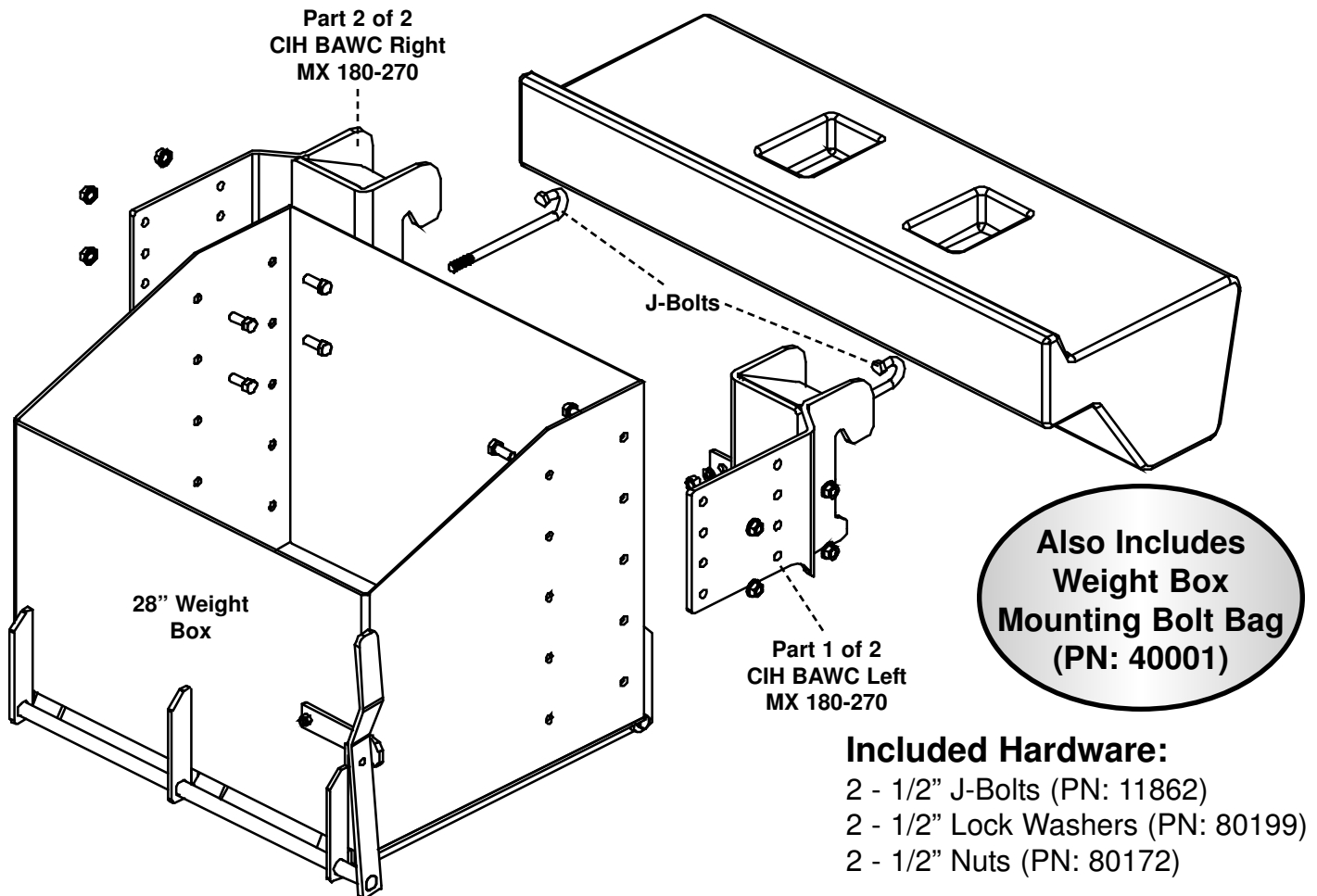
Also Includes
Weight Box
Mounting Bolt Bag
(PN: 40001)



Phone - 800.328.1752
Fax - 320.329.3709
Email - sales@tractorseats.com
Web Site - www.tractorseats.com
P.O. Box 409 - 308 NW 2nd Street
Renville, MN 56284

BAWC 28"

Bracket Part Number: 2456
(28" Weight Box Part Number: 1831)



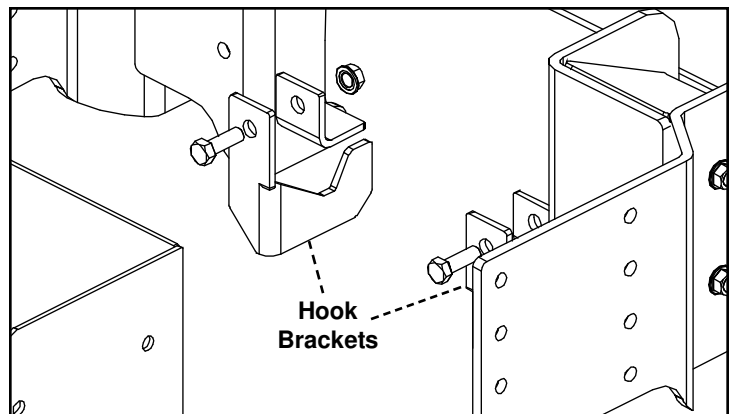
MXM Series - Requires Hardware Kit (PN: 11999)

Note!

Hook Brackets
(PN: 11999) replace
J-Bolts (PN: 11862) when
applied to MXM Series.

MXM Hardware Kit Includes:

- 2 - Hook Brackets (PN: 11999)
- 2 - 1/2" x 1 1/2" Bolts (PN: 80069)
- 2 - 1/2" Flange Nuts (PN: 80151)



K&M
Manufacturing

Phone - 800.328.1752
Fax - 320.329.3709
Email - sales@tractorseats.com
Web Site - www.tractorseats.com
P.O. Box 409 - 308 NW 2nd Street
Renville, MN 56284