



JD 7020-9030 Series

Seat & Suspension Kits



CHOOSE FROM

- | | | |
|--|----|--|
| 
KM 1061 Uni Pro™
Seat & Air Suspension
PN: 6892
Brown Fabric | OR | 
1310 Uni Pro™ Seat
& Air Suspension
PN: 6894
Brown Fabric |
|--|----|--|

NEW PLUG & PLAY SEAT KITS
 Complete plug and play wiring for easy install.

See **PAGES 2** for applications, drawings and additional part information.



Adjustable fold-up armrests allow easy access to the seat and individual comfort

Tapered back support and adjustable backrest adds comfort and versatility

Adjustable mechanical lumbar supports your lower back with multiple settings and provides extra back support (lever on backrest)

Cut and sew cushions for operator comfort

Adjustable slide rails with 4" of travel

Fore/aft isolator absorbs jarring for extra comfort (Isolator can also be disabled.)

When seated, **seat depth adjustment (right)** and **cushion angle adjustment (left)** for individual fit

Air adjustment switch

Durable suspension cover keeps suspension components free of dirt and dust

PN: 6892

- Replacement kits for original seat
- **Grammer MSG95/741 Seat**
- Made with durable cut and sew brown fabric
- Backrest extension for extra height adjustment
- Air suspension for smoother, more comfortable ride
- Self-contained 12-volt compressor is wired to the tractor's electrical system to provide power to the suspension
- Suspension stroke of 3.94"
- Shock absorber adjusts for different settings
- 8.25" fore/aft suspension travel
- 3" height adjustment
- Comes standard with operator presence switch

PN: 6892 Includes: KM 1061 Uni Pro™ Seat & Suspension, JD Command Arm Bracket, Pedestal, Seat Adapter Plate, Install Hardware & Installation Instructions

Swivel is Optional (PN: 5007 for PN: 6892)

APPLICATIONS



Tractors

Fits - John Deere® 7020-7030 with IVT Transmission and 8000-9030(T) Series Tractors:

7020-7030 Series with IVT Transmission*: 7720, 7820, 7920; 7630, 7730, 7830, 7930;
8000-9030(T) Series: 8100, 8200, 8300, 8400; 8110, 8210, 8310, 8410; 8120, 8220, 8320, 8420, 8520; 8130, 8230, 8330, 8430, 8530, 8630; 8100T, 8200T, 8300T, 8400T; 8110T, 8210T, 8310T, 8410T; 8120T, 8220T, 8320T, 8420T, 8520T; 8230T, 8330T, 8430T; 9100, 9200, 9300, 9400; 9120, 9220, 9320, 9420, 9520, 9620; 9230, 9330, 9430, 9530; 9300T, 9400T; 9320T, 9420T, 9520T, 9620T; 9430T, 9530T, 9630T

PN: 6894 Includes: KM 1310 Uni Pro™ Seat & Suspension, JD Command Arm Bracket, Pedestal, Seat Adapter Plate, Install Hardware & Installation Instructions

Swivel is Optional (PN: 5007 for PN: 6894)

- Plush, spacious brown fabric cushions for comfort
- **Grammer MSG95 DDS/741 Seat**
- Low-frequency Grammer MSG95G DDS (Dynamic Dampening Suspension) air suspension
- Self-contained 12-volt compressor is wired to the tractor's electrical system to provide power to the suspension compressor
- Adjustable fold-up armrest for easy access
- 21.6" seat cushion width
- 3.9" suspension stroke
- 3.1" height adjustment
- Weight adjustment
- Meets ANSI requirements and ISO specifications

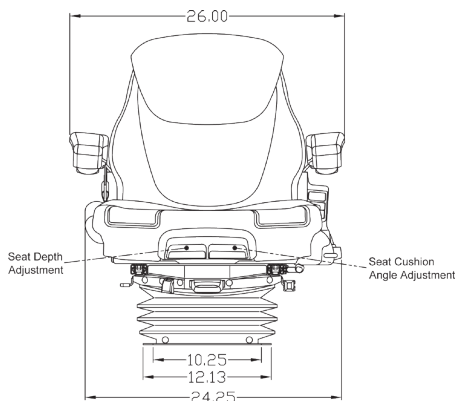
***Note:** For 7020-7030 Series Tractor without IVT Transmission, order **PN: 6889** or **6890** instead.

PN: 6894

When seated, seat depth adjustment (right) and cushion angle adjustment (left) for individual fit

Durable rubber molded suspension cover keeps suspension components free of dirt and dust

FRONT VIEW
PNs: 6892 & 6894



SIDE VIEW
PNs: 6892 & 6894

