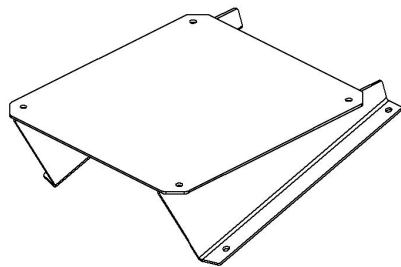
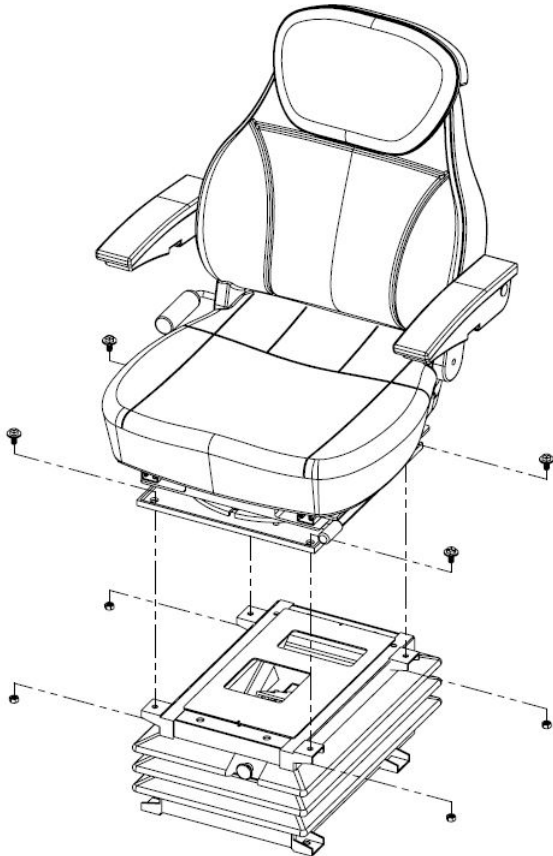
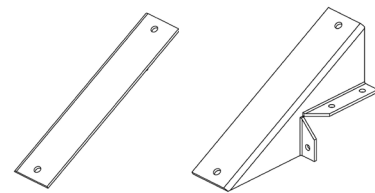


Installation Instructions for KM 1005 Uni Pro Seat & Suspension in Massey Ferguson Tractors with Angled Bostrom Mount

1. Remove the original seat and suspension from the tractor.
2. Bolt the Pedestal PN 6062 to the tractor cab deck support brackets with four 5/16" x 1" bolts and flange nuts.
3. Bolt the suspension assembly to the pedestal 6062 with four 5/16" x 3/4" bolts and flange nuts.
4. Bolt the seat and swivel assembly to the suspension assembly using spacers and M8 bolts and nuts provided in the bolt bag.
(Mechanical suspensions will not use nuts.)
5. Locate power cable coming from lower part of suspension and connect to 12v power source from tractor.



PED MF 11
PN: 6062



Original Tractor Cab
Deck Support Brackets