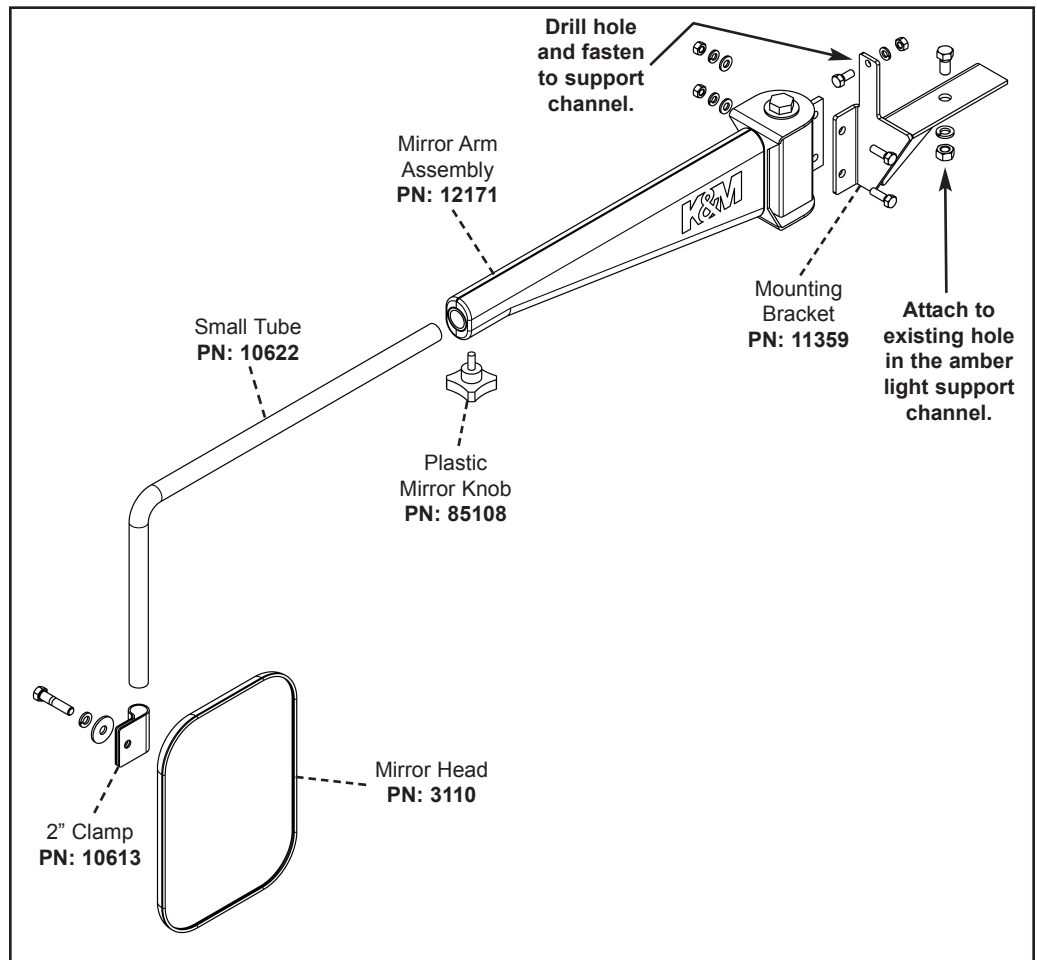


Installation Guide

New Holland Buhler Genesis Mirror - Left Side (PN: 3168)

Fits:
 New Holland Genesis 70 Series
 New Holland 70A Series
 Buhler Versatile Genesis Series

1. Remove the bolts and or screws from the front left corner of the cab top so the top of the cab can be raised about 2 inches.
2. Fasten the **mounting bracket** to the existing hole in the amber light support channel. Secure with one 7/16" x 3/4" bolt, lock washer and nut.
3. Drill a 5/16" hole to fasten the upper tab of the **mounting bracket** to the support channel. Secure with one 5/16" x 3/4" bolt, lock washer and nut.
4. Fasten the **mirror arm assembly** to the **mounting bracket** with two 5/16" x 1" full thread bolts, flat washers, lock washers and nuts.
5. Insert the **small tube** into the **mirror arm assembly** and secure with the **plastic mirror knob**.



Note!

Do not overtighten the plastic knob.

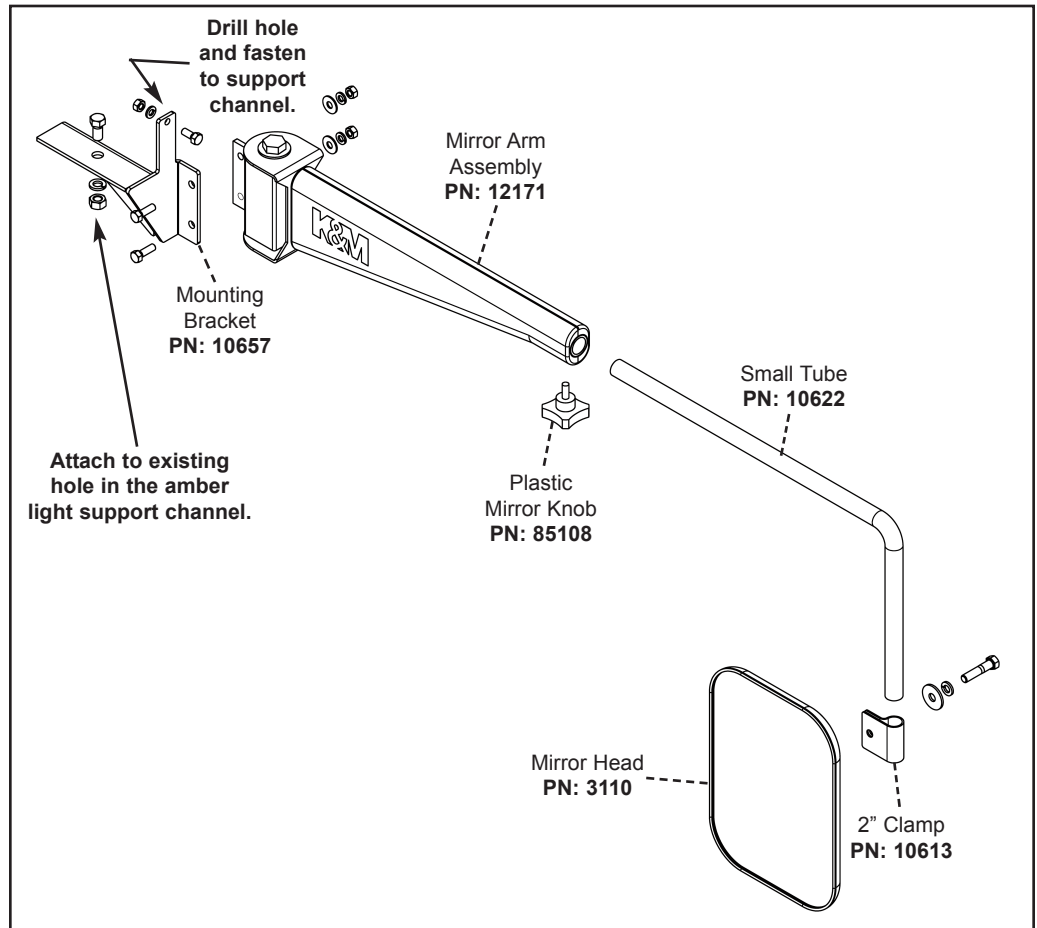
6. Fasten the **mirror head** to the **small pipe** with the **2" clamp** and included hardware.

Installation Guide

New Holland Buhler Genesis Mirror - Right Side (PN: 3169)

Fits:
 New Holland Genesis 70 Series
 New Holland 70A Series
 Buhler Versatile Genesis Series

1. Remove the bolts and or screws from the front right corner of the cab top so the top of the cab can be raised about 2 inches.
2. Fasten the **mounting bracket** to the existing hole in the amber light support channel. Secure with one 7/16" x 3/4" bolt, lock washer and nut.
3. Drill a 5/16" hole to fasten the upper tab of the **mounting bracket** to the support channel. Secure with one 5/16" x 3/4" bolt, lock washer and nut.
4. Fasten the **mirror arm assembly** to the **mounting bracket** with two 5/16" x 1" full thread bolts, flat washers, lock washers and nuts.
5. Insert the **small tube** into the **mirror arm assembly** and secure with the **plastic mirror knob**.



Note!

Do not overtighten the plastic knob.

6. Fasten the **mirror head** to the **small pipe** with the **2" clamp** and included hardware.