



Installation Guide

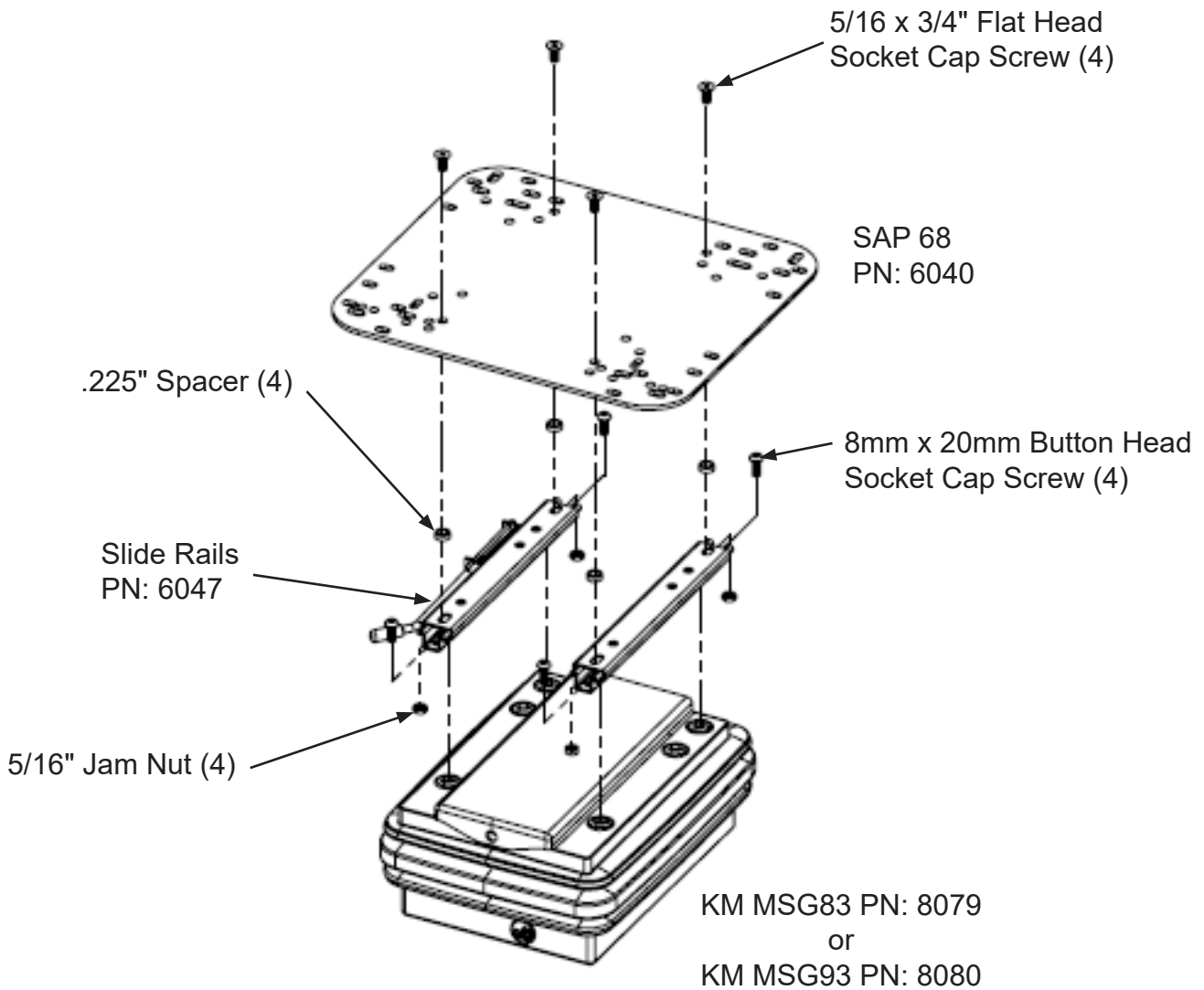
KM 402 Kit Air/Mech Installation (PN: 6787 & 6788)

1. Remove original seat and suspension from the cab.
2. Remove the original seat from the suspension.
3. Cap the hydraulic lines with the nuts and plugs provided. Cut and plug the breather line by turning a 5/16" x 1" bolt into the tube.

Installation Guide

KM 402 Kit Air/Mech Installation (PN: 6787 & 6788)

4. Bolt the slide rails to the suspension using four 8mm x 20mm button head socket cap screws. The slide rail must be assembled with the adjustment lever to the right side of the seat and suspension.
5. Bolt the SAP 68 to the slide rails with four 5/16" x 3/4" flat head socket cap screws, .225" spacers, and 5/16" jam nuts. Place the four .225" spacers between the SAP 68 and the slide rails.

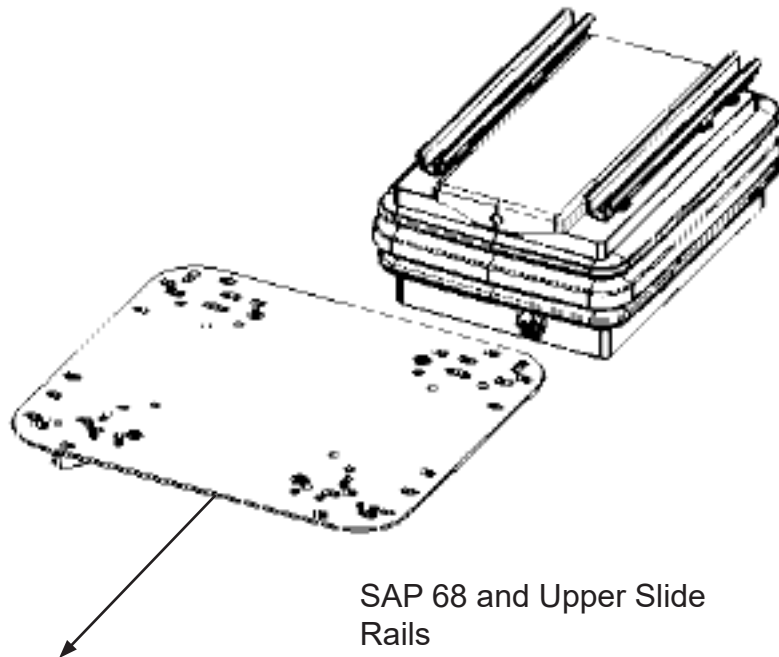


Installation Guide

KM 402 Kit Air/Mech Installation (PN: 6787 & 6788)

- 6. Pull the slide rail adjustment lever and remove the SAP 68 and upper slide rails from the suspension. You may have to bend the slide rail stops down on the rear of the upper slide rails to get the assembly to come apart.

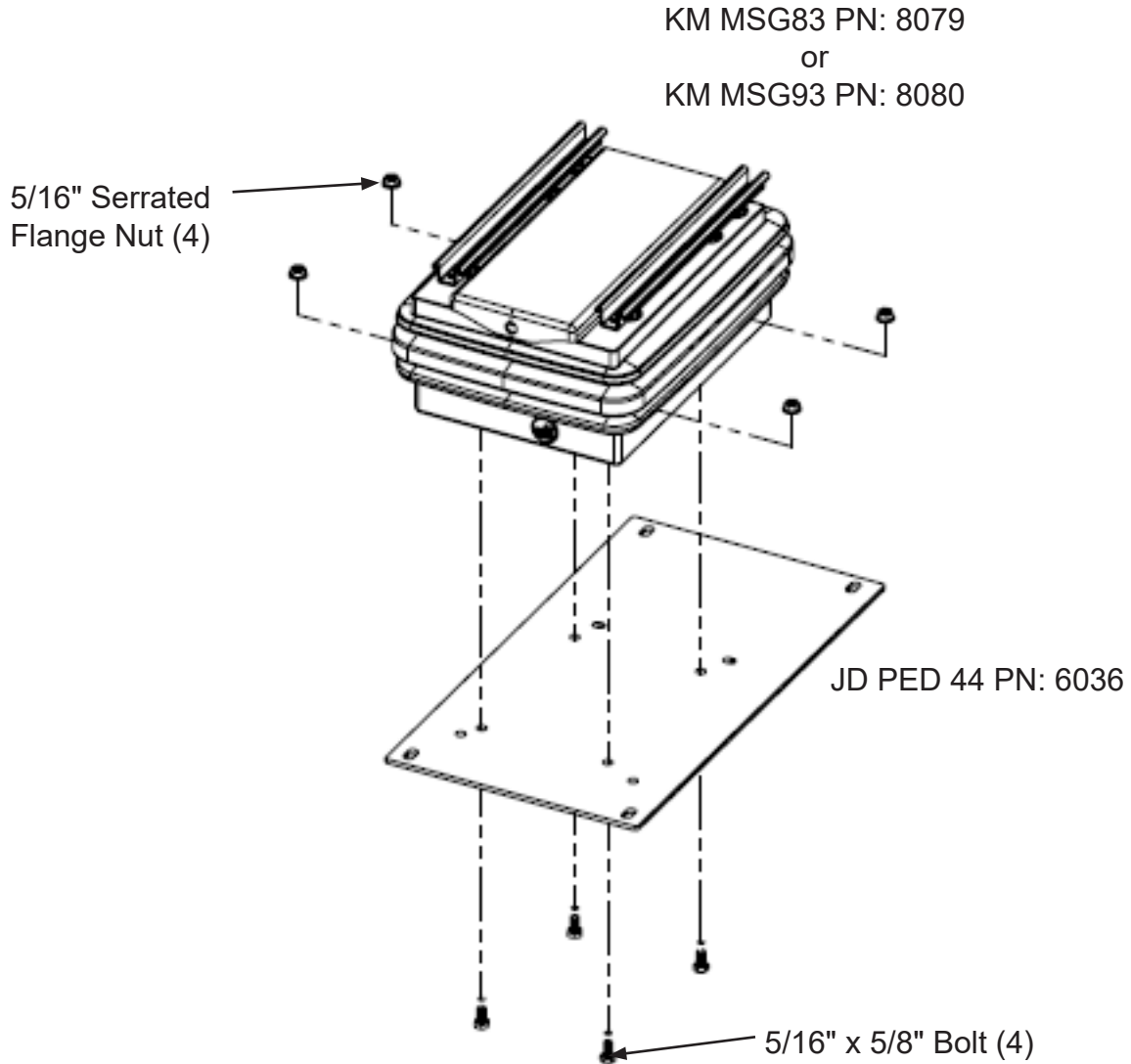
KM MSG83 PN: 8079
or
KM MSG93 PN: 8080



Installation Guide

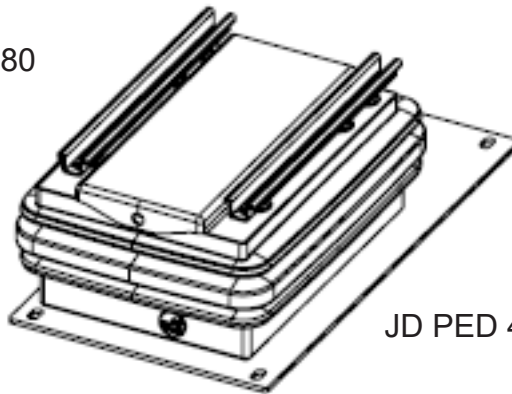
KM 402 Kit Air/Mech Installation (PN: 6787 & 6788)

7. Bolt the suspension to the JD PED 44 using four 5/16" x 5/8" bolts and serrated flange nuts. You will have to loosen the lower part of the rubber bellows to access the inside of the suspension to get the nuts onto the bolts.



8. Mount the JD PED 44 and suspension assembly to the cab deck using the original bolts.

KM MSG83 PN: 8079
or
KM MSG93 PN: 8080

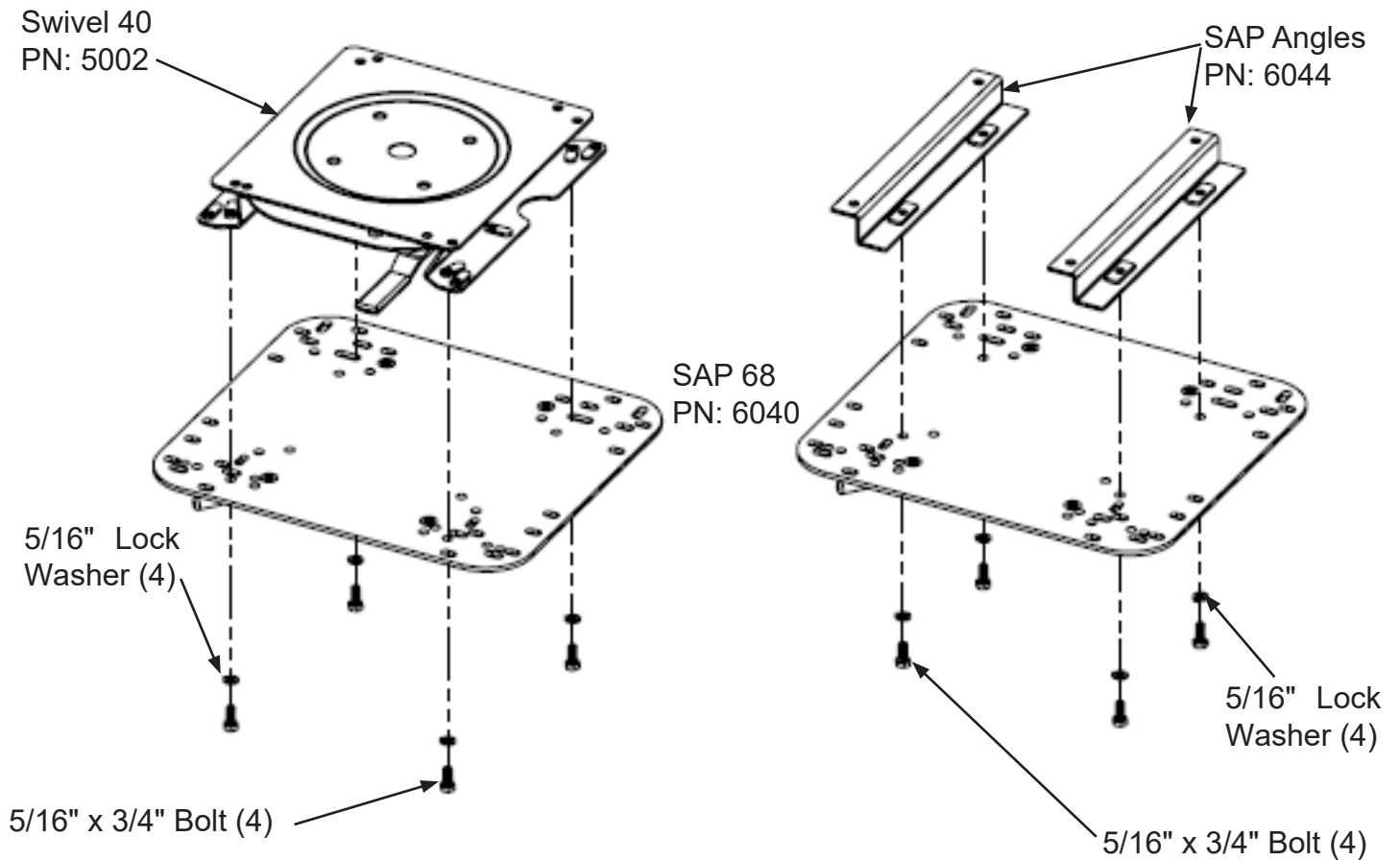


JD PED 44 PN: 6036

Installation Guide

KM 402 Kit Air/Mech Installation (PN: 6787 & 6788)

9. If the swivel 40 was purchased, mount it to the bottom of the original seat using four 5/16" x 3/4" bolts and lock washers. If the swivel was not purchased, mount the SAP angles to the bottom of the original seat using four 5/16" x 3/4" bolts and lock washers.
10. Mount the seat assembly to the SAP 68 using four 5/16" x 3/4" bolts and lock washers. If the swivel 40 was purchased, use hole pattern #2 on the SAP 68. If the SAP angles are in-stalled, use hole pattern #4 on the SAP 68.





Installation Guide

KM 402 Kit Air/Mech Installation (PN: 6787 & 6788)

11. Slide the Seat, Slide Rail, and SAP assembly back onto the suspension.
12. If the purchased suspension was air, connect it to a power and ground source. Keyed power is recommended.