



Installation Guide

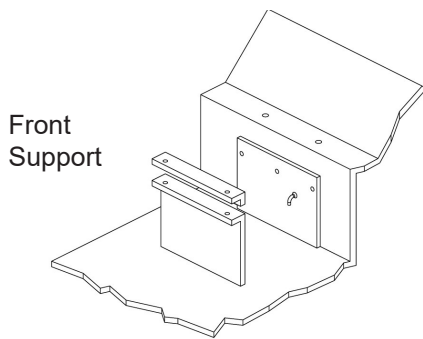
Installation Instructions to Place an Air Suspension in an AC 8000 Series Tractor Using the Original Luxury Seat without Original Swivel (PN 6507)

OEM
Original
Luxury Seat without
Original Swivel



1. Remove the original seat and suspension assembly.
2. Remove original seat from the original suspension.
3. Bolt the suspension to the tractor deck with four 5/16" x 3/4" bolts and flange nuts.
Drilling may be required.
4. Attach original seat to new suspension with 8mm x 20mm Button Head Cap Screws.
5. Locate power source and connect the suspension to power and ground.

KM MSG95
Air Suspension
PN: 8078



Cut away section
of tractor deck