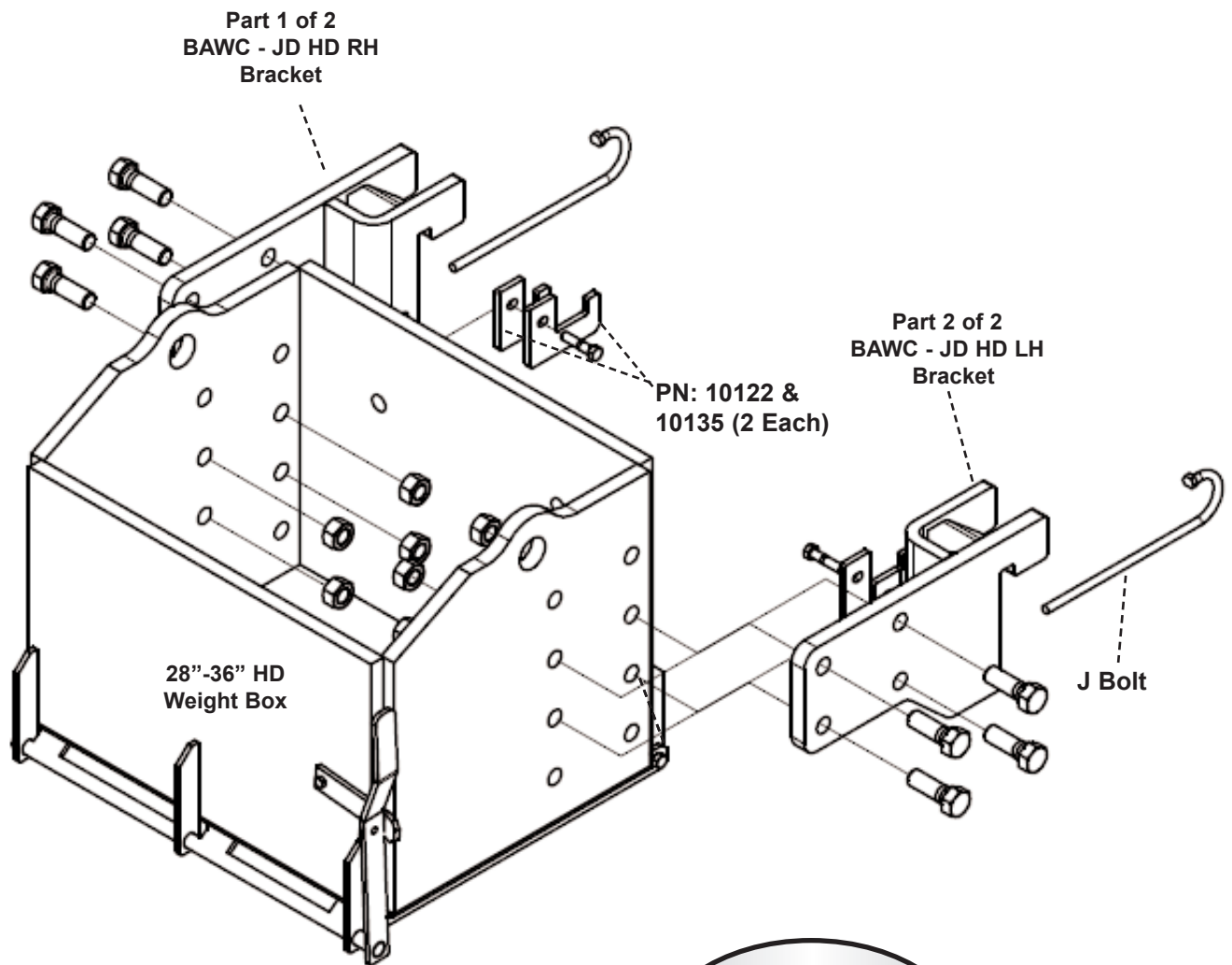


JD HEAVY DUTY BAWC 28"-36"

7000, 8000, 9000 Series

Part Number: 2478

(Heavy Duty Weight Box - 28" PN: 1813, 36" PN: 1815)



NOTE: You will not use all of the attachment hardware. You will only use one set of the three mounting hooks (**10122**, **10135** or the **J-Bolts**) depending on the weight cage. Cages that are solid on the back side will use one of the steel hooks (**PN: 10122** or **10135**). Cages that are hollow on the back side will use the **J-bolt**.

Also Includes
Weight Box
Mounting Bolt Bag
(PN: 40007)



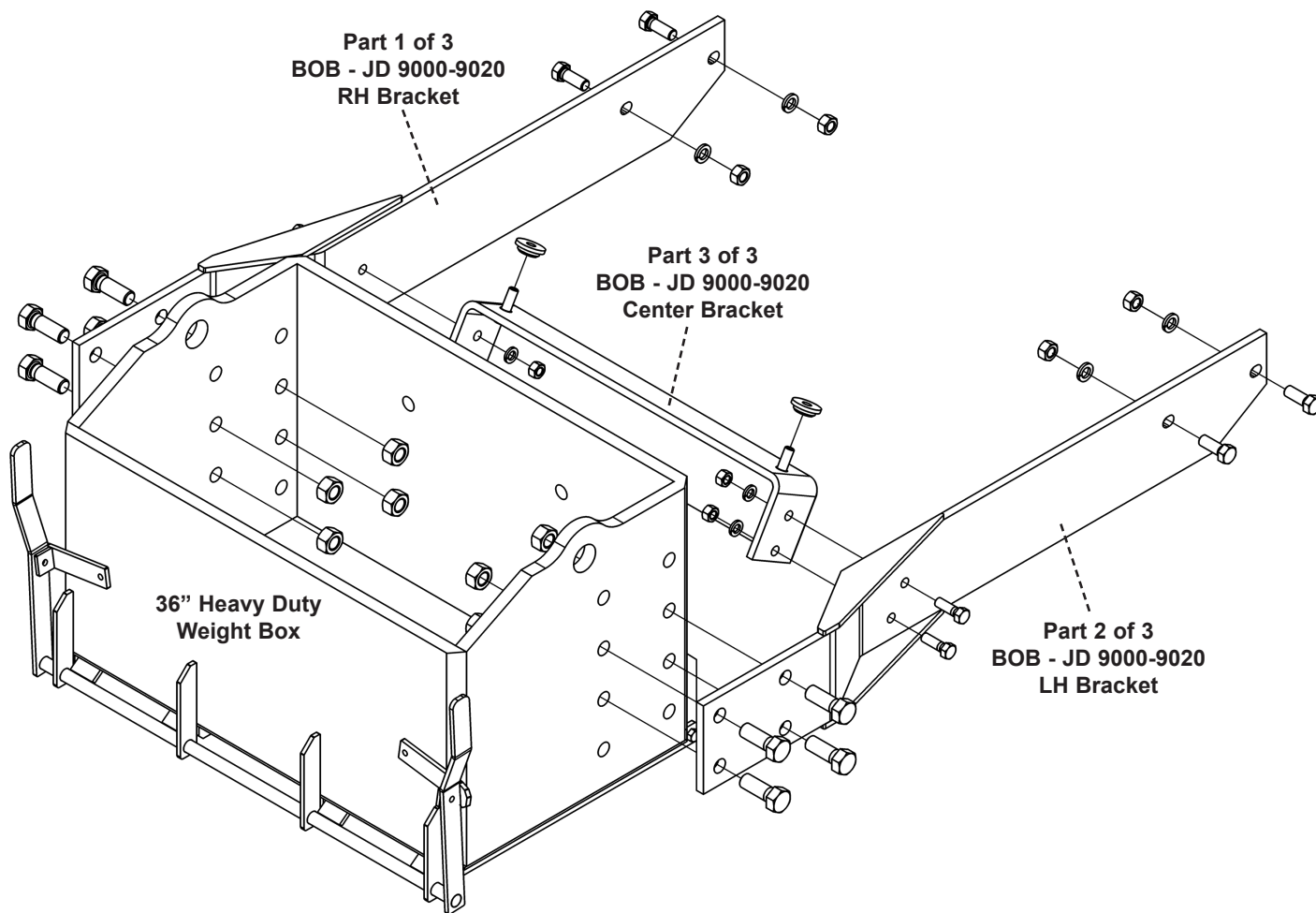
Phone - 800.328.1752
Fax - 320.329.3709
Email - sales@tractorseats.com
Web Site - www.tractorseats.com
P.O. Box 409 - 308 NW 2nd Street
Renville, MN 56284

John Deere 9000-9020 Heavy Duty BOA 36"

9100, 9120, 9200, 9220, 9300, 9320, 9400, 9420, 9520, 9620

Part Number: 2500

(36" Heavy Duty Weight Box Part Number: 1815)



Also Includes
Weight Box
Mounting Bolt Bag
(PN: 40007)

K&M
Manufacturing

Phone - 800.328.1752

Fax - 320.329.3709

Email - sales@tractorseats.com

Web Site - www.tractorseats.com

P.O. Box 409 - 308 NW 2nd Street

Renville, MN 56284