

CIH 5100-MX/NH T8000-TG

Mirrors



CHOOSE FROM



Left-Hand
Mirror
PN: 3130

OR



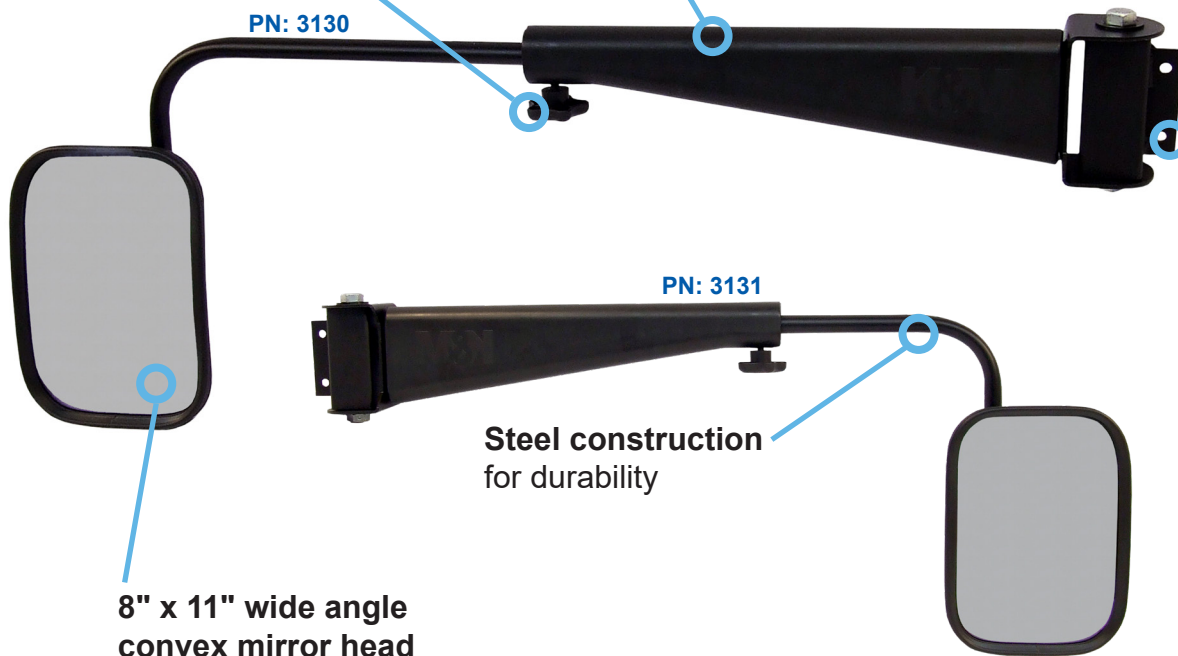
Right-Hand
Mirror
PNs: 3131



Length easily adjustable from 22" - 36" to allow sight around any implement or trailer

Durable powder coat finish

Modern Breakaway System prevents damage from obstacles



8" x 11" wide angle convex mirror head improves field of vision

Note: Mounting bracket not shown, but standard with mirror. See reverse for drawing.

- Easily adjustable and extendable to 14"
- Left-hand and right-hand mirrors sold separately
- Includes hardware, mounting bracket, and install instructions

See **REVERSE** for applications and options.



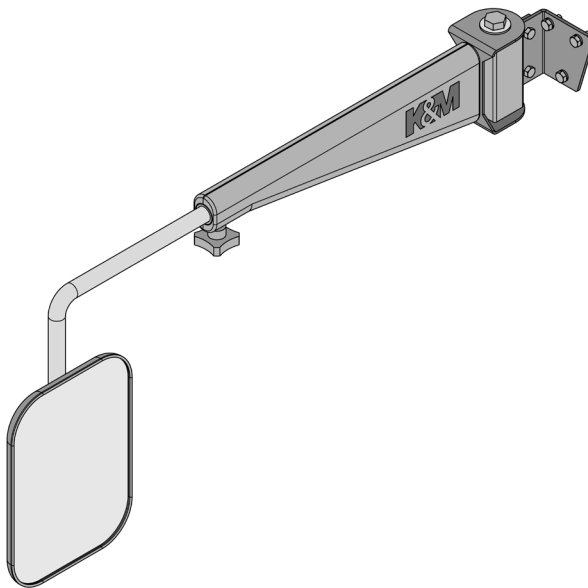
APPLICATIONS



Tractors

Standard Applications		
Tractor Make/Model	Mirror	Mirror Head
Case IH® 5100-5200 Series Maxxum, 89 Series Magnum, CX, Magnum, MX, MX Series Magnum and MX Series Maxxum Tractors 5100 Series Maxxum: 5120, 5130, 5140, 5150; 5200 Series Maxxum: 5220, 5230, 5240, 5250; 89 Series Magnum: 8910, 8920, 8930, 8940, 8950; CX Series: CX50, CX60, CX70, CX80, CX90, CX100; Magnum Series: Magnum 180, Magnum 190, Magnum 210, Magnum 215, Magnum 225, Magnum 245, Magnum 255, Magnum 275, Magnum 305, Magnum 335; MX Series: MX80C, MX90C, MX100C; MX Series Magnum: MX100, MX110, MX120, MX135, MX150, MX170; MX Series Maxxum: MX180, MX200, MX210, MX215, MX220, MX230, MX240, MX245, MX255, MX270, MX275, MX285, MX305 Replaces Case IH® Part Numbers: 131927A2, 719610006, 136294A1	PN: 3130 Left-Hand) & 3131 (Right-Hand) <i>*Note: will only work if tractor had original 3-bolt extendable mirror mount in cab corner</i>	PN: 3110 (Rectangular Convex)
New Holland® T8000 and TG Series Tractors T8000 Series: T8010, T8020, T8030, T8040, T8050; TG Series: TG210, TG215, TG230, TG245		

PN: 3130 VIEW WITH BRACKET



PN: 3131 VIEW WITH BRACKET

