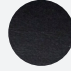


Oliver/White Series

Seat & Suspension Kits



CHOOSE FROM

	OR		OR		OR	
KM 441 w/ MSG83 Mechanical Suspension PN: 6814 Black Vinyl		KM 440 w/ MSG83 Mechanical Suspension PN: 6815 Black Fabric		KM 441 w/ MSG93 Air Suspension PN: 6816 Black Vinyl		KM 440 w/ MSG93 Air Suspension PN: 6817 Black Fabric

Pedestal and Install Kit included.

Black Cordura fabric is water resistant



440 Uni Pro™ Assembly shown

PN: 6815

MSG83 Mechanical Suspension shown



Fold-down and adjustable backrest adds comfort and versatility



Durable document pouch stores owner's manual and other valuables

3-position lumbar supports lower back

Cut and sew vinyl means a more rugged, comfortable cover

Black vinyl is water-resistant

441 Uni Pro™ Assembly shown

PN: 6816

Adjustable slide rails from 6.75" - 13" side-to-side for universal fit

MSG93 Air Suspension shown



Rubber molded suspension cover keeps suspension free of dirt and dust

See **REVERSE** for applications, drawings and options.

- Armrests standard on KM 440, optional on KM 441
- Narrow air (PN: 6816, 6817) or mechanical (PN: 6814, 6815) suspension
 - Suspension frame width of 8.92"
 - Self-contained 12-Volt compressor and front controls (PN: 6816, 6817)
 - Three-position height adjustment and weight indicator (PN: 6814, 6815)
 - Manual (PN: 6816, 6817) or flip handle (PN: 6814, 6815) weight adjustment



APPLICATIONS

OPTION



Tractors

8025 Armrest Kit

Fits Oliver® and White® Tractors

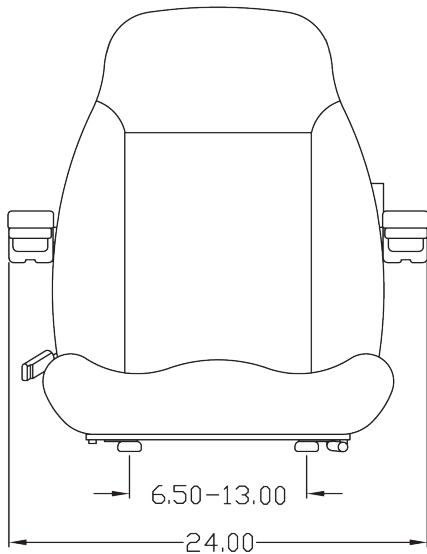
*OEM seat with Bostrom suspension - weight adjustment knob behind the backrest of original seat

*OEM seat with Grammer suspension - weight adjustment on left side of original suspension

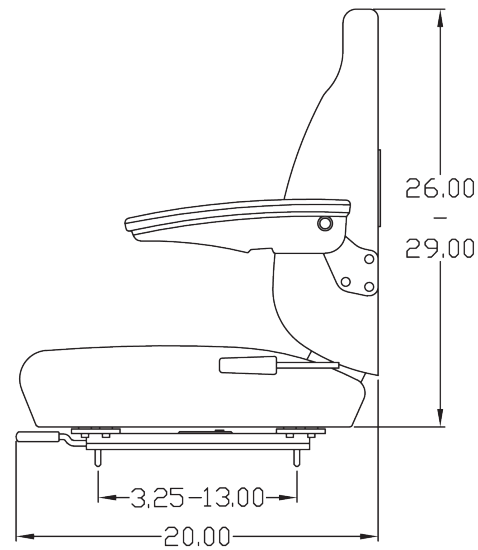
Oliver® Tractors 77, 88, 500, 550, 600, 700, 770, 990, 1250, 1250-A, 1255, 1265, 1270, 1355, 1365, 1370, 1450, 1465, 1470, 1550, 1555, 1600, 1650, 1655, 1750, 1755, 1800, 1850, 1855, 1870, 1900, 1950, 1950T, 1955, 2050, 2150, 2155, 2250, 2255, 2270, 2655, Super 44, Super 55, Super 66, Super 77, Super 88, Super 99

White® Tractors 100, 125, 145, 160, 170, 195, 2-30, 2-32, 2-35, 2-44, 2-45, 2-50, 2-55, 2-60, 2-65, 2-70, 2-75, 2-85, 2-88, 2-105, 2-110, 2-135, 2-150, 2-155, 2-180, 60 American, 6065, 6085, 6090, 6105, 6124, 6125, 6144, 6145, 6175, 6195, 6215, 6410, 6510, 6710, 6810, 80 American, Field Boss 16, Field Boss 21, Field Boss 31, Field Boss 37

KM 440 FRONT VIEW

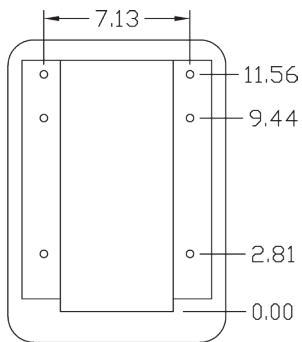


KM 440 SIDE VIEW

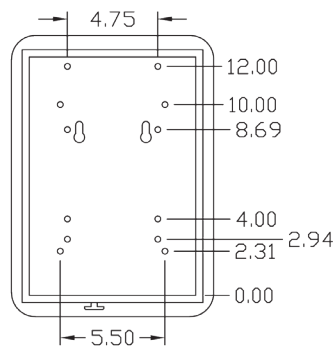


*Drawings shown with standard armrests. Seat dimensions are the same for the KM 441 except armrests are optional.

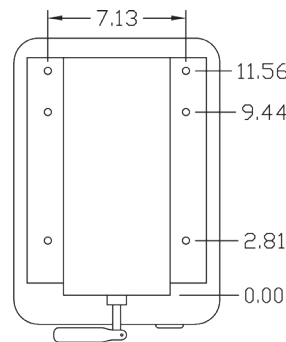
MSG93 TOP VIEW



MSG93 BOTTOM VIEW



MSG83 TOP VIEW



MSG83 BOTTOM VIEW

