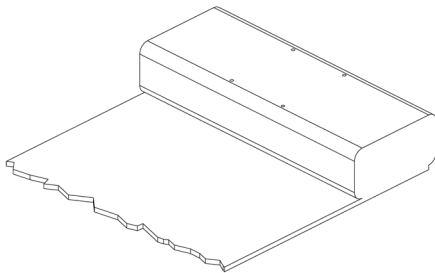
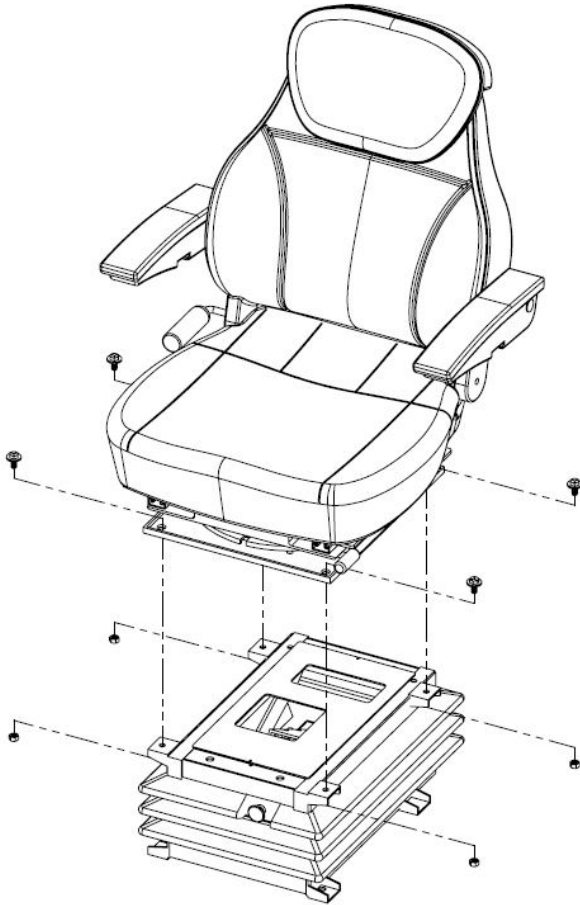


1. Remove the original seat and suspension assembly from the tractor.
2. Bolt the suspension assembly to the tractor cab deck with original bolts from step 1. Drilling may be required.
3. Bolt the seat and swivel assembly to the suspension assembly using spacers and M8 bolts and nuts provided in the bolt bag. (Mechanical suspensions will not use nuts.)
4. Locate power cable coming from the lower part of the suspension and connect to 12v power source from tractor.



Cut away of  
tractor deck