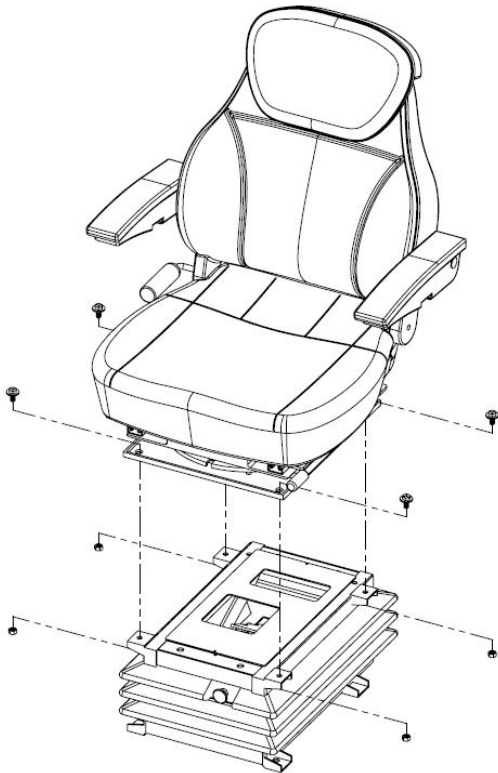


Installation Instructions for KM 1005 Uni Pro Seat & Suspension in Case IH 71-89 Series Magnum & 9200-9300 Series Tractors



1. Remove the original seat and suspension from the tractor by removing four nuts from S brackets located on the floor of the tractor. Remove seat and brackets leaving spacers and studs in place.
Unplug the 12 volt wire harness.
2. Bolt the seat and swivel assembly to the suspension assembly using spacers and M8 bolts and nuts provided in the bolt bag. (Mechanical suspensions will not use nuts.)
3. Place the seat and pedestal on the four stud bolts and spacers where the original seat was removed. Use the original hardware to fasten down the seat.
4. Locate power cable coming from the lower part of the suspension and connect to the 12volt connection of the tractor. Use the wire harness adapter provided in the kit.

PN: 6124

