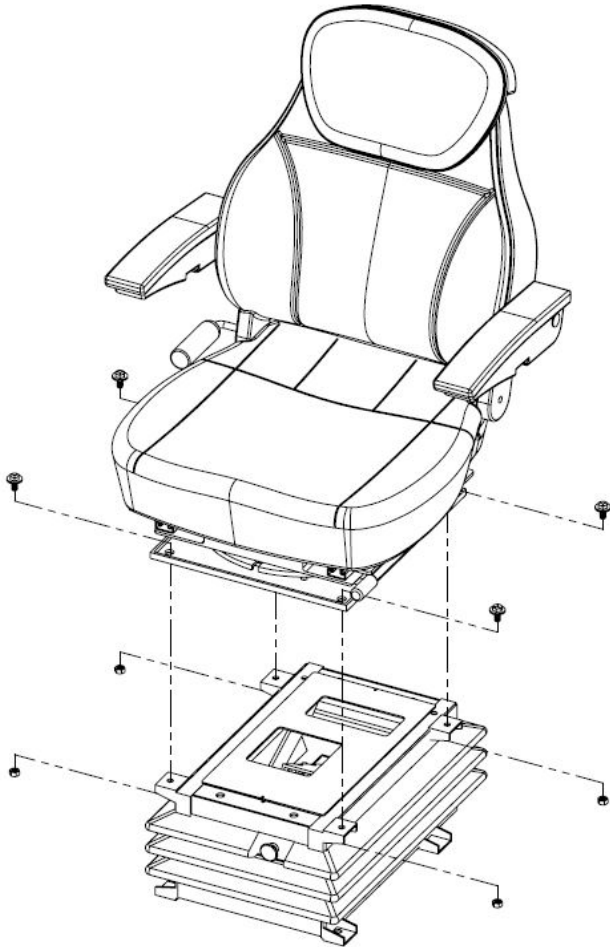
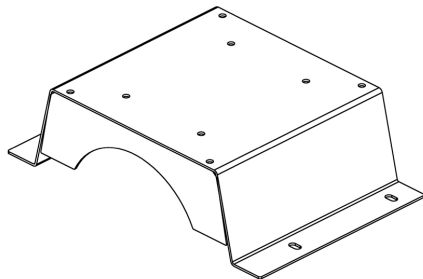


Installation Guide 6410-6411

Installation Instructions for KM 1005 Uni Pro Seat & Suspension in Case 870-1370 Tractors with a Comfort or Agri-King Seat



1. Remove the original seat and suspension assembly from the tractor. Keep the original bolts.
2. Bolt the PED Case 97A to the tractor deck with the original bolts.
3. Bolt the suspension assembly to the pedestal with four 5/16" x 3/4" bolts and flange nuts.
4. Bolt the seat and swivel assembly to the suspension assembly using spacers and M8 bolts and nuts provided in the bolt bag.
(Mechanical suspensions will not use nuts.)
5. Locate power cable coming from lower part of the suspension and connect to 12v power source from tractor.



PED CASE 97A
PN: 6007