

Cat/Mitsubishi

Forklift Seat & Mechanical Suspension



Black Vinyl
PN: 8647



Mechanical lumbar support provides extra back support

100 - 375 lb weight adjustment with visual indicator

Slide rails provide fore/aft adjustment ensuring operator comfort

Hip restraint guards for safety and to maintain seating position

Orange retractable seat belt with switch for added safety

Adjustable backrest in increments of 2.5° adds comfort and versatility

- **Grammer MSG65/531 Seat**
- Low-profile mechanical suspension with travel of 2.38"
- Vacuum formed narrow seat cushion of 18.5" with asymmetrical backrest shape to make driving backwards more comfortable
- Comes standard with operator presence switch
- Includes necessary 12.6" rail spacing with ball slide rail mounting for direct fit

See **REVERSE** for applications, drawings and options.



TRACTORSEATS.com CONSTRUCTIONSEATS.com

800-328-1752

308 NW 2nd Street • Renville, MN 56284



APPLICATIONS



Forklifts

Fits - Caterpillar® Forklifts: DP20N, DP25N, DP28N, DP30N, DP33N, DP35N, DP40N, DP45N, DP50N, DP55N, DP50CN, DP70N1, DP100N2, DP120N2, DP135N2, DP150N2, DP160N2; EC15N, EC18N, EC23N, EC25N, EC30N; EC25EN; EC18LN, EC25LN, EC30LN; GC35K, GC40K, GC45K, GC55K, GC60K, GC70K, GC40K STR, GC45K STR, GC55K STR, GC70K STR; GP15N, GP18N, GP20N, GP25N, GP28N, GP30N, GP33N, GP35N, GP40N, GP45N, GP50N, GP55N; GP20CN, GP50CN; 2C3000, 2C3500, 2C4000, 2C5000, 2C5500, 2C6000, 2C6500, 2CC4000; 2ET2500, 2ET3000, 2ET3500, 2ET4000; 2ETC3000, 2ETC3500; 2EP5000, 2EP6000, 2EP6500, 2EP8000, 2EP8500, 2EP9000, 2EP10000, 2EP11000; 2EPC5000, 2EPC6000, 2EPC7000, 2EPC8000, 2EPC9000

Mitsubishi® Forklifts: FBC15N, FBC18N, FBC23N, FBC25N, FBC30N; FBC25EN; FBC18LN, FBC25LN, FBC30LN; FD20N, FD25N, FD28N, FD30N, FD33N, FD35N, FD100N, FD120N, FD135N, FD150AN, FD160AN; FG15N, FG18N, FG20N, FG25N, FG28N, FG30N, FG33N, FG35N, FG20CN; FGC15N, FGC18N, FGC20N, FGC25N, FGC30N, FGC33N, FGC20CN; FGC35K, FGC40K, FGC55K, FGC60K, FGC70K, FGC45K C
(Replaces Grammer Number 1446044)

OPTIONS

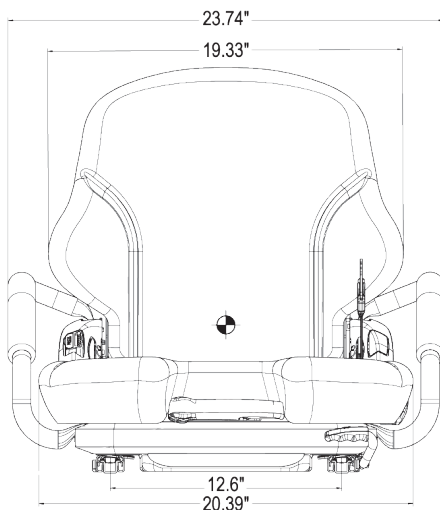
- 7885 LH Armrest
- 7884 RH Armrest
- 8015 Headrest (Black Vinyl)
- 8450 Document Pouch
- 7918 Isolator Kit
- 8065 Seat/Backrest Cover Kit (Alcantara Two-Tone Gray Fabric)
- 8066 Backrest Extension Cover Kit (Alcantara Two-Tone Gray Fabric)

MAINTENANCE ITEMS

Only fit the K&M seat assembly.

- 8151 Replacement Backrest Cushion (Black Vinyl)
- 8152 Replacement Seat Cushion (Black Vinyl)
- 7887 Replacement Retractable Seat Belt Kit
- 8370 Replacement Seat Belt Cover Kit
- 8466 Replacement Backrest Kit
- 8399 Replacement Backrest Adjust. Handle Kit
- 8672 Replacement Operator Presence Switch
- 8088 Replacement Weight Adjust Handle Kit
- 8593 Replacement Weight Adjust Handle & Block
- 8674 Replacement Wire Harness

FRONT VIEW



SIDE VIEW

