

# JD R & R-RT Series

Monitor Bracket



## CONVENIENCE CLOSE AT HAND

The newly designed monitor bracket has a sleek contoured design that will fit your cab perfectly.



PN: 3174

R Series 7"  
PN: 3174

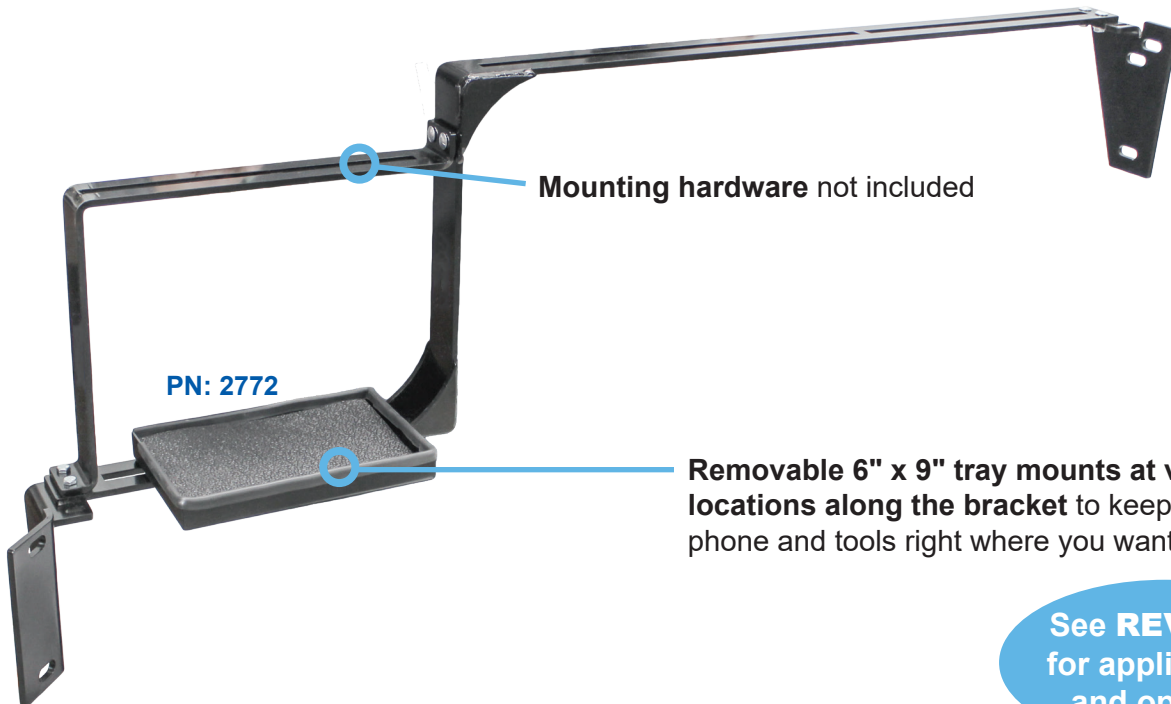
OR

R-RT Series  
10.4"  
PN: 2772



Mounting hardware not included

Removable 6" x 9" tray mounts at various locations along the bracket to keep your cell phone and tools right where you want them



PN: 2772

Mounting hardware not included

Removable 6" x 9" tray mounts at various locations along the bracket to keep your cell phone and tools right where you want them

See **REVERSE**  
for applications  
and options.

- Well-suited for use with multiple monitors
- Less restriction of operator's view, improving safety
- Attaches quickly and easily
- Allows for the use of normal bolts to mount monitors or optional RAM type mounts available (monitor mounting hardware not included)
- Assembly hardware, 6" x 9" tray and tray pad included
- Additional 6" x 9" or 9" x 9" monitor bracket trays available

RAM Mount Diamond Base (Optional)



TRACTORSSEATS.com

800-328-1752

308 NW 2nd Street • Renville, MN 56284



## APPLICATIONS



Tractors

### PN: 3174 Fits - John Deere® R Series Tractors:

**7000R Series:** 7200R, 7215R, 7230R, 7260R, 7280R

**8000R Series:** 8225R, 8235R, 8245R, 8260R, 8270R, 8285R, 8295R, 8310R, 8320R, 8335R, 8345R, 8360R

**8000RT Series:** 8295RT, 8310RT, 8320RT, 8335RT, 8345RT, 8360RT

**9000R 4WD Series:** 9360R, 9370R, 9410R, 9420R, 9460R, 9470R, 9510R, 9520R, 9560R, 9620R

**9000RT Series:** 9460RT, 9470RT, 9510RT, 9520RT, 9560RT, 9570RT

*\*Please Note: ONLY fits tractors with 7" - 8" monitors on the right hand command center. Will not work with a 10" monitor on the command center.*

### PN: 2772 Fits - John Deere® R and RT Series Tractors:

**7000R Series:** 7200R, 7210R, 7215R, 7230R, 7250R, 7260R (SN 080000 & Below), 7270R, 7280R (SN 080000 & Below), 7290R

(SN 080001 & Up), 7310R (SN 080001 & Up)

**8000R Series:** 8225R, 8235R, 8245R, 8260R (SN 016001-090000), 8270R, 8285R, 8295R, 8310R, 8320R (SN 001001-052200), 8335R (SN 052201-055000), 8335R (SN 090001 & Up), 8345R (SN 000101-053099), 8360R (SN 016001-090000), 8370R (SN 055001 & Up), 8370R (SN 09001 & Up)

**8000RT Series:** 8295RT, 8310RT, 8320RT, 8335RT, 8345RT (SN 900101-907100), 8360RT (SN 902501-912000), 8370RT (SN 912001 & Up)

**9030 Series:** 9230, 9330, 9430, 9530, 9630

**9000R Series:** 9360R, 9370R, 9410R, 9420R, 9460R (SN 000101-001999), 9470R, 9510R, 9520R, 9560R (SN 000101-014999), 9570R, 9620R (SN 015000 & Up)

**9000RT Series:** 9460RT, 9470RT, 9510RT, 9520RT, 9560RT (SN 900101-905999), 9570RT (SN 906000 & Up)

**9000RX Series:** 9470RX, 9520RX, 9570RX, 9620RX

**9000T Series:** 9430T, 9530T, 9630T

*\*Please Note: ONLY fits tractors with 10.4" monitors on the right hand command center. Will not work with a 7" - 8" monitor on the command center.*

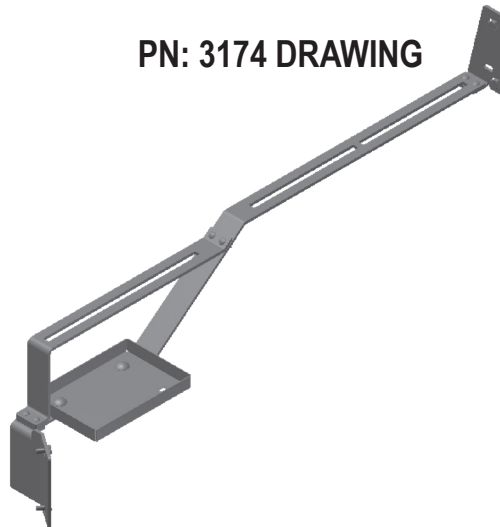
## OPTIONS

3176 6" x 9" Monitor Bracket Tray and Pad

3177 9" x 9" Monitor Bracket Tray and Pad

2661 RAM Mount Diamond Base 1" Ball

PN: 3174 DRAWING



PN: 2772 DRAWING

