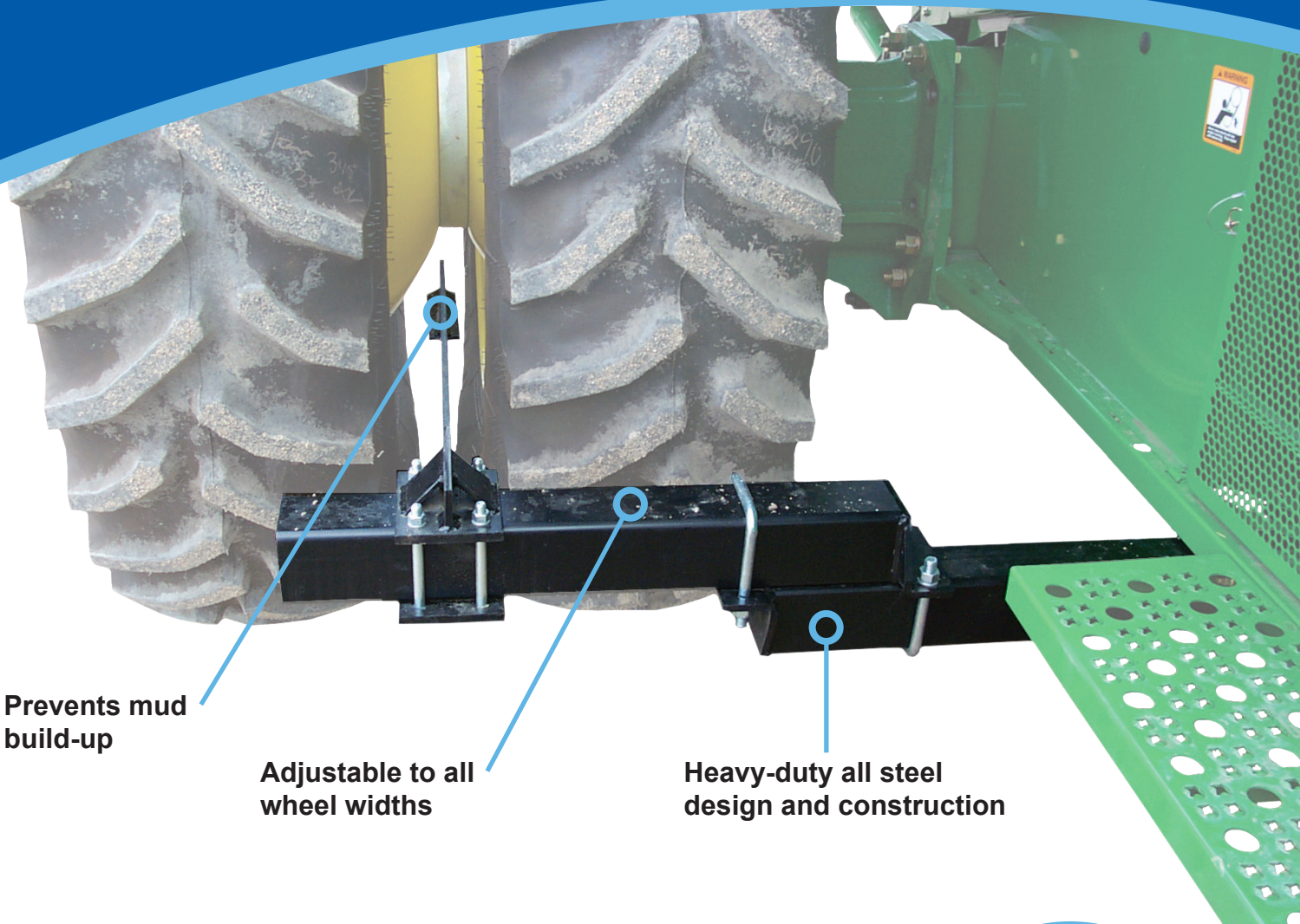


KM Mud Scraper Kits



Prevents mud build-up

Adjustable to all wheel widths

Heavy-duty all steel design and construction

- New split main bar design (easily bolts together)
- Easy to install
- No drilling required (**minimal drilling required on PN: 1202*)
- All mounting hardware included
- Extension kits available
 - Extends on both sides
 - Adds a second stinger for combines with triple tires
- **NEWLY DESIGNED TO FEATURE A SPLIT MAIN BAR FOR EASIER HANDLING**

See **REVERSE** for all mud scraper part numbers and mounting kit installation instructions.

TRACTORSFATS.com



800-328-1752

308 NW 2nd Street • Renville, MN 56284



APPLICATIONS



Combines

Fits –

CIH 16-21-23/IH 14 Series (PN: 1201)

Case IH® 1620, 1640, 1644, 1660, 1666, 1680, 1688, 2144, 2166, 2188, 2344, 2366, 2377, 2388, 2588; **International Harvester® 14 Series** 1420, 1440, 1460, 1480

John Deere 9000 Series (PN: 1202)

John Deere® 9400, 9410, 9500, 9510, 9600, 9610

John Deere STS/S Series (PN: 1203)

John Deere® STS Rotor Series 9550, 9560, 9570, 9650, 9660, 9670, 9750, 9760, 9770, 9860, 9870; **John Deere® S Series** S550, S560, S660, S670, S680, S690, S760, S770, S780, S790

CIH AFX/NH CR Series (PN: 1204)

Case IH® AFX 7250-9250 Series 7250, 8010, 8120, 8230, 8240, 8250, 9120, 9230, 9240, 9250; **New Holland® CR970 Series** CR970, CR9065, CR9070, CR9080

CIH 5088-7150 Series (PN: 1206)

Case IH® 5088, 6088, 7088, 5130, 5140, 5150, 6130, 6140, 6150, 7130, 7140, 7150

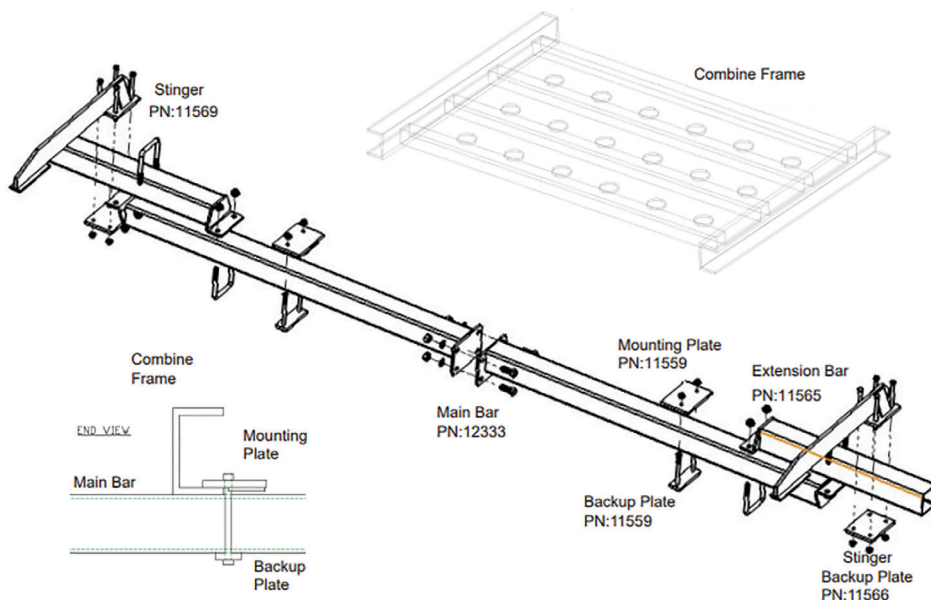
CIH AFX/NH CR Series (PN: 1207)

Case IH® AFX 7010 Series 7010, 7120, 7230, 7240; **New Holland® CR960 Series** CR920, CR940, CR960, CR9040, CR9060

OPTIONS

1201	CIH 16-21-23/IH 14 Series Combine Mud Scraper
1202	JD 9000 Series Combine Mud Scraper
1203	JD STS/S Series Combine Mud Scraper
1204	CIH AFX/NH CR Combine Mud Scraper
1205	Combine Mud Scraper Extension Kit
1206	CIH 5088-7088 Series Combine Mud Scraper
1207	CIH AFX/NH CR Combine Mud Scraper

PN: 1203 MOUNTING KIT INSTALLATION INSTRUCTIONS



1. Bolt the two sections of the main bar together with four 3/4-10" x 2" bolts, lock washers and nuts.
2. Attach the main bar to the combine frame using the mounting plates, backup plates, 1/2" x 6" bolts and lock washers.
3. Attach the extension bars to the main bar at the desired position. Fasten with 5/8" x 4" U bolts and flange nuts.
4. Attach the stingers to the extension bar using the stinger backup plate, 1/2" x 6" bolts and flange nuts.