

# KM 54

## Uni Pro™ Seat Assembly



Black Vinyl  
PN: 8545



Seamless molded and contoured foam cushions for added comfort

Seat belt fixation points for added safety

### APPLICATIONS



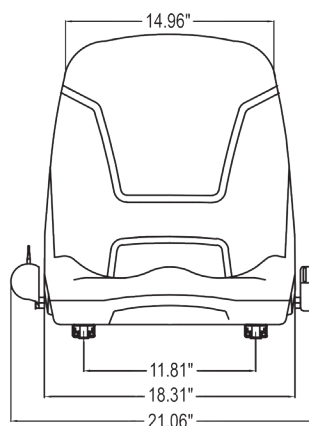
Construction

Also: Material Handling and Mini Excavator Equipment

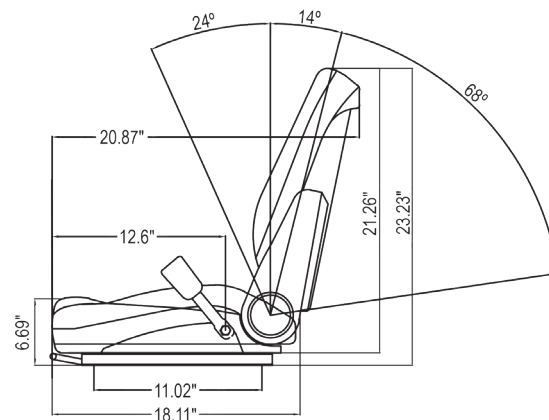
Mounting patterns include (W x L):

- 11.75" x 12"

FRONT VIEW



SIDE VIEW



- 24° - 68° backrest angle adjustment
- Seat dimensions: 19.5" x 26.5" x 20.5" (W x H x D)

TRACTORSSEATS.com CONSTRUCTIONSEATS.com

800-328-1752

308 NW 2nd Street • Renville, MN 56284

