


KM 226

Uni Pro™ Seat & Suspension



CHOOSE FROM


Black Vinyl
PN: 8658

OR


Grey Vinyl
PN: 8660



PN: 8660

Document pouch to store owner's manual and other valuables

milsco®

Contoured foam cushions for added comfort

PN: 8658



Adjustable lumbar supports your lower back with multiple settings

110 - 331 lb manual weight adjustment with ride indicator

Mechanical suspension with 2.36" of travel for comfortable ride

Slide rail width of 11.25" with 6" fore/aft adjustment ensuring operator comfort

- **Milsco VersaCompact™ V7300 Seat**
- Operator presence switch meets OEM safety standards
- Adjustable backrest angle (full fold to +30°)
- Seat width is 18.5"
- Seat belt fixation points
- Drain hole prevents water build-up
- Optional fold-up armrests available
- Conforms with IT1 & IT2 (Lift Trucks), and ISO7096 - EM6, EM8 & EM9 specifications

See **REVERSE** for applications, drawings and options.

TRACTORSEATS.com CONSTRUCTIONSEATS.com TURFSEATS.com



800-328-1752

308 NW 2nd Street • Renville, MN 56284



APPLICATIONS



Forklifts



Lawn Mowers



Skid Steers

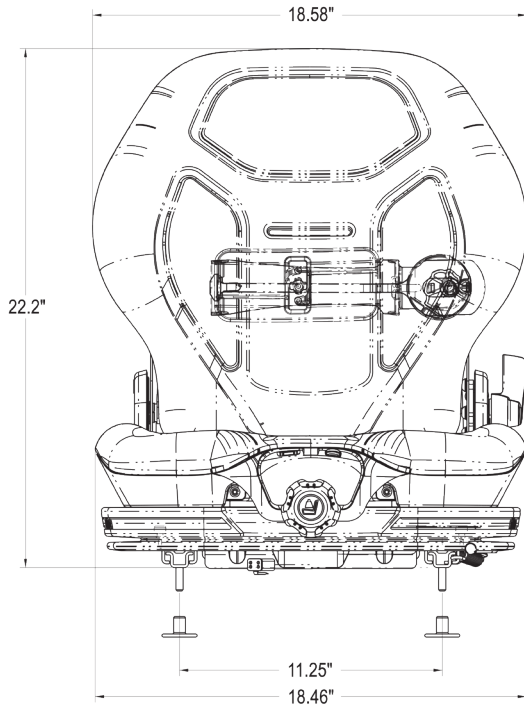
Fits - Agriculture, Construction, Industrial, Skid Steer and Turf Equipment

Ideal for Bobcat® Skid Steers; Case® Skid Steers, Caterpillar® Forklifts, Skid Steers and Telehandlers, Ditch Witch® Trenchers, Gehl® Skid Steers®, Genie® Telehandler, Gradall® Telehandlers, JCB® Telehandlers, JLG® Telehandlers, John Deere® Skid Steers, Komatsu® Excavators, Kubota® Compact Tractor, Lull® Telehandlers, Mustang® Skid Steers, New Holland® Skid Steers, Skytrak® Telehandlers, and Ariens®, Bad Boy®, Dixie Chopper®, Dixon®, Exmark®, Ferris®, Grasshopper®, Gravelly®, Husqvarna®, Hustler®, Jacobson®, John Deere®, Kubota®, New Holland®, Scag®, Simplicity®, Walker® and Woods® Lawn Mowers

OPTIONS

- 8659 Armrest Kit
- 7925 45.5" Retractable Seat Belt
- 8443 47" Retractable Seat Belt with Switch
- 8590 51.5" Orange Retractable Seat Belt

FRONT VIEW



SIDE VIEW

