

# KM 20

## Uni Pro™ Seat & Suspension



### CHOOSE FROM

- High Back - Black Vinyl  
PN: 8113
- OR
- Low Back - Black Vinyl  
PN: 8402
- OR
- Low Back - Black/Gray Matrix Fabric  
PN: 8403



PN: 8402

PN: 8403

110 - 285 lb weight adjustment

Backrest angle adjustment knob for added comfort

110 - 285 lb weight adjustment

Slide rails provide 6" fore/aft adjustment ensuring operator comfort



PN: 8113



Heavy-duty vacuum formed black vinyl cover

High Back Dimensions:  
25" (H); 21.65" (D)

Low Back Dimensions:  
20.08" (H); 21.65" (D)

See **REVERSE** for applications, drawings and options.

- **Grammer MSG20 Seat**
- Construction and material handling seat with low-profile mechanical suspension
- 2.4" suspension stroke
- Shock absorber
- Accepts operator presence switch
- Armrest kit (optional)
- Replacement cushions available
- Multiple mounting patterns

TRACTORSEATS.com CONSTRUCTIONSEATS.com

800-328-1752

308 NW 2nd Street • Renville, MN 56284



## APPLICATIONS



Forklifts

**Fits - Bomag® Rollers:** BW90AD-2, BW120AD-4, BW120SL-5, BW124DH-40, BW124PDH-40, BW145D-40

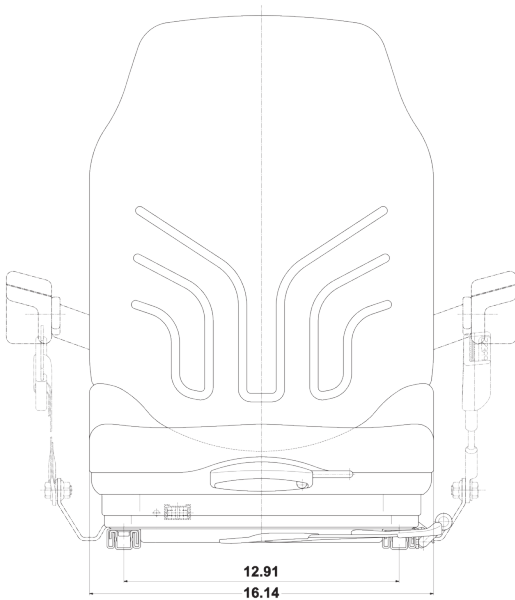
**Caterpillar® Forklifts:** EC25K, F35, GC18K, GC20K, TC30, GP40KL, GP50K, M50D, M100D

**Dynapac® Roller:** CC122

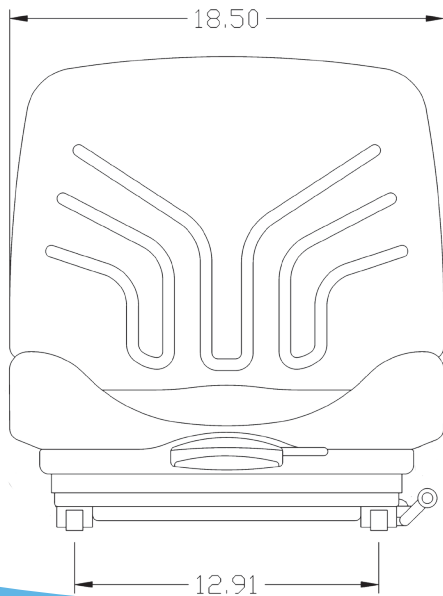
**Hamm® Rollers:** HD8, HD10C, HD12VV

**Ingersoll Rand® Roller:** DD24

### FRONT VIEW - HIGH BACK



### FRONT VIEW - LOW BACK



## OPTIONS

- 8114 LH Armrest
- 8115 RH Armrest
- 7925 45.5" Retractable Seat Belt
- 8443 47" Retractable Seat Belt with Switch
- 8590 51.5" Orange Retractable Seat Belt
- 8478 Operator Presence Switch Kit

## MAINTENANCE ITEMS

- 8533 Replacement Backrest Panel Kit
- 8116\* Replacement Seat Cushion - High Back (Black Vinyl)
- 8117\* Replacement Backrest Cushion - High Back (Black Vinyl)
- 8425\* Replacement Seat Cushion - Low Back (Black Vinyl)
- 8401\* Replacement Backrest Cushion - Low Back (Black Vinyl)

\*Replacement cushions fit the Grammer MSG20 Seat.

### SIDE VIEW - LOW BACK

