

# KM 132

## Uni Pro™ Hinged Bucket Seat



Yellow Vinyl  
PN: 8280

**milsco**®



Plastic puck for hinge pin placement



Drain hole prevents water build-up

Durable blow molded plastic frame is corrosion resistant



➔ **Note:** Seat is a drop in replacement. Simply remove the existing seat by removing the pin, removing the seat switch and installing the new seat and seat switch.

See **REVERSE** for applications, drawings and options.

- Replacement seat for hinged panned 15" tall backed seat
- Ergonomic cushion: 18.75" x 15.5" (W x H)

**TRACTORS**EATS.com **TURFS**EATS.com



**800-328-1752**

308 NW 2nd Street • Renville, MN 56284



## APPLICATIONS



Tractors



Lawn Mowers

## OPTIONS

- 7947 Armrest Kit
- 8666 Operator Presence Switch (Normally Open)

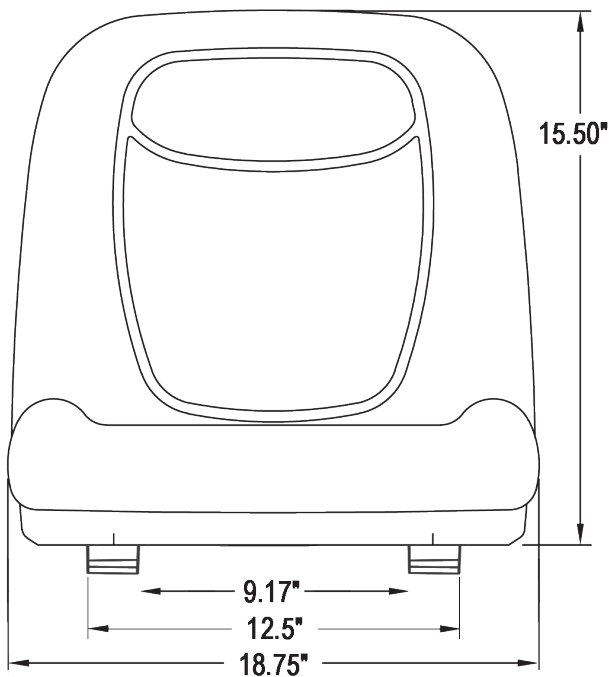
### Fits - John Deere® Lawn Mowers

Replaces John Deere® Numbers [AUC13500](#), [AUC11188](#), [AM136044](#)

**GT Series:** GT225, GT235, GT235E, GT242, GT245, GT262, GT275;

**GX Series:** GX255, GX325, GX335, GX345, GX355; **LX Series:** LX172, LX173, LX176, LX178, LX186, LX188, LX255, LX266, LX277, LX279, LX280, LX288, LX289; **X300 Series:** X300, X300R, X304, X305R, X310, X320, X324, X330, X340, X350, X350R, X354, X360, X370, X380, X384, X390, X394; **X500 Series:** X500, X520, X530, X534, X540, X570, X580, X584

### FRONT VIEW



### SIDE VIEW

